

INSTALLATION INSTRUCTIONS FOR SQUARE AND ROUND CONCORD

1. WARNING: DISCONNECT POWER INSTALLATION OR SERVICING.

READ INSTRUCTIONS CAREFULLY
--FAILURE TO DO SO COULD
RESULT IN PERSONAL INJURY.
RETAIN INSTRUCTIONS FOR SERVICING.

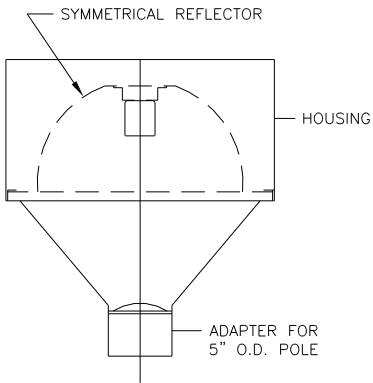
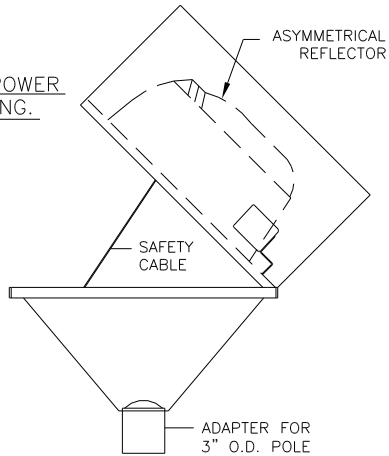
2. UNPACK FIXTURE.
3. WIRE FIXTURE TO SERVICE LEADS.
4. SLIP FIXTURE ASSEMBLY INTO POLE TOP AND SECURE WITH SET SCREWS PROVIDED IN POLE.

5. TO LAMP, LOOSEN (2) HOUSING CLOSURE SCREWS AND LIFT HOUSING OPEN.

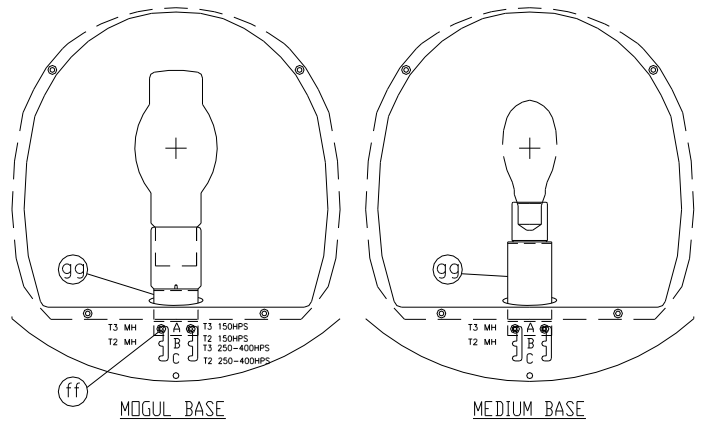
6. FOR BEST LAMP CONTACT IN SOCKET: TIGHTEN LAMP, LOOSEN, THEN RETIGHTEN.

7. BEFORE ENERGIZING LUMINAIRE MAKE CERTAIN THAT:

- ** LINE VOLTAGE CORRESPONDS TO BALLAST VOLTAGE.
- ** LAMP LEADS ARE CONNECTED TO BALLAST.
- ** LAMP IS TYPE AND WATTAGE SHOWN ON SERIAL LABEL.



CONCORD SERIES ROADWAY TYPE-2 AND TYPE-3 REFLECTOR SOCKET POSITIONS



- * Loosen (2) screws (ff). Move Socket Bracket (gg) to required position.
- * Position A: Type 3 MH, 150 HPS.
- * Position B: Type 2 MH, Type 3 250-400 HPS.
- * Position C: Type 2 250-400 HPS.
- * Tighten (2) screws (ff).
- * Loosen (2) screws (ff). Move Socket Bracket (gg) to required position.
- * Position A: Type 3 MH
- * Position B: Type 2 MH
- * Tighten (2) screws (ff).

QUALITY PRODUCT IMPROVEMENT IS A CONTINUOUS PROGRAM OF HUBBELL SPAULDING LIGHTING, INC. INFORMATION IN THIS BULLETIN IS SUBJECT TO CHANGE WITHOUT NOTICE.

74561A01

REV 8-15-02