

# INSTALLATION INSTRUCTIONS FOR DALLAS SERIES

**WARNING: DISCONNECT POWER BEFORE INSTALLATION  
OR MAINTENANCE**

**READ INSTRUCTIONS CAREFULLY BEFORE ATTEMPTING TO  
INSTALL LUMINAIRE. FAILURE TO COMPLY WITH  
INSTRUCTIONS COULD RESULT IN PERSONAL INJURY  
AND/OR PROPERTY DAMAGE!  
RETAIN INSTRUCTIONS FOR FUTURE REFERENCE.**

## GENERAL INFORMATION

1. All workmanship and materials used to make connection to the luminaire are to be in accordance with the N.E.C., Local Codes, and job specifications.
2. This luminaire shall be adequately grounded for your protection against shock hazard and to assure proper operation.
3. All wiring should be performed by a qualified electrician.
4. **Make certain that the power source conforms to the requirements of the luminaire. (Correct ballast voltage)**
5. Before installing or servicing, disconnect power. Allow plenty of time for luminaire and lamp to cool off.
6. Failure to follow the above safety instructions could result in a fatal shock hazard.

## RECOMMENDED INSTALLATION TOOLS

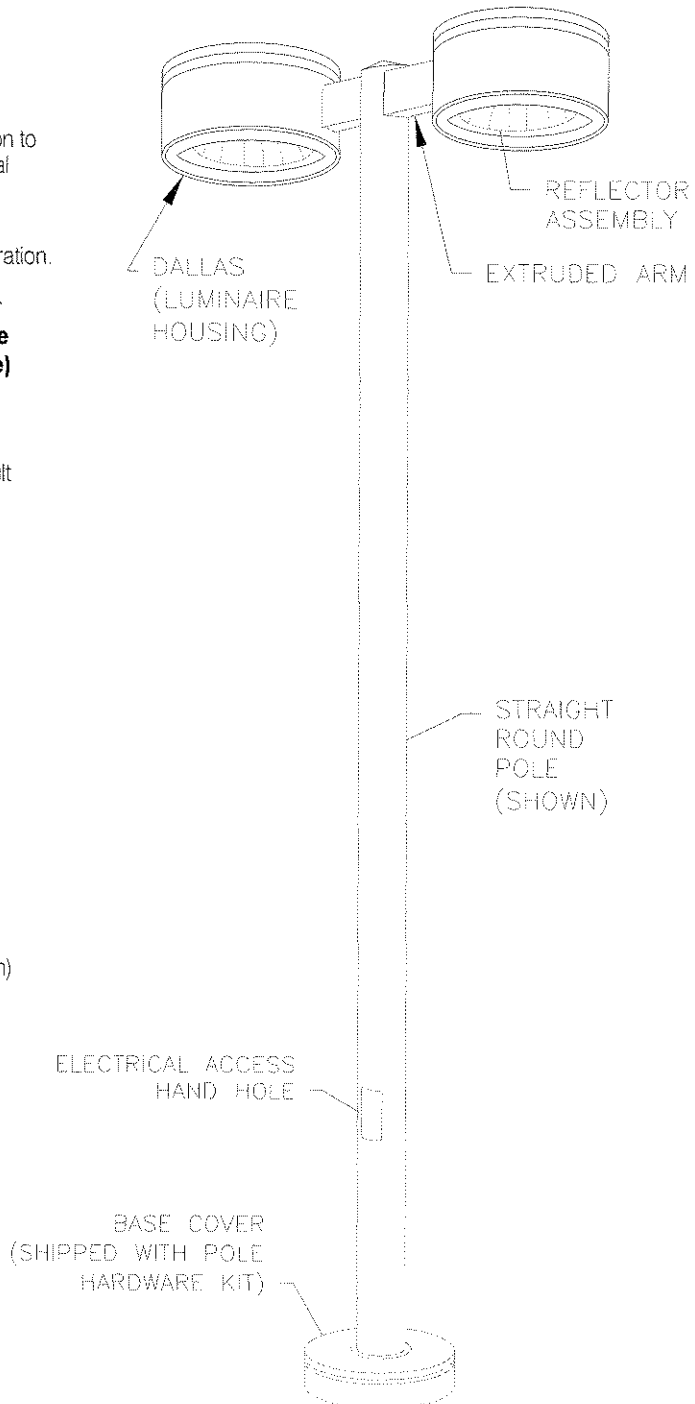
- \* 3/4" Box/Open end wrench
- \* 9/16" Box/Open end wrench
- \* 3/4" socket
- \* 9/16" socket
- \* 3/8" drive ratchet wrench
- \* Phillips head screw driver

## INSTALLATION KIT COMPONENTS FOR DALLAS I, DALLAS II, OR DALLAS III

- (1) Dallas area light (luminaire) includes housing, with ballast installed, reflector assembly and door assembly.
- (1) Extruded Arm & mounting hardware (Separate Carton)
- (1) Base Covers & Hardware (Separate Carton).
- (1) Lamp (Optional)

## OPTIONS: Quantities based on order configuration.

- \* Arm 6" long preparation (Figures 1)
- \* Arm hardware mounting package (Figures 1-4)
- \* Straight square pole mounting kit (Figure 2)
- \* Straight round pole mounting kit (Figure 3)
- \* Tapered round pole mounting kit (Figure 5)
- \* Wall mounting hardware kit (Figure 6)
- \* Spider mounting (Figure 9)
- \* Vandal shield (Optional) (Figure 10)
- \* Photocontrol switch (Optional) (Figure 11)
- \* Lamp Support (Optional) (Figure 12)



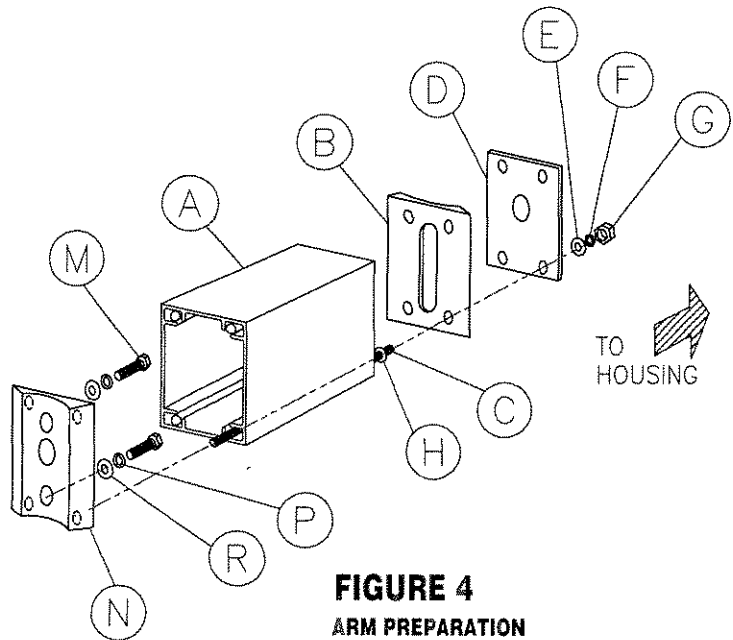
**1.**

P.N. 93012707

**ARM PREPARATION (FIGURE 4) AND MOUNTING  
INSTALLATION FOR TAPERED ROUND  
POLES (SEE FIGURE 5)**

**KIT CONTENTS: TAPERED ROUND POLE**

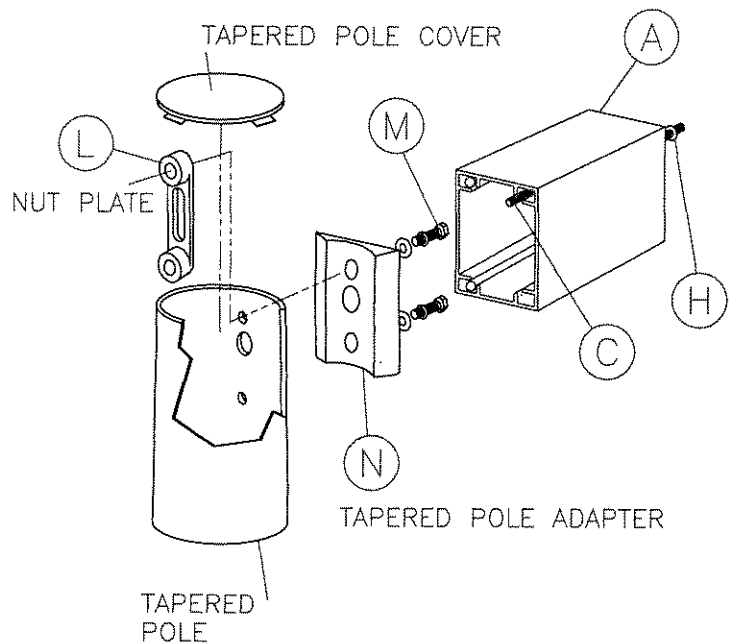
ITEM	QUAN.	DESCRIPTION
A	1	ARM, 6"
B	1	ADAPTER -- HOUSING
C	4	THREADED ROD, 3/8 - 16 X 8-5/8 LG.
D	1	GASKET -- HOUSING
E	4	FLAT WASHER, 3/8
F	4	LOCKWASHER, 3/8 SPLIT
G	4	HEX NUT, 3/8 - 16
H	4	RETAINER, 3/8 PUSHNUT
L	1	NUT-PLATE
M	2	BOLT, 1/2 - 13 X 1-3/4 LG.
N	1	TAPERED POLE ADAPTER
P	2	LOCKWASHER, 1/2 SPLIT
R	2	FLAT WASHER, 1/2



**FIGURE 4**  
**ARM PREPARATION**  
**TAPERED ROUND POLES**

**C. TAPERED ROUND POLE INSTALLATION (FIGURE 5)**

- \* Insert (2) 1/2-13 bolts (M) with lockwasher (P) and flatwasher (R) through pole adapter (N).
- \* Mount adapter (N) to the pole using the cast nut-plate (L) placed inside the pole.
- \* Attach rods (C) into adapter (N).
- \* Slide extruded arm (A) over threaded rods (C). To hold the arm in place slide (4) pushnuts (H) onto each threaded rod and secure them against the arm.



**FIGURE 5**  
**TAPERED ROUND POLE**

## GENERAL INSTALLATION INSTRUCTIONS

1. For convenience of mounting the luminaire to the arm and pole assembly, lay the pole flat on a set of saw-horses.
2. The mounting arm is shipped, not installed to the luminaire. The mounting arm kit contains a mounting arm and all necessary hardware for connecting the arm to the pole first, then the luminaire to the arm/pole assembly.
3. Prepare the arm and attach the arm to the pole as shown by Figures 1-5.
4. Route the supply wires through the pole and arm wire holes provided and make connections to luminaire according to local and national electrical codes.

## ARM PREPARATION (FIGURE 1) AND MOUNTING INSTALLATION FOR SQUARE AND ROUND POLES (Also SEE FIGURES 2 & 3)

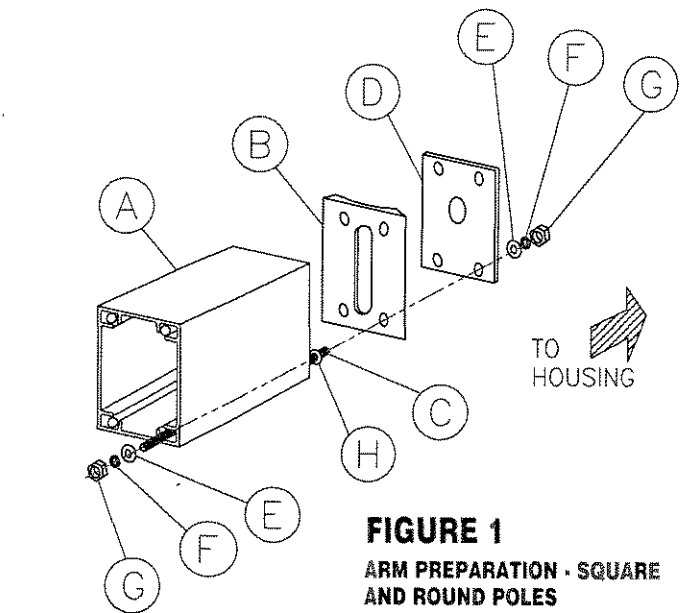
### KIT CONTENTS: SQUARE AND ROUND POLES

ITEM	QUAN.	DESCRIPTION
A	1	ARM, 6"
B	1	ADAPTER — HOUSING
C	4	THREADED ROD, 3/8 — 16 X 10 LG.
D	1	GASKET — HOUSING
E	8	FLAT WASHER, 3/8
F	8	LOCKWASHER, 3/8 SPLIT
G	8	HEX NUT, 3/8 — 16
H	4	RETAINER, 3/8 PUSHNUT
J	1	ROUND POLE ADAPTER (Round Pole Option)
K	1	NUT-PLATE (Round Pole Option)

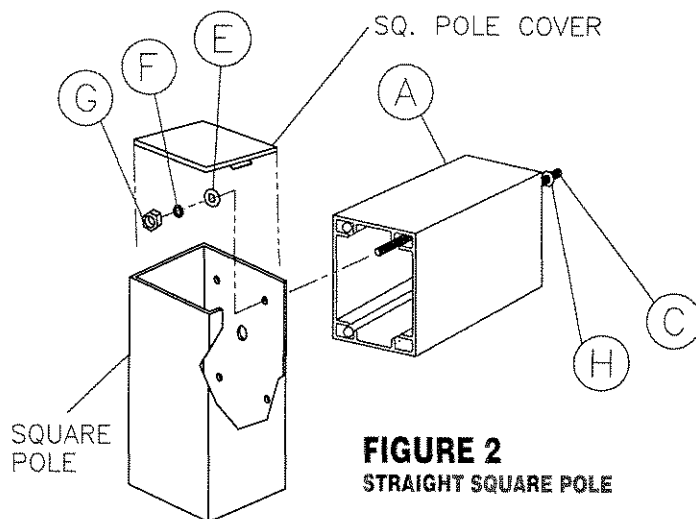
### MOUNTING ARM TO POLE

#### A. FIGURE 2 : STRAIGHT SQUARE POLE INSTALLATION

- \* Insert (4) threaded rods (C) into pole. Attach (4) flat washers (E), (4) lockwashers (F) and (4) nuts (G) to the ends of the rods inside the pole.
- \* Slide extruded arm (A) over threaded rods (C). To hold the arm in place, slide (4) pushnuts (H) onto each threaded rod and secure them against the arm.



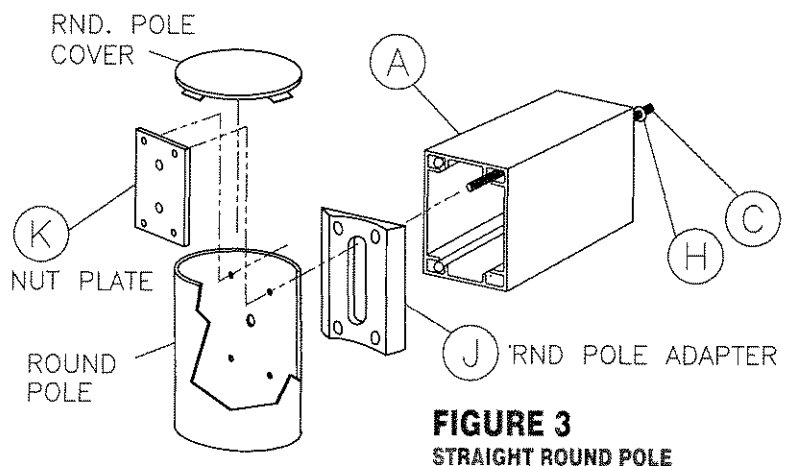
**FIGURE 1**  
ARM PREPARATION - SQUARE AND ROUND POLES



**FIGURE 2**  
STRAIGHT SQUARE POLE

#### B. FIGURE 3 : STRAIGHT ROUND POLE

- \* Using the proper round pole adapter (J), place flat side against the arm (A). Attach rods (C) into nut-plate (K) placed inside pole.
- \* Slide extruded arm (A) with adapter (J) over threaded rods (C). To hold the arm in place, slide (4) pushnuts (H) onto each threaded rod and secure them against the arm.



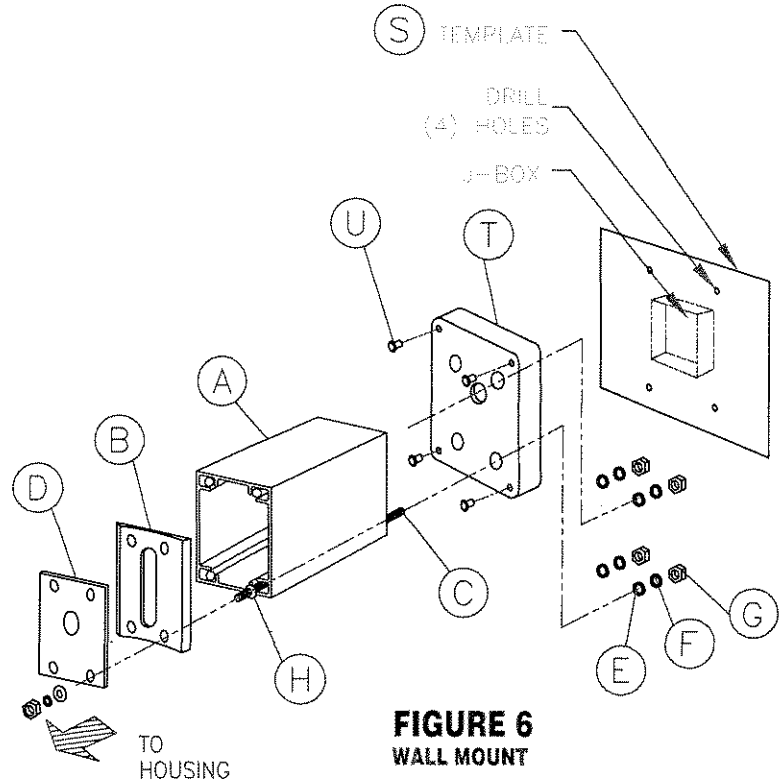
**FIGURE 3**  
STRAIGHT ROUND POLE

### KIT CONTENTS: WALL MOUNT INSTALLATION

ITEM	QUAN.	DESCRIPTION
A	1	ARM, 6"
B	1	ADAPTER - HOUSING
C	4	THREADED ROD, 3/8 - 16 X 10 LG.
D	1	GASKET - HOUSING
E	8	FLAT WASHER, 3/8
F	8	LOCKWASHER, 3/8 SPLIT
G	8	HEX NUT, 3/8 - 16
H	4	RETAINER, 3/8 PUSHNUT
S	1	WALL MOUNTING TEMPLATE
T	1	CAST WALL BRACKET
U	4	PLASTIC HOLE PLUGS

#### D. WALL MOUNT INSTALLATION (FIGURE 6)

- \* Place the template (S) over the junction box on the wall and mark the hole locations.
- \* Drill (4) holes for the appropriate mounting hardware for the particular type of wall.
- \* Assemble arm (A) to wall bracket (T) by inserting rods (C), and attaching (4) flat washers (E), lockwashers (F), and hex nuts (G).
- \* Insert supply wires from J-BOX into wallbracket (T) and thru arm (A).
- \* Mount the cast wall bracket using proper hardware (by others).
- \* Engage (4) plastic hole plugs (U) into the (4) corner holes of the wall bracket (T).
- \* Apply a continuous bead of caulking sealant around the top and (2) sides of the wall bracket and wall surface, to seal joint from water leakage.



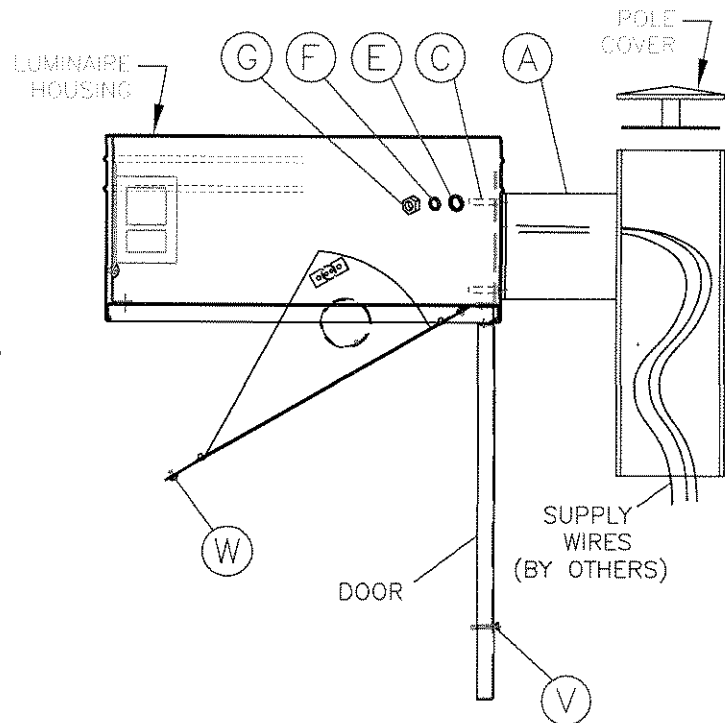
**FIGURE 6**  
WALL MOUNT

#### E. LUMINAIRE INSTALLATION TO ARM (FIGURE 7)

- \* Loosen (2) door screws (V) and open door.
- \* Loosen (1) reflector panel assembly screw (W) and open reflector panel assembly (as shown).
- \* Lift and place luminaire housing onto the end of arm (A) engaging threaded rods (C).
- \* Secure housing by using (4) flat washers (E), lockwashers (F), and hex nuts (G).
- \* Using the appropriate box / open end wrench, tighten nuts (G) securely.

#### F. WIRING: POWER MUST BE OFF. (WIRING MUST BE PERFORMED BY A QUALIFIED ELECTRICIAN.)

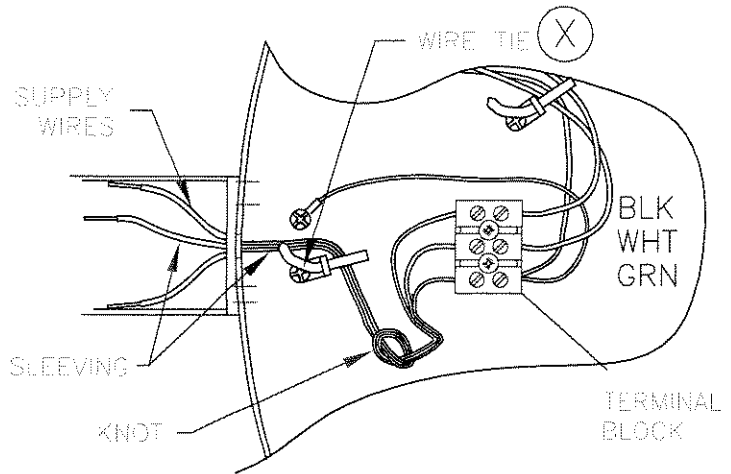
- \* Insert the supply wires (by others) into the wire way hole of the luminaire housing.
- \* Slip (2) 12 inch sleeves (provided) in the luminaire on to the supply wires. The ground wire does not require the sleeving. The sleeving should be on the supply wiring inside the luminaire. See figure 8.



**FIGURE 7**  
LUMINAIRE TO ARM

**CAUTION: FAILURE TO COMPLY WITH INSTALLING SLEEVING ON SUPPLY WIRING COULD RESULT IN MALFUNCTION OF LUMINAIRE, SHOCK, OR FIRE.**

- \* Align the ends of the sleeving with the black and white supply wires. Group them with the green wire and secure them to the luminaire housing using the wire tie (X) provided.
- \* After securing the wiring, tie a knot in all three of the supply wires next to the wire tie (X) if possible. This allows for stress relief. See figure 8.
- \* When (optional) terminal block is supplied, The wires are then connected to the terminal block, black to black, white to white and green to ground.
- \* Without a terminal block, connect the wires using high temperature approved wire nuts, and in accordance with the Local and National Electrical Code.



**NOTE: SUPPLY VOLTAGE MUST MATCH BALLAST**

- \* Swing the reflector assembly back into the housing. See figure 7. Secure the reflector assembly with the #10 -24 X 1/2 mounting screw (W).
- \* Install lamp (See Lamp Installation "K").
- \* Close door /Lens assembly and secure with (2) captive door screws (V).

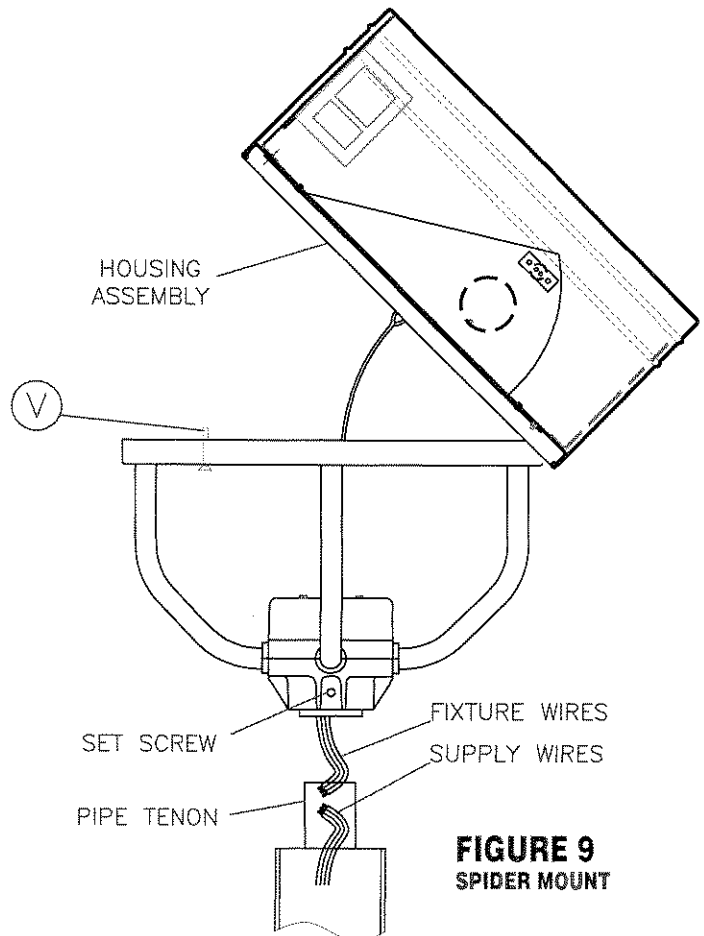
**FIGURE 8  
INSIDE HOUSING WIREWAY**

**G. SPIDER MOUNT INSTALLATION**

**IMPORTANT: BASE COVERS MUST BE ASSEMBLED ONTO POLE PRIOR TO ATTACHING FIXTURE TO POLE**

**2" PIPE TENON SLIPFITTER:**

- \* Connect Supply Wires from pole to the Fixture Power Leads according to local and NEC.
- \* Slide 2 inch Slipfitter over Pipe Tenon. Aim Fixture for Proper Lighting Application. Tighten Set Screws provided with Slipfitter.
- \* To Open Fixture loosen (2) Door Screws (V) and Lift up Housing Assembly.
- \* Install lamp (See Lamp Installation "K").
- \* Carefully close housing and secure to door/spider mount with (2) captive door screws (V).



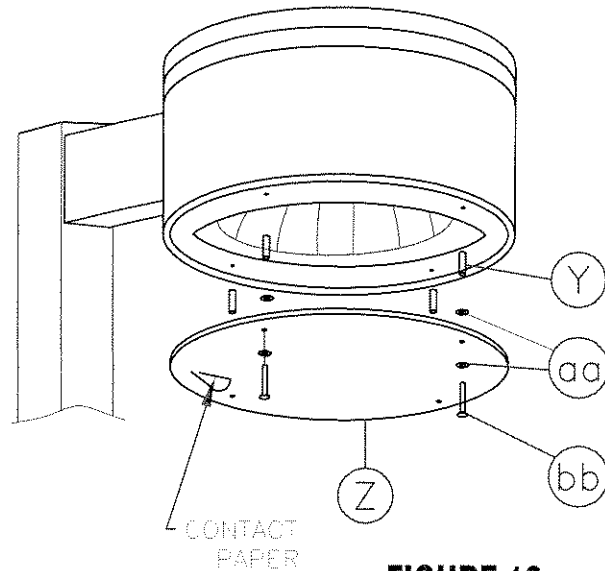
**FIGURE 9  
SPIDER MOUNT**

#### H. VANDAL SHIELD INSTALLATION (FIGURE 10)

The vandal shield kit contains the following:

- (4) Tubular spacers (Y)
- (8) Flat washers (aa)
- (4) Screws (bb)
- (1) Polycarbonate vandal shield (Z)

- \* Remove contact paper from vandal shield.
- \* Mount the vandal shield to the pre-drilled holes in door using spacers, washers and screws (provided).

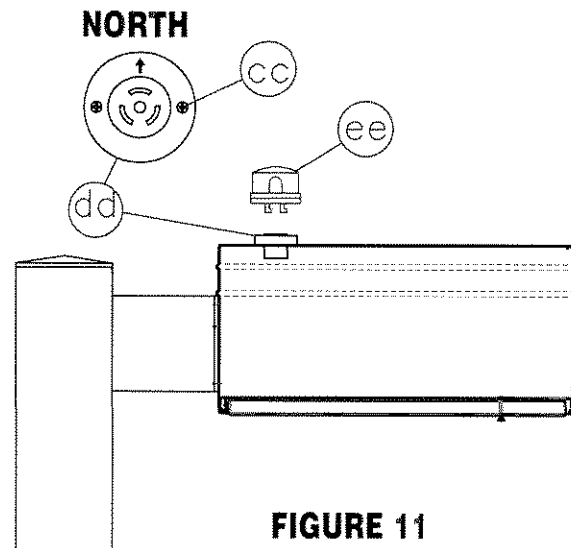


**FIGURE 10**  
VANDAL SHIELD

#### J. PHOTOCONTROL SWITCH (FIGURE 11)

- \* Loosen the (2) mounting screws (cc) on the female receptacle (dd).
- \* Rotate the receptacle (dd) so that the arrow on the receptacle faces north.
- \* Retighten the (2) screws (cc) on the female receptacle (dd) to secure it in position.
- \* Insert the photocontrol switch (ee) (by others) into the receptacle (dd) and secure it in position.

**NOTE: THE LIGHT WILL NOT OPERATE WITHOUT A PHOTOCONTROL SWITCH OR A SHORTING CAP IN PLACE. DO NOT LEAVE RECEPTACLE OPEN TO THE ELEMENTS.**



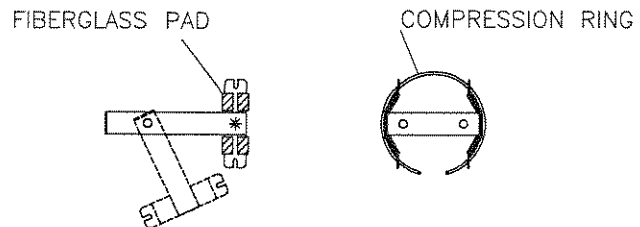
**FIGURE 11**  
PHOTOCONTROL SWITCH

#### K. LAMP INSTALLATION

- \* Make sure the lamp size and type matches the ballast specifications. For 400mh std. & pulse start, a compact lamp must be used.
- \* Engage the lamp to the socket. To ensure lamp makes proper contact, loosen the lamp one turn then retighten.
- \* Clean lamp and lens before closing the door.

#### L. LAMP SUPPORT (1000 W MODELS - FIGURE 12)

- \* Remove compression ring.
- \* Pivot lower lamp support to the side.
- \* Engage the lamp to the socket. To ensure lamp makes proper contact, loosen the lamp one turn then retighten.
- \* Reposition lamp support (Make sure fiberglass pads are in place).
- \* Replace compression ring onto lamp support slots.



**FIGURE 12**  
LAMP SUPPORT