

INSTALLATION INSTRUCTIONS

TWIN AREA LIGHT

WARNING: DISCONNECT POWER BEFORE INSTALLING OR SERVICING.

1. REMOVE DOOR BY SLIDING (4) LATCH PINS (A) TOWARD CENTER OF FIXTURE. SEE FIG. 1.
2. TO GAIN ACCESS TO BALLASTS, REMOVE (3) SCREWS (B) AND COVER (C). SEE FIG. 2.
3. REMOVE (4) MOUNTING BOLTS (D), WASHERS (E) & (G), AND NUTS (F) FROM HOUSING. SEE FIG. 3.
4. APPLY GASKET (H) TO OUTSIDE OF HOUSING BY ALIGNING WITH (4) MOUNTING HOLES ON HOUSING.
5. SLIDE (4) MTG BOLTS (D) WITH FLAT WASHERS (G) FROM INSIDE POLE THROUGH GASKET (H) INTO HOUSING.
6. CAPTURE EACH MTG BOLT (D) WITH (1) NUT (F) AND WASHER (E). TIGHTEN SECURELY. SEE FIG. 4.
7. CONNECT THE WIRE LEADS IN ACCORDANCE WITH LOCAL AND NATIONAL ELECTRICAL CODES, AND PROVIDED WIRING DIAGRAMS. SEE FIG. 5.
8. REPLACE COVER (C) AND (3) SCREWS (B). TIGHTEN SECURELY.
9. REPLACE DOOR INTO HOUSING.

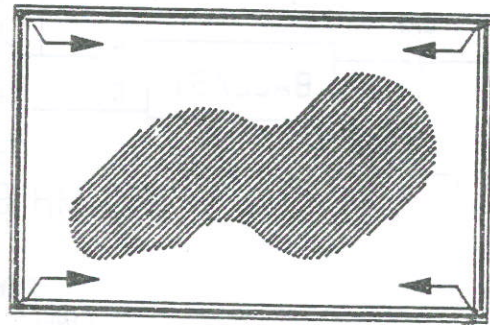


FIG. 1

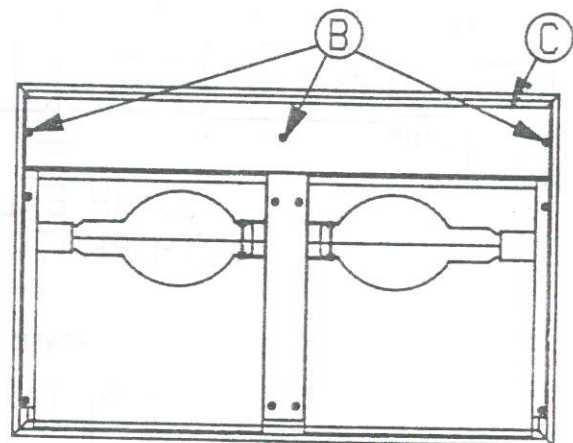


FIG. 2

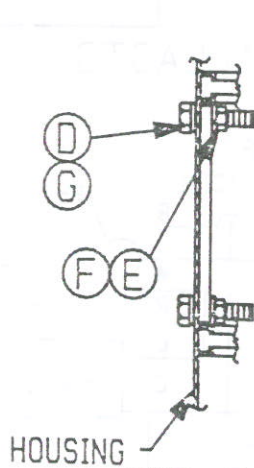


FIG. 3

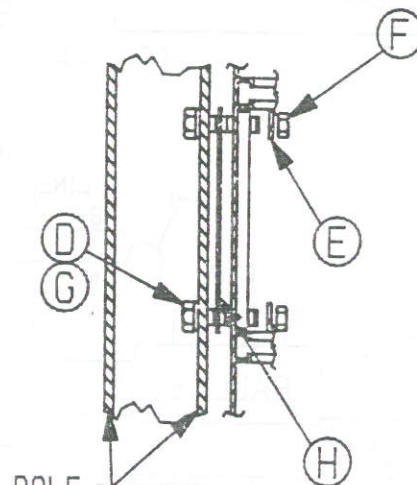


FIG. 4

INSTALLATION INSTRUCTIONS

TWIN AREA LIGHT

WARNING: DISCONNECT POWER BEFORE INSTALLING OR SERVICING.

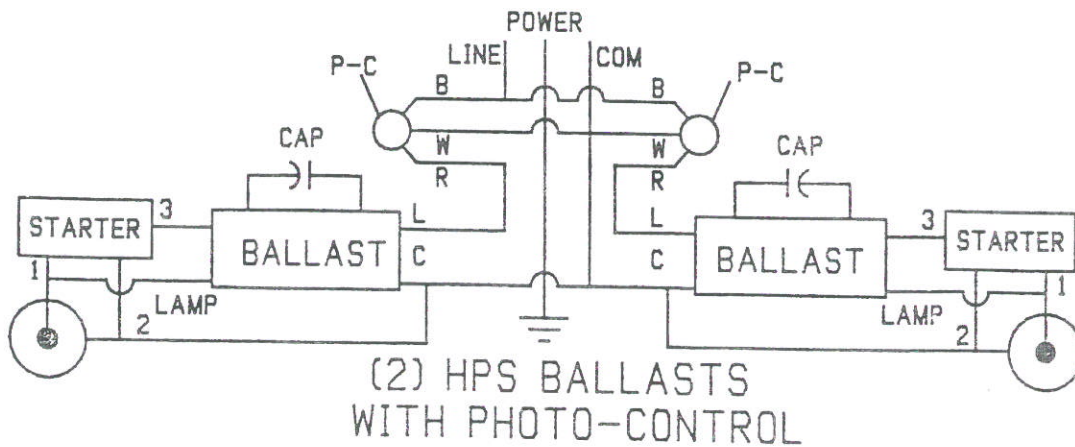
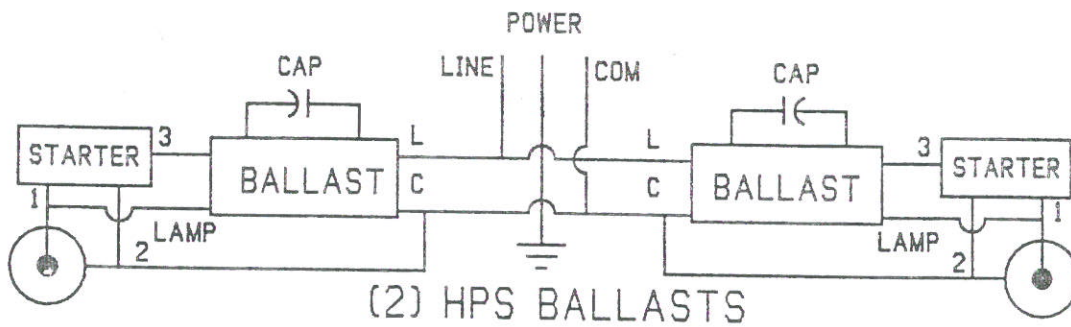
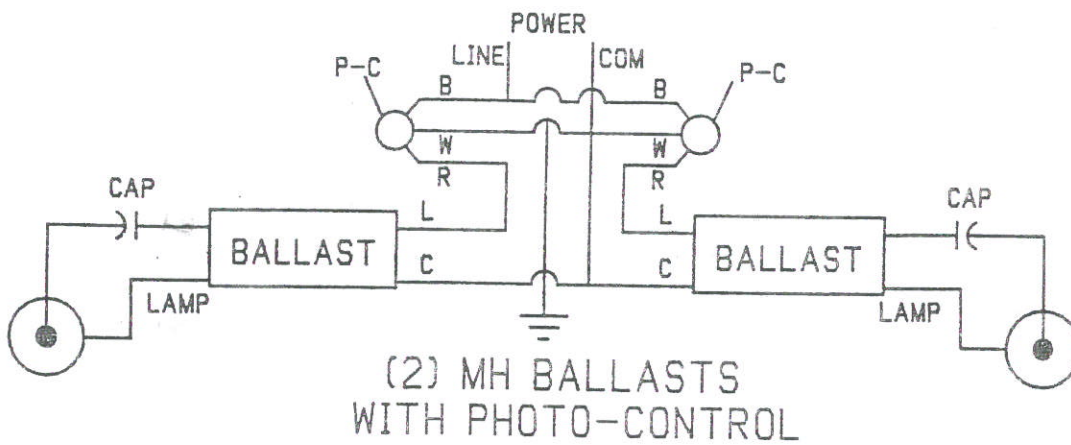
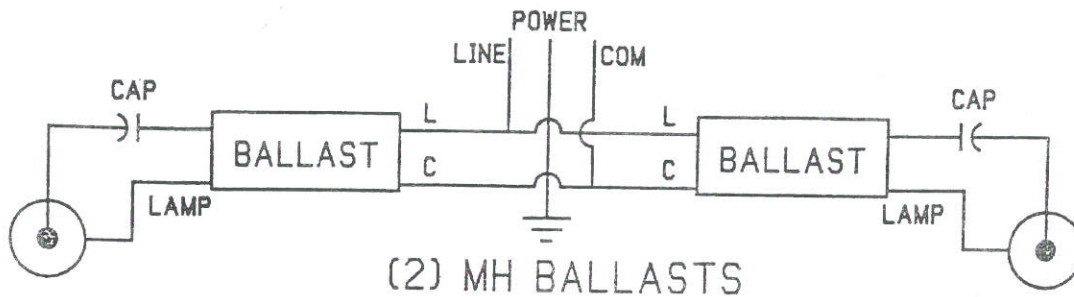


FIG. 5

74440A01
1-19-93