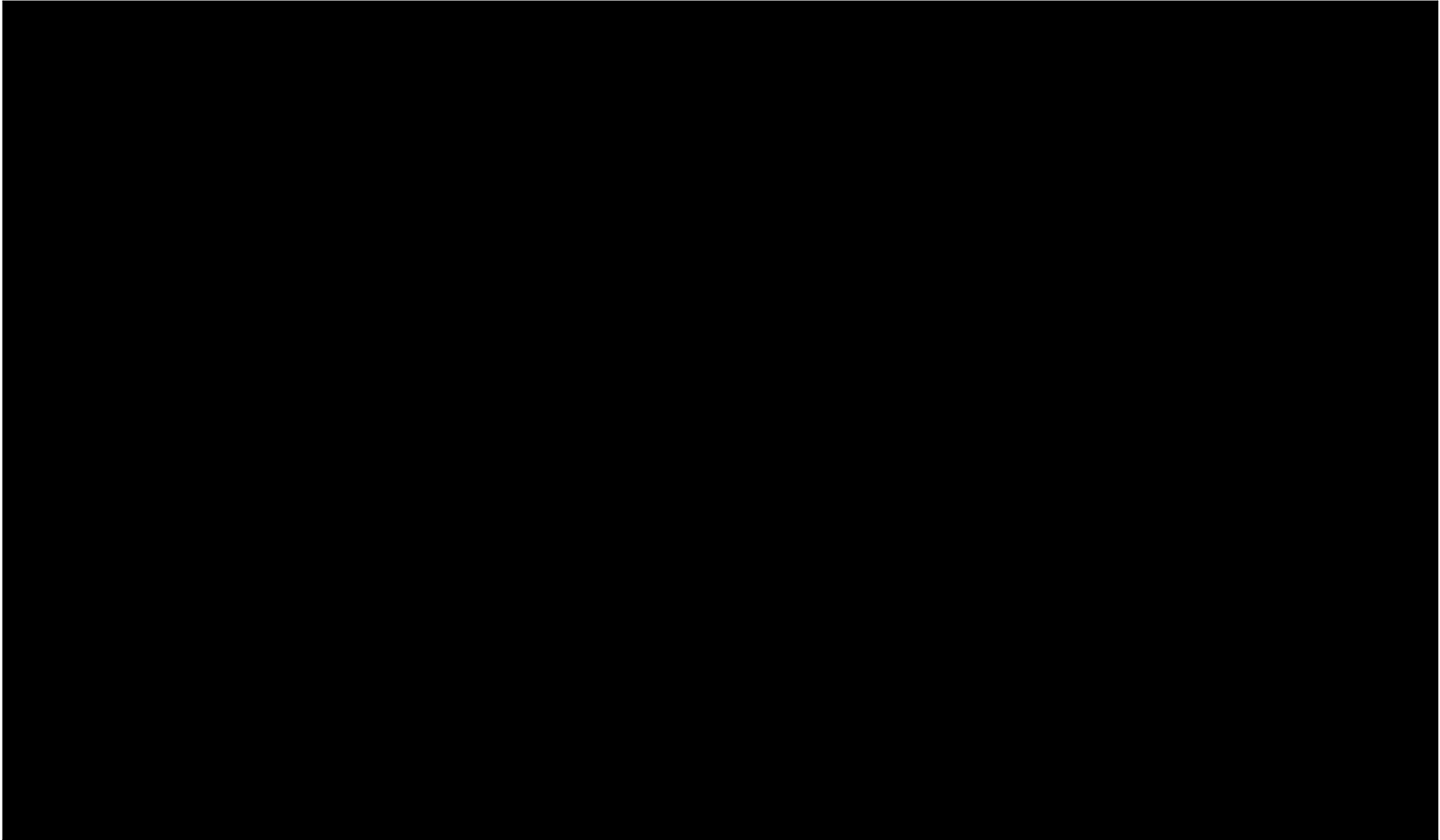


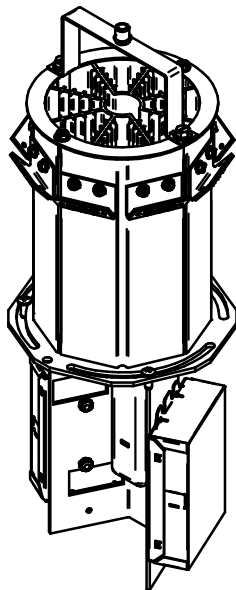
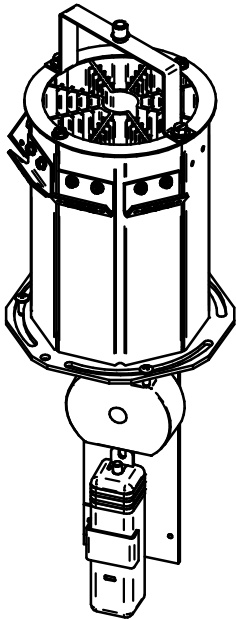
SAVE THESE INSTRUCTIONS



ROUND UPGRADE KIT

ASYMMETRIC

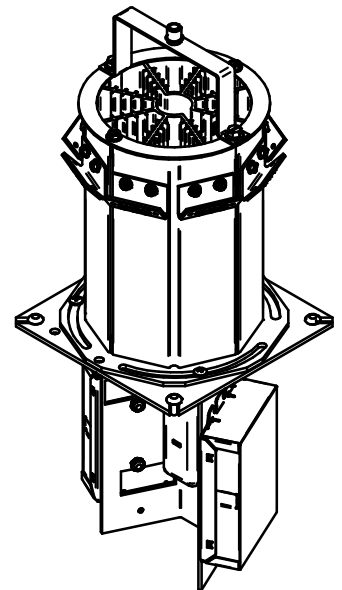
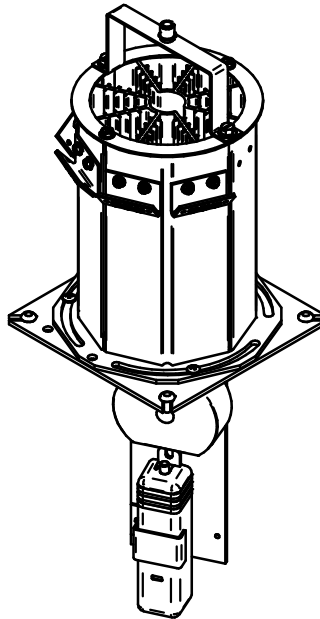
SYMMETRIC



SQUARE UPGRADE KIT

ASYMMETRIC

SYMMETRIC



SAVE THESE INSTRUCTIONS LED BOLLARD UPGRADE (BOLR, BOLS)

**WARNING: DISCONNECT POWER BEFORE INSTALLATION OR SERVICING
READ INSTRUCTIONS CAREFULLY - FAILURE TO DO SO COULD RESULT IN
PERSONAL INJURY. RETAIN INSTRUCTIONS FOR SERVICING.**

NOTE: ONLY USED IN THE FRESNO, TEMPE, AND MODESTO BOLLARDS.

FIXTURE INSTALLATION

1. VERIFY CIRCUIT IS DE-ENERGIZED BEFORE PERFORMING ANY WORK.
2. REMOVE EXISTING LUMINAIRE LAMP, OPTICS, AND BALLAST
NOTE: PLEASE DISPOSE OF MATERIALS IN APPROPRIATE MANNER
3. UNPACK LUMINAIRE UPGRADE KIT AND CHECK FOR DAMAGE.
4. PLACE UPGRADE KIT IN BASE AND SECURE WITH MOUNTING SCREWS PROVIDED IN HARDWARE KIT.
NOTE: SQUARE: (A) 4 SCREWS, ROUND: (B) 3 SCREWS
5. PLACE NEWS LENS AND HOUSING CAP OVER LUMINAIRE, AND REPLACE NEW ALLEN SOCKET SCREW AND SEALING WASHER WITH EXISTING SCREW AND WASHER.
6. MAKE WIRING CONNECTIONS OBSERVE PROPER POLARITY AND GROUND WIRE MUST BE COMMONIZED

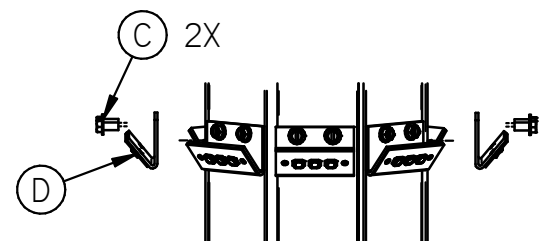
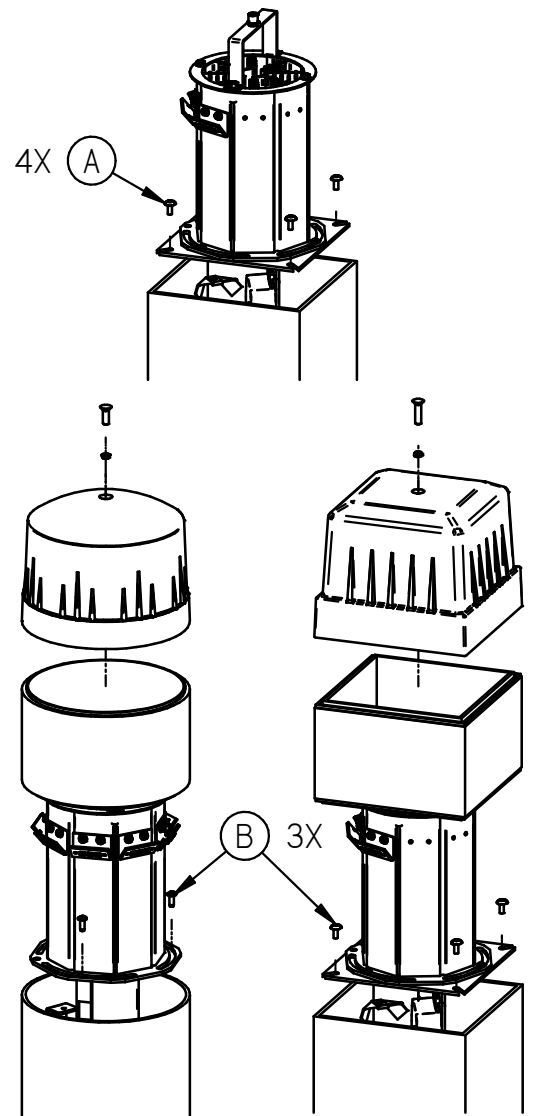
- LED LIGHT ARRAY CAN BE ADJUSTED BY LOOSENING THREE MOUNTING SCREWS. (B) THEN RETIGHTEN MOUNTING SCREWS.

BEFORE ENERGIZING LED MAKE CERTAIN THAT:

- LINE VOLTAGE IS WITHIN BALLAST OPERATING RANGE.
- LED LIGHT ARRAY IS POINTING IN DESIRED DIRECTION.

LED RELAMPING INSTRUCTIONS

1. REMOVE CAP BY LOOSENING ALLEN SOCKET SCREW AND SEALING WASHER.
2. DISCONNECT LED LEADS FROM BALLAST
3. REPLACE LED BOARDS BY REMOVING TWO MOUNTING SCREWS (C) FROM EACH BRACKET (D)
4. REVERSE ABOVE PROCEDURE TO RE-ASSEMBLE FIXTURE BEING SURE SEALING WASHER IS ON SCREW, NOTE: HEAD OF SCREW WILL NOT BE FLUSH WITH TOP OF HOUSING DUE TO SEALING WASHER. DO NOT OVERTIGHTEN TOP ALLEN HEAD SOCKET SCREW.



93036520_A
05/24/2011