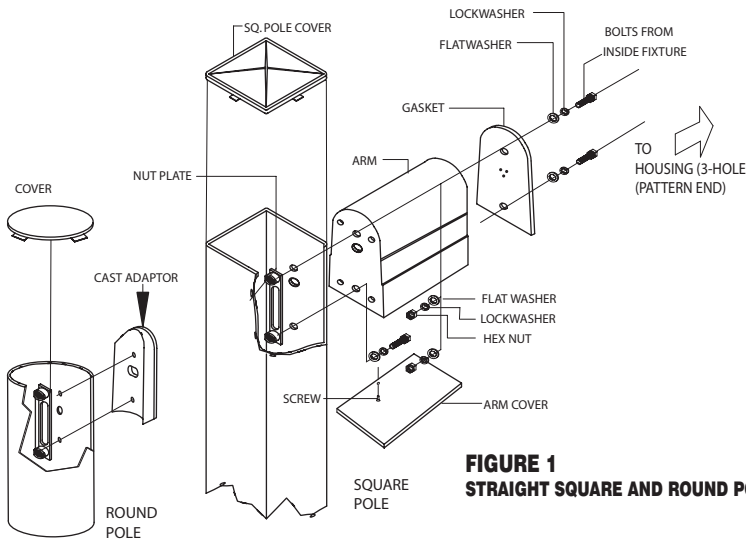
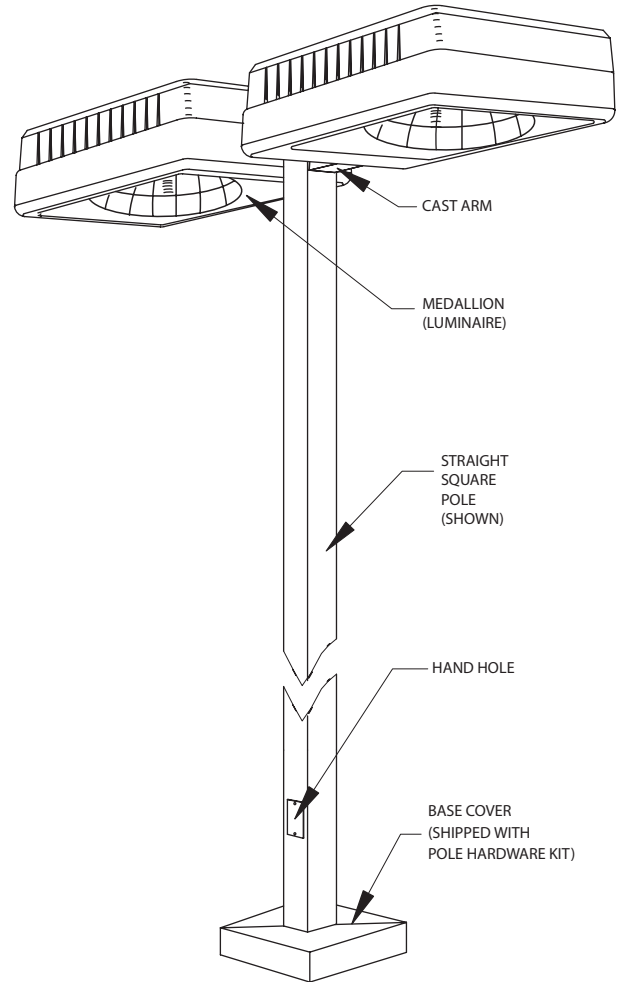


INSTALLATION INSTRUCTIONS FOR MEDALLION 2 SERIES

WARNING: DISCONNECT POWER BEFORE INSTALLATION OR MAINTENANCE

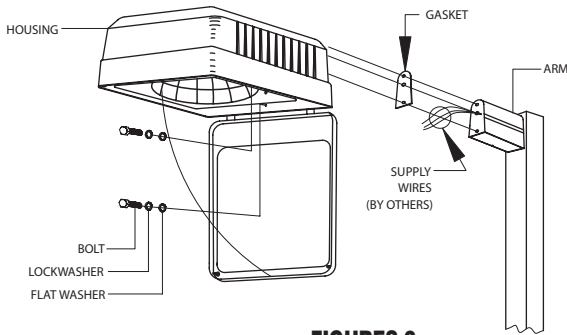
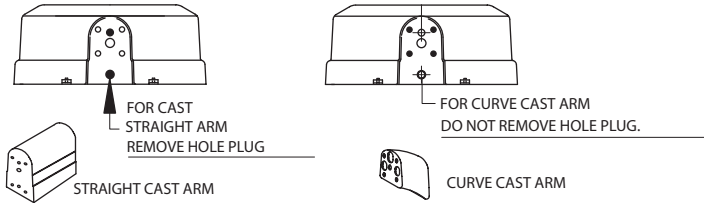


**FIGURE 1
STRAIGHT SQUARE AND ROUND POLES**

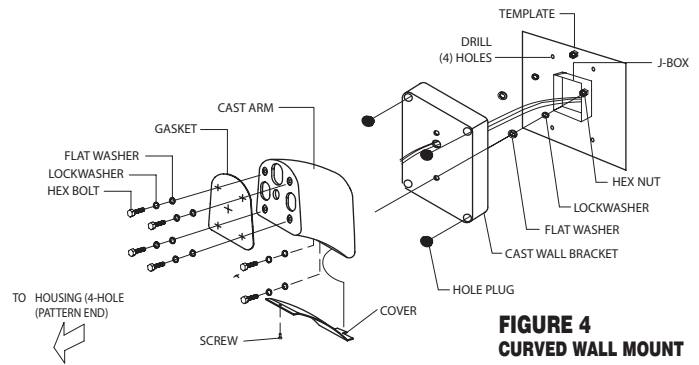


A. ARM MOUNTING INSTALLATION FOR SQUARE AND ROUND POLES

HOUSING PREPARATION



**FIGURES 2
LUMINAIRE TO ARM**

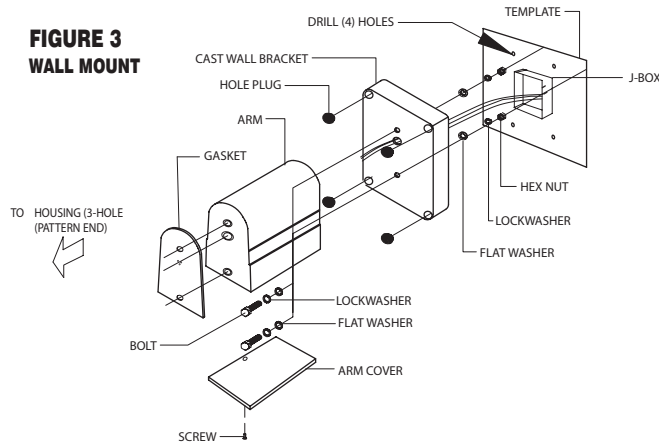


**FIGURE 4
CURVED WALL MOUNT**

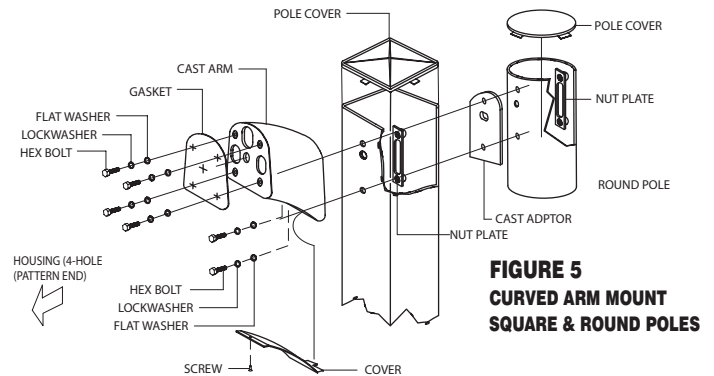
B. WALL MOUNT INSTALLATION (FIGURE 3 AND 4)

NOTE: Fixture weight is approximately 60 pounds.

FIGURE 3 WALL MOUNT

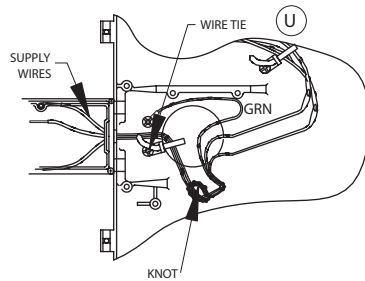


C. LUMINAIRE INSTALLATION TO CURVE ARM (FIGURE 5)



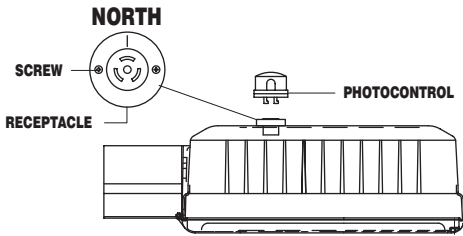
**FIGURE 5
CURVED ARM MOUNT
SQUARE & ROUND POLES**

D. WIRING: POWER MUST BE OFF. (WIRING MUST BE PERFORMED BY A QUALIFIED ELECTRICIAN.)

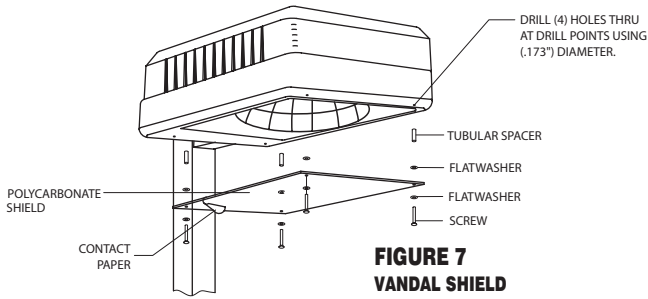


**FIGURE 6
INSIDE BALLAST AREA
TRAY REMOVED**
NOTE: SUPPLY VOLTAGE MUST MATCH BALLAST

F. PHOTOCONTROL SWITCH (FIGURE 8)



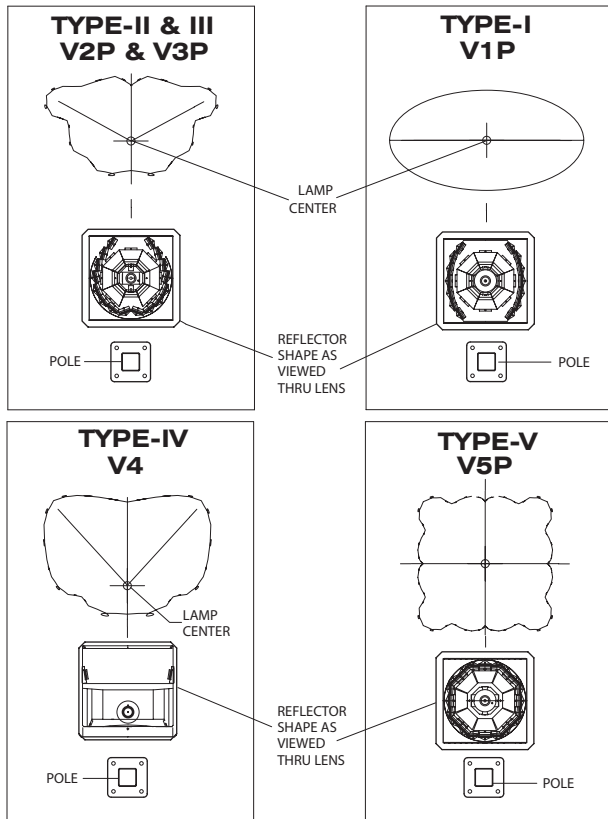
NOTE: THE LIGHT WILL NOT OPERATE WITHOUT A PHOTOCONTROL SWITCH OR A SHORTING CAP IN PLACE. DO NOT LEAVE RECEPTACLE OPEN TO THE ELEMENTS.



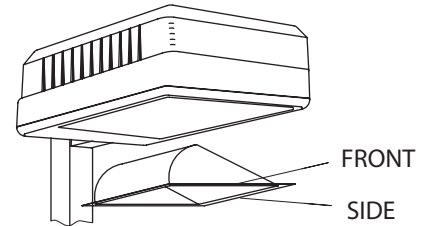
**FIGURE 7
VANDAL SHIELD**

G. VANDAL SHIELD INSTALLATION TO FLAT GLASS ONLY

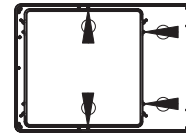
VERTICAL SERIES REFLECTOR OPTICAL DISTRIBUTIONS



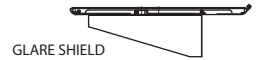
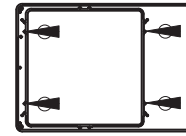
E. FIELD ROTATABLE OPTICS AND EXTERNAL GLARE SHIELD



TO CUT DOWN BACK LIGHT DRILL (4) HOLES THRU ON TOP OF BOSSES USING .173" DIA. DRILL.



TO CUT DOWN EITHER LEFT OR RIGHT SIDE LIGHT DRILL (4) HOLES THRU ON TOP OF BOSSES USING .173" DIA. DRILL.



INSTALL GLARE SHIELD USING (4) SCREWS



HORIZONTAL SERIES REFLECTOR OPTICAL DISTRIBUTIONS

