

INSTALLATION INSTRUCTIONS

SOFT ROUND VERTICAL AREA LIGHT

WARNING:

DISCONNECT POWER BEFORE INSTALLATION OR MAINTENANCE.

READ INSTRUCTIONS CAREFULLY BEFORE ATTEMPTING TO INSTALL THIS FIXTURE.
FAILURE TO COMPLY WITH INSTRUCTIONS COULD RESULT IN PERSONAL INJURY AND/OR
PROPERTY DAMAGE! RETAIN INSTRUCTIONS FOR FUTURE REFERENCE.

GENERAL INFORMATION

1. ALL WORKMANSHIP AND MATERIAL USED TO MAKE CONNECTION TO FIXTURE ARE TO BE IN ACCORDANCE WITH THE N.E.C., LOCAL CODES AND JOB SPECIFICATIONS.
2. THIS FIXTURE SHALL BE ADEQUATELY GROUNDED FOR YOUR PROTECTION AGAINST SHOCK HAZARD AND TO ASSURE PROPER OPERATION.
3. ALL WIRING SHOULD BE PERFORMED BY A QUALIFIED ELECTRICIAN.
4. MAKE CERTAIN THAT THE POWER SOURCE CONFORMS TO THE REQUIREMENT OF THE FIXTURE.
5. BEFORE INSTALLING OR SERVICING, DISCONNECT POWER. ALLOW PLENTY OF TIME FOR THE FIXTURE AND LAMP TO COOL OFF.
6. DO NOT OPERATE IN CLOSE PROXIMITY TO PERSONS, COMBUSTIBLE MATERIALS OR SUBSTANCES AFFECTED BY HEAT OR DRYING.
7. FAILURE TO FOLLOW THE ABOVE SAFETY INSTRUCTIONS COULD RESULT IN FATAL SHOCK HAZARD.

INSTALLATION OF MOUNTING ARM

1. TO OPEN DOOR LOOSEN DOOR SCREWS AND LIFT UP DOOR ASSEMBLY. **SEE FIGURE 1.**
2. TO REMOVE DOOR SQUEEZE HINGE AND REMOVE FROM HOUSING.
3. REMOVE SCREWS IN REFLECTOR ASSEMBLY TO REMOVE AND HINGE OPEN FOR ACCESS.
4. THE MOUNTING ARM IS SHIPPED SEPARATE OF THE FIXTURE. THE MOUNTING ARM KIT CONTAINS ARM AND ALL NECESSARY MOUNTING HARDWARE.
5. INSERT RODS INTO HOUSING MOUNTING HOLES. PLACE FLAT WASHERS, LOCK WASHERS, AND NUTS ONTO RODS UNTIL NUT IS FLUSH WITH END OF ROD. **SEE FIGURE 2.**
6. PLACE MOUNTING ARM ONTO RODS AND SECURE ARM WITH PUSHNUTS. SEE INSTALLATION INSTRUCTIONS SHIPPED WITHIN THE ARM KIT.
7. NOTE: BEFORE ATTACHING FIXTURE TO POLE OR WALL, PULL ENOUGH WIRING THROUGH POLE OR OUT OF WALL FOR MAKING CONNECTION TO FIXTURE.
8. ROUTE THE SERVICE WIRING THROUGH THE FIXTURE AND ATTACH FIXTURE WITH ARM TO THE POLE.

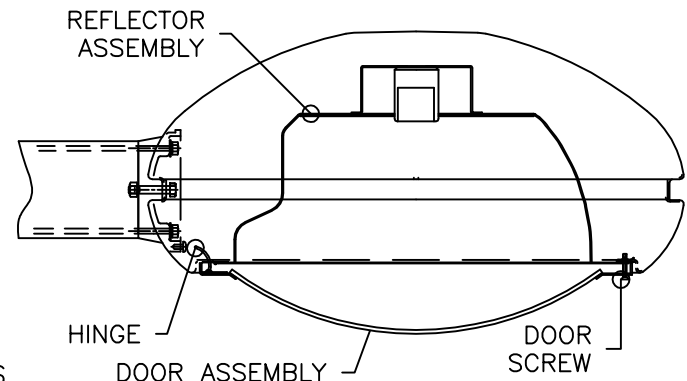


FIGURE WITH ARM MOUNTED
FIGURE 1

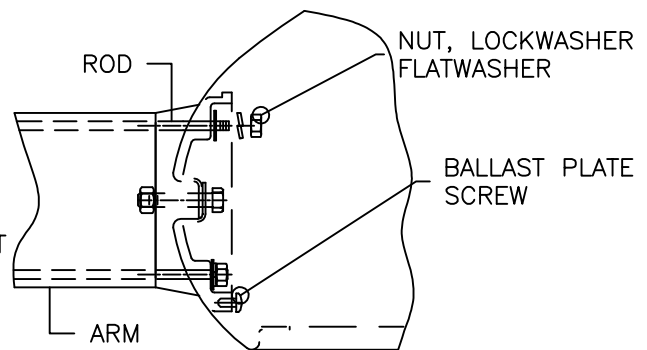


FIGURE 2

74520A01
10/15/98

WIRING OF FIXTURE

1. SLIP (2) 12 INCH SLEEVES (PROVIDED WITH THE FIXTURE) ON THE SERVICE WIRES. THE GROUND WIRE DOES NOT REQUIRE THE SLEEVING. THE SLEEVING SHOULD BE ON THE SERVICE WIRING THAT IS INSIDE THE FIXTURE. **SEE FIGURE 3.**

CAUTION: FAILURE TO COMPLY WITH INSTALLING SLEEVING ON SERVICE WIRING COULD RESULT IN MALFUNCTION OF LIGHT FIXTURE, SHOCK OR FIRE.

2. REMOVE BALLAST PLATE SCREWS.
3. INSTALL BALLAST PLATE ASSEMBLY INTO FIXTURE BY HANGING BALLAST PLATE HOOK OVER CAST PIN ON INTERNAL ARM CASTING. **SEE FIGURE 4.**
4. REPLACE BALLAST PLATE SCREWS AND TIGHTEN.
5. ALIGN THE ENDS OF THE SLEEVING WITH THE BLACK AND WHITE SERVICE WIRES. GROUP THEM WITH THE GREEN WIRE AND SECURE THEM TO THE FIXTURE HOUSING USING A WIRE TIE PROVIDED.
6. AFTER SECURING THE WIRING, TIE A KNOT IN ALL THREE OF THE SERVICE WIRES NEAR THE WIRE TIE. MAKE THE KNOT AS CLOSE TO THE WIRE TIE AS POSSIBLE. THIS IS FOR STRESS RELIEF. **SEE FIGURE 3.**
7. CONNECT THE SERVICE WIRES TO THE QUICK DISCONNECT PROVIDED WITH THE FIXTURE.

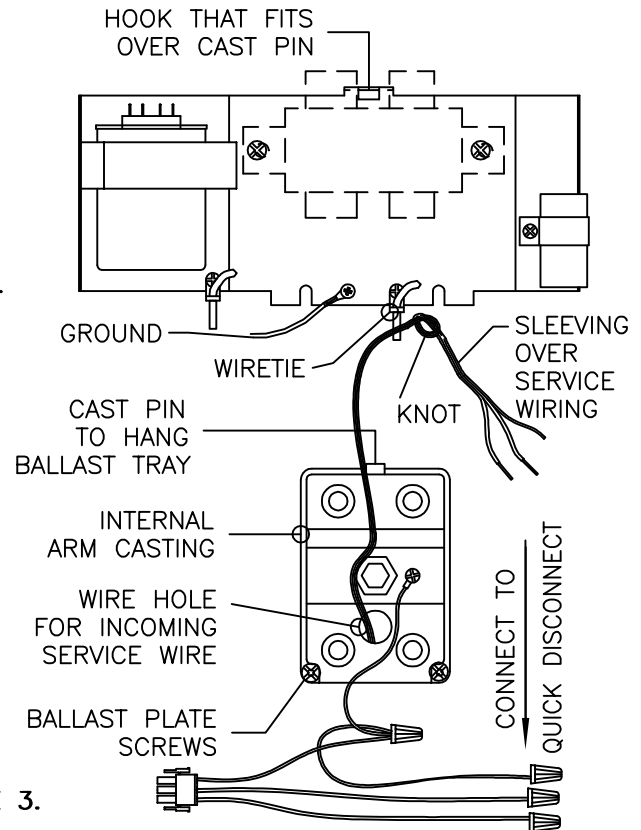


FIGURE 3

CAUTION: FOR MULTI-TAP TYPE BALLAST, THE BALLAST ARE FACTORY SET WIRED FOR 277 VOLT OR 347 VOLT SUPPLY, UNLESS OTHERWISE SPECIFIED ON ORDER. MAKE SURE THAT THE BALLAST VOLTAGE MATCHES THE SUPPLIED VOLTAGE.

2" PIPE ARM SLIPFITTER

1. BEFORE PULLING THE WIRING OUT OF THE MOUNTING PIPE ON THE POLE, SLIDE THE 2 INCH SLIPFITTER ONTO THE PIPE ABOUT 4 INCHES.
2. LEVEL FIXTURE AND TIGHTEN SET SCREWS.
3. USE THE HOLE IN THE SLIPFITTER AS A TEMPLATE TO DRILL A 13/32 DIA. HOLE IN THE 2 IN PIPE.
4. REMOVE SLIPFITTER AND PULL OUT ENOUGH WIRE FROM MOUNTING PIPE TO WIRE THE FIXTURE.
5. PULL WIRING THROUGH SLIPFITTER AND INTO FIXTURE AND PLACE IT BACK ONTO THE MOUNTING PIPE.
6. INSERT THROUGH BOLT, TIGHTEN WITH LOCKNUT. TIGHTEN SET SCREWS. **SEE FIGURE 5.**
7. WIRE FIXTURE PER INSTRUCTIONS ABOVE.

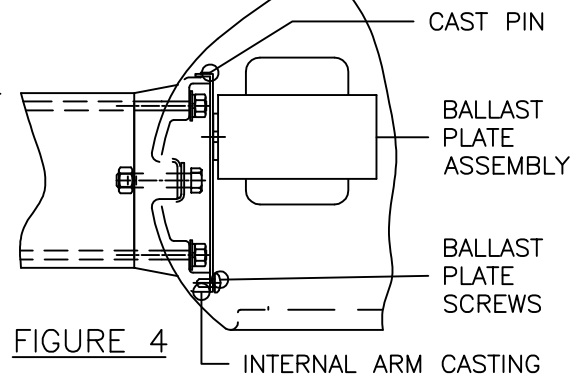


FIGURE 4

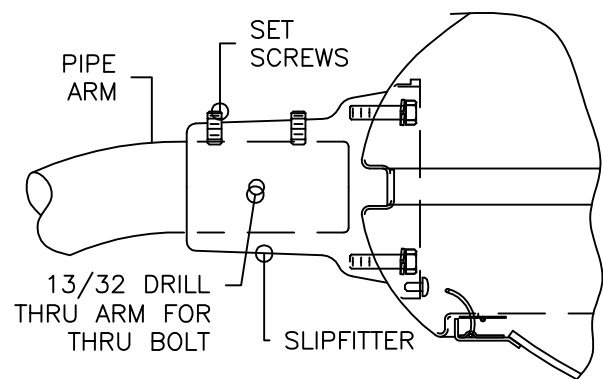


FIGURE 5