

# INSTALLATION INSTRUCTIONS FOR MSV SERIES

**WARNING: DISCONNECT POWER BEFORE INSTALLATION OR MAINTENANCE**

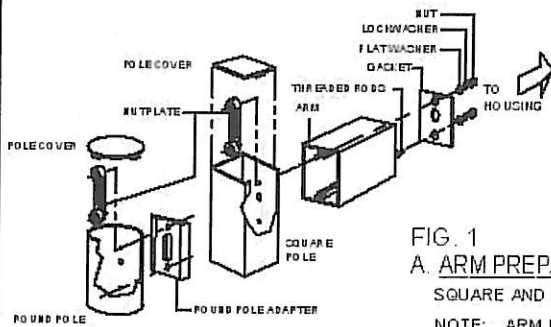


FIG. 1  
A. ARM PREPARATION  
SQUARE AND ROUND POLES  
NOTE: ARM IS SHIPPED  
INSIDE FIXTURE

MSV  
(LUMINAIRE  
HOUSING)

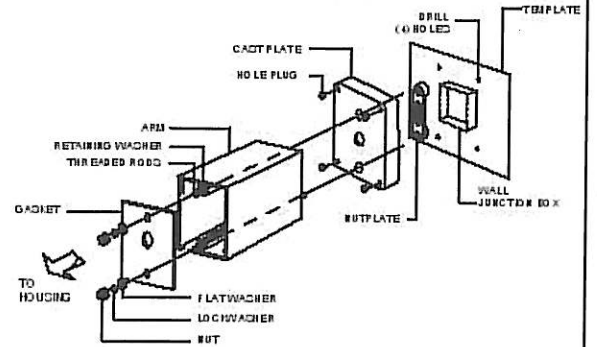
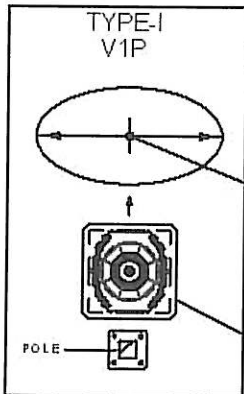
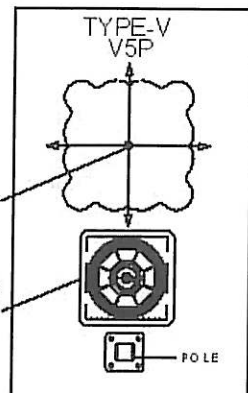
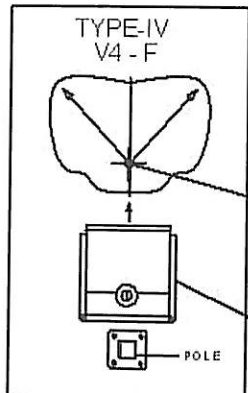
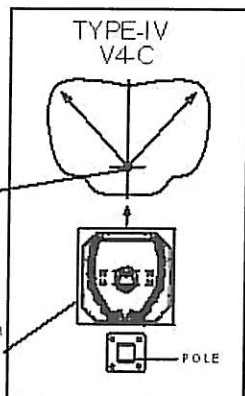
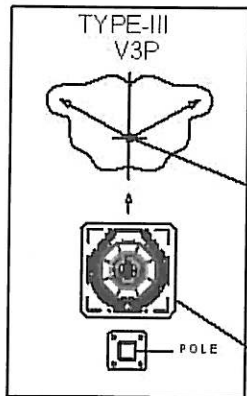


FIG. 2  
B. WALL MOUNT INSTALLATION  
NOTE: ARM IS SHIPPED INSIDE FIXTURE  
Fixture weight is approximately 70 pounds.



VERTICAL SERIES REFLECTOR  
OPTICAL DISTRIBUTIONS



HORIZONTAL SERIES REFLECTOR  
OPTICAL DISTRIBUTIONS

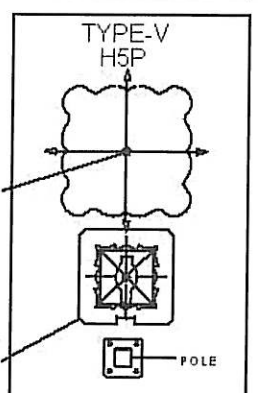
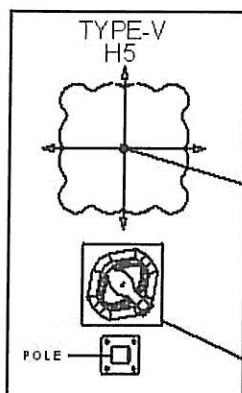
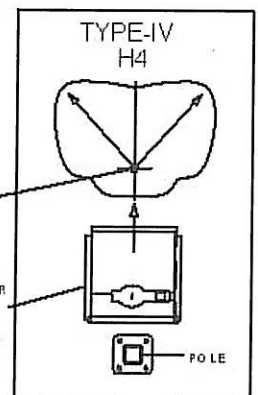
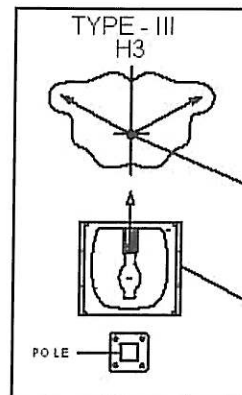
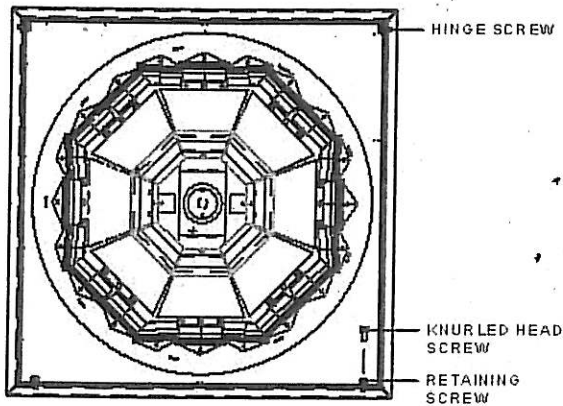


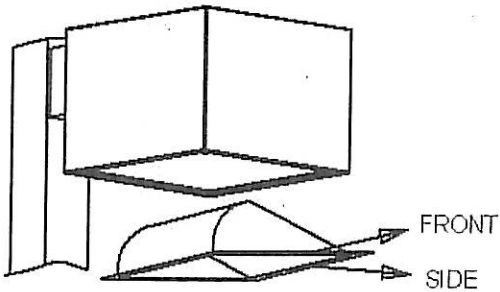
FIG. 3  
C. PRE-INSTALLATION CONVEX LENS



NOTE: TO REMOVE LENS DOOR LOOSEN (2) RETAINING SCREWS AND (1) HINGE SCREW. REMOVE RETAINING STRAP TO REMOVE ARM.

REPLACE RETAINING SCREWS WITH KNURLED HEAD SCREWS PROVIDED FOR TOOL-LESS ENTRY.

FIG. 5  
E. FIELD ROTATABLE OPTICS



TO REMOVE REFLECTOR REMOVE REFLECTOR RETAINING SCREWS AND LIFT OUT REFLECTOR. REMOVE RETAINING STRAP TO REMOVE ARM.

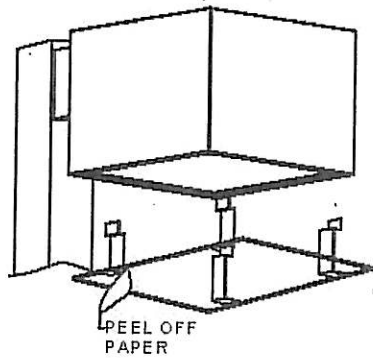


FIG. 8  
H. VANDAL SHIELD INSTALLATION  
(OPTIONAL)

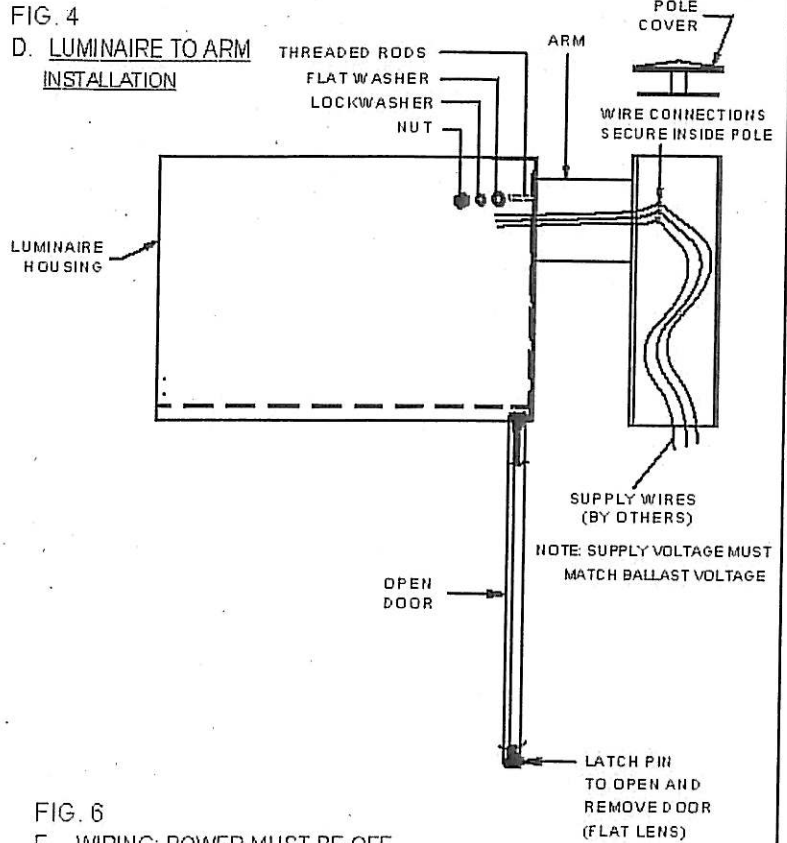
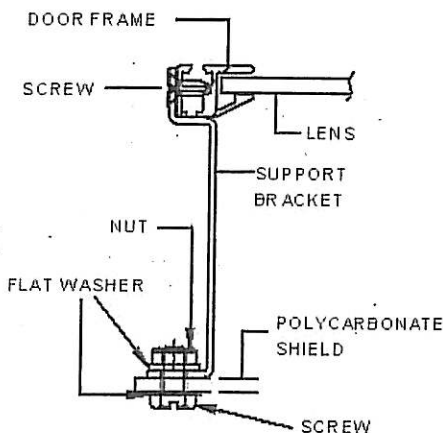
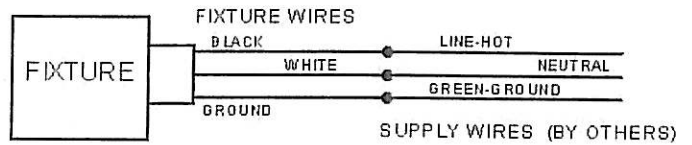
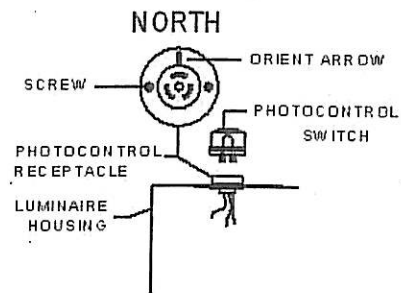


FIG. 6  
F. WIRING: POWER MUST BE OFF  
WIRING MUST BE PERFORMED BY A QUALIFIED ELECTRICIAN



WIRE CONNECTIONS TO BE MADE INSIDE POLE WITH FIXTURE WIRES AND SUPPLY WIRES (BY OTHERS). SECURE CONNECTIONS INSIDE POLE. PUSH WIRES AND WIRENUTS INSIDE POLE AND INSTALL POLE COVER.

FIG. 7  
G. PHOTOCONTROL SWITCH



NOTE: THE LIGHT WILL NOT OPERATE WITHOUT A PHOTOCONTROL SWITCH OR A SHORTING CAP IN PLACE. DO NOT LEAVE RECEPTACLE OPEN TO THE ELEMENTS.