

SPAULDING LIGHTING

NEWARK SERIES INSTALLATION INSTRUCTIONS SMALL & MEDIUM AREA LIGHTS

**WARNING: DISCONNECT POWER BEFORE INSTALLATION
OR MAINTENANCE**

READ INSTRUCTIONS CAREFULLY BEFORE ATTEMPTING TO
INSTALL LUMINAIRE. FAILURE TO COMPLY WITH
INSTRUCTIONS COULD RESULT IN PERSONAL INJURY
AND/OR PROPERTY DAMAGE!
RETAIN INSTRUCTIONS FOR FUTURE REFERENCE.

PARTS SHIPPED WITH FIXTURE

NEWARK 1 (SMALL)

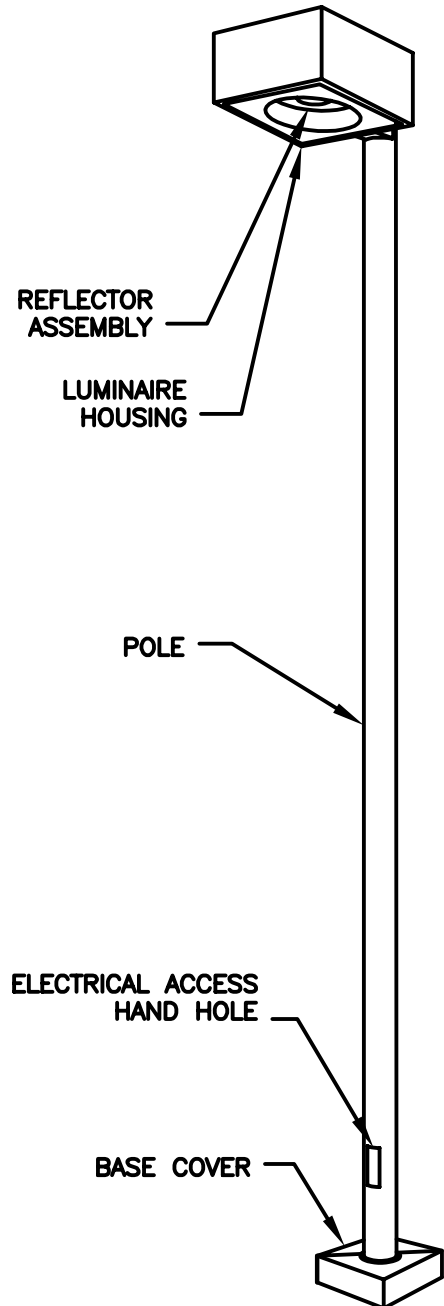
- * REFLECTOR ASSEMBLY - 1 PC.
- * HOUSING / DOOR ASSEMBLY
- * ARM & MTG HARDWARE - (SEPARATE CARTONS)

NEWARK 2 (MEDIUM)

- * REFLECTOR ASSEMBLY - 1 PC.
- * HOUSING / DOOR ASSEMBLY
- * ARM & MTG HARDWARE - (SEPARATE CARTONS)

GENERAL INFORMATION

1. All workmanship and materials used to make connection to the luminaire are to be in accordance with the N.E.C., Local Codes, and job specifications.
2. This luminaire shall be adequately grounded for your protection against shock hazard and to assure proper operation.
3. All wiring should be performed by a qualified electrician.
4. Make certain that the power source conforms to the requirements of the luminaire. (Correct ballast voltage)
5. Before installing or servicing, disconnect power. Allow plenty of time for luminaire and lamp to cool off.
6. Failure to follow the above safety instructions could result in a fatal shock hazard.



Hubbell Lighting, Inc.

NEWARK SERIES - ARM ASSEMBLY INSTALLATION INSTRUCTIONS

SMALL & MEDIUM AREA LIGHTS

MOUNTING INSTALLATION (FIGURES 1, 2 & 3)
FOR SQUARE, ROUND & TAPERED POLES.

1. For convenience of mounting the luminaire to the arm and pole assembly, lay the pole flat on a set of saw-horses.
2. Prepare the arm and attach the arm to the pole (FIGURES 1-3).

KIT CONTENTS: SQUARE, ROUND & TAPERED POLES

ITEM	QUAN.	DESCRIPTION
A	1	ARM, 6"
C	4	THREADED ROD, 3/8-16 X 10 LG (SQUARE POLES)
C	4	3/8-16 X 11 LG (ROUND), 3/8-16 X 9 LG (TAPERED)
E	8	FLAT WASHER, 3/8 (4-for Round or Tapered poles)
F	8	LOCKWASHER, 3/8 SPLIT (4-for Round or Tapered poles)
G	8	HEX NUT, 3/8 - 16 (4-for Round or Tapered poles)
H	4	RETAINER, 3/8 PUSHNUT
J	1	ROUND POLE ADAPTER (Round Pole Option)
K	1	NUT-PLATE (Round Pole Option)
L	1	NUT-PLATE (Tapered Pole Option)
M	2	BOLT, 1/2 - 13 X 1-3/4 LG.
N	1	TAPERED POLE ADAPTER
P	2	LOCKWASHER, 1/2 SPLIT
R	2	FLAT WASHER, 1/2

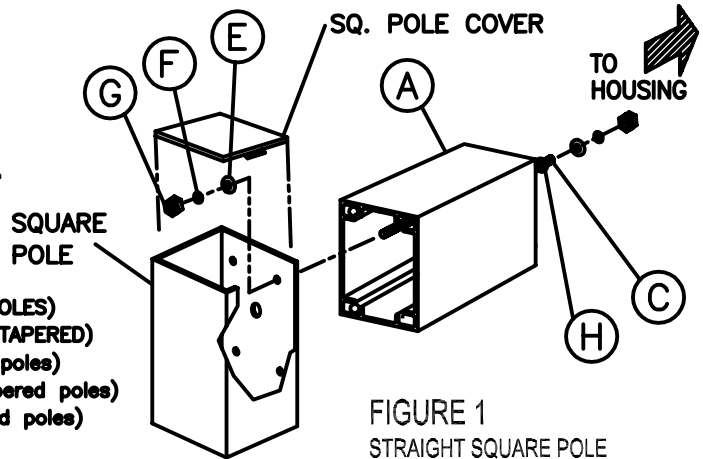


FIGURE 1
STRAIGHT SQUARE POLE

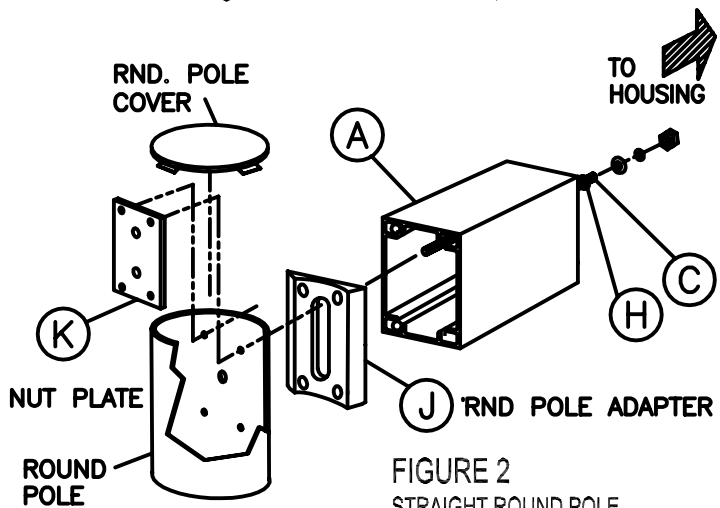


FIGURE 2
STRAIGHT ROUND POLE

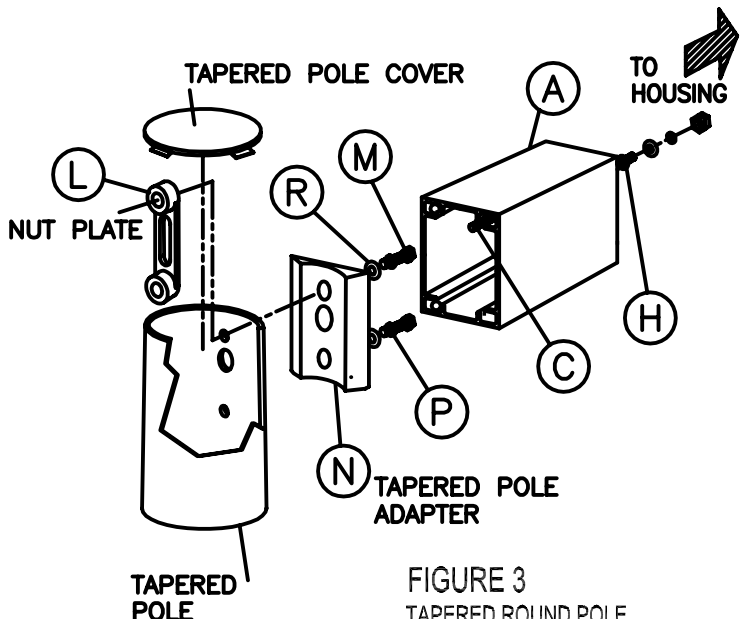


FIGURE 3
TAPERED ROUND POLE

MOUNTING ARM TO POLE

A. FIGURE 1 : STRAIGHT SQUARE POLE INSTALLATION

1. Insert (4) threaded rods (C) into pole. Attach (4) flat washers (E), (4) lockwashers (F) and (4) nuts (G) to the ends of the rods inside the pole.
2. Slide extruded arm (A) over threaded rods (C). Some arms will have a label on top, if so, follow the instructions on the label. To hold the arm in place, slide (4) pushnuts (H) onto each threaded rod and secure them against the arm.

B. FIGURE 2 : STRAIGHT ROUND POLE

1. Using the proper round pole adapter (J), place flat side against the arm (A). Attach rods (C) into nut-plate (K) placed inside pole.
2. Slide extruded arm (A) with adapter (J) over threaded rods (C). To hold the arm in place, slide (4) pushnuts (H) onto each threaded rod and secure them against the arm.

C. FIGURE 3 : TAPERED ROUND POLE

1. Insert (2) 1/2-13 bolts (M) with lockwasher (P) and flatwasher (R) through pole adapter (N).
2. Mount adapter (N) to the pole using the cast nut-plate (L) placed inside the pole.
3. Attach rods (C) into adapter (N).
4. Slide extruded arm (A) over threaded rods (C). To hold the arm in place slide (4) pushnuts (H) onto each threaded rod and secure them against the arm.