

INSTALLATION INSTRUCTIONS FOR NITETORCH NRG-600 SERIES

The Nitetorch is available in low wattage high pressure sodium and fluorescent. Two styles are offered - post top mount or wall mount. For post top mount installation, consult factory for 3 inch diameter pole. Photocontrol switch is factory installed option.

STEPS: Turn power off.

Post Top Mount Ballast Housing Installation (Fig. 1):

1. Assemble the refractor (A) on top of the socket housing (B) using the (2) #8 hex head screws (C). When using 26 watt fluorescent unit, place spacer (U) between refractor (A) and socket housing (B).
2. Pull the fixture wires (D) out of wiring access hole (E).
3. Allow a minimum of 12 inches of supply wire (F) out of pole top.
4. Install the unit to the post and guide the supply wires to come out of the wiring access hole (E).
5. Slip fit the fitter over the pole top. Plumb the unit with the post then securely fasten using the three set screws (G). NOTE: Loop all supply leads through cable strap (T). This will protect the wire connection from getting pulled out due to the weight of the supply wires.
6. Refer to wiring diagram (Fig. 6) and make the necessary connections in accordance with the local and national electrical code.
7. Push the wires and connections inside the fitter compartment. Install wiring access cover (H) using (2) flat head screws.
8. Install the lamp into the socket.

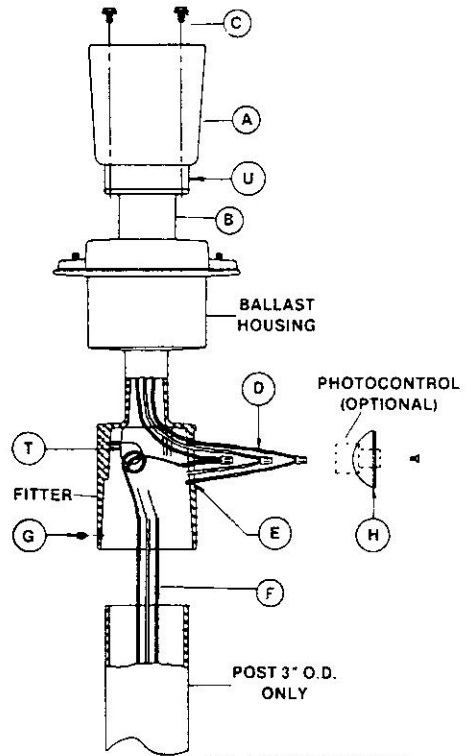


FIG. 1 POST TOP MOUNT

Wall Mount - Ballast Housing Installation (Fig. 2):

1. Take the mounting plate (J). Insert the supply wires (K) coming out of the junction box thru wiring hole (M). Install the mounting plate to the wall using the appropriate hardware (by others) recommended to hold the fixture. Fixture weighs approximately 8 lbs. NOTE: The two slotted holes (L) on the mounting plate must be on the top side when installed (Fig. 3).
2. Bring the wires out of the access hole (N).
3. Install the three set screws (O) to arm.
4. Install the fixture to the mounting plate (J) and tighten the three set screws (O) securely.
5. Pull out the supply wires inside the arm and make the necessary wiring connections (see wiring diagram Fig. 6).
6. Push the wires and connections inside the arm. Install the wiring access cover (P) using (2) #8 pan head screws (R).
7. Assemble the refractor (A) on top of the socket housing (B) using the (2) #8 hex head screws (C). When using 26 watt fluorescent unit, place spacer (U) between refractor (A) and socket housing (B). Install the lamp into the socket.

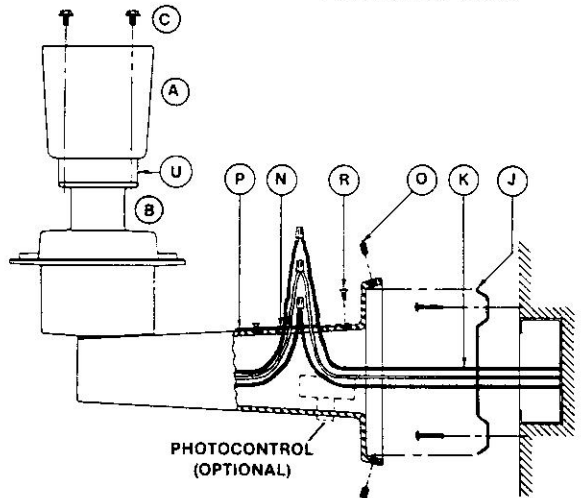


FIG. 2. WALL MOUNT

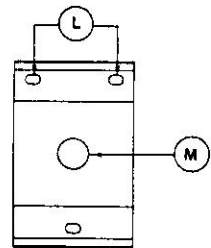


FIG. 3. WALL MOUNTING PLATE



Hubbell Lighting, Inc.
 A Subsidiary of Hubbell Incorporated
 2000 Electric Way
 Christiansburg, VA 24073-2500
 (540) 382-6111
 FAX (540) 382-1526

268-0395-9701

Enclosure Mounting (Cube, Sphere, or Coach Lantern)

Fig. 4:

1. Use an allen wrench to loosen the two clamping screws (N) and open up the clamping plate (P).
2. Engage the enclosure (R) under the clamp (P). This is done by straddling from side to side.
3. Make sure that the enclosure is properly seated against the gasket (Q). Tighten the (2) clamping screws (N).
4. Wipe off the dirt and fingerprints off the enclosure.

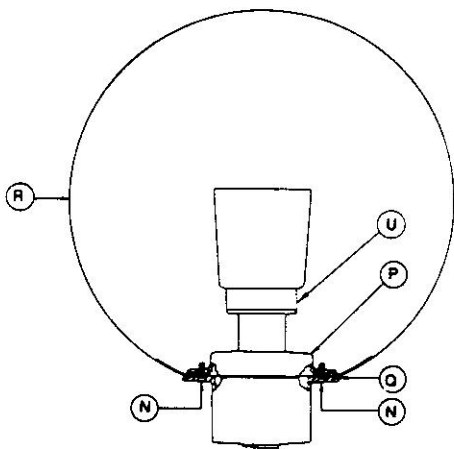


FIG. 4

Coach Lantern Assembly (Fig. 5). The carton should contain the following:

- 1 - Housing
 - 1 - Main Cover
 - 1 - Round Cover
 - 1 - Pawn Finial
 - 1 - Threaded Nipple
 - 1 - Hex Nut
 - 1 - Gasket (Washer)
 - 4 - Screws
1. Thread the nipple to the pawn finial.
 2. Align the center holes of the round cover with the main cover in an orientation shown on Fig. 5.
 3. Assemble the two parts together using the threaded nipple with pawn finial on the outside and hex nut on the inside.
 4. Align the (4) corner holes of the assembled covers with the (4) corner holes on the housing.
 5. Assemble the two parts using the (4) screws.
 6. Refer to enclosure mounting instructions.

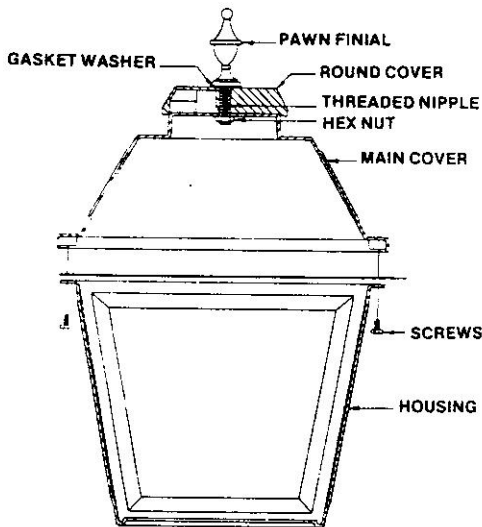
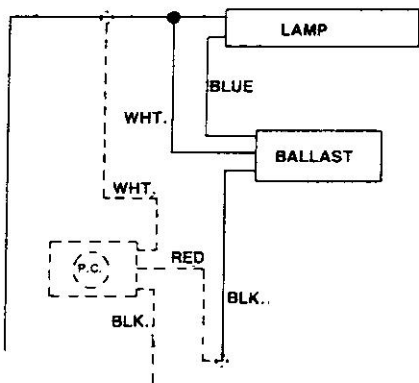


FIG. 5 COACH LANTERN



WIRING DIAGRAM FOR 20W FLUORESCENT

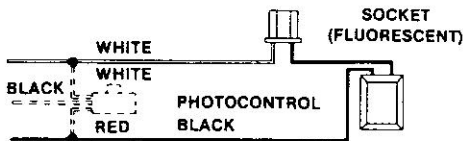
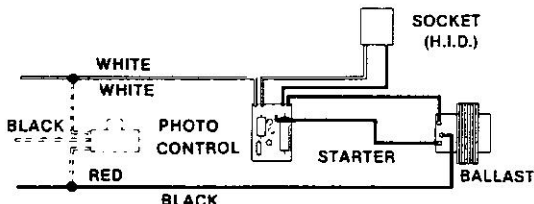


FIG. 6. WIRING DIAGRAMS



Hubbell Lighting, Inc.
 A Subsidiary of Hubbell Incorporated
 2000 Electric Way
 Christiansburg, VA 24073-2500
 (540) 382-6111
 FAX (540) 382-1528

268-0395-9701