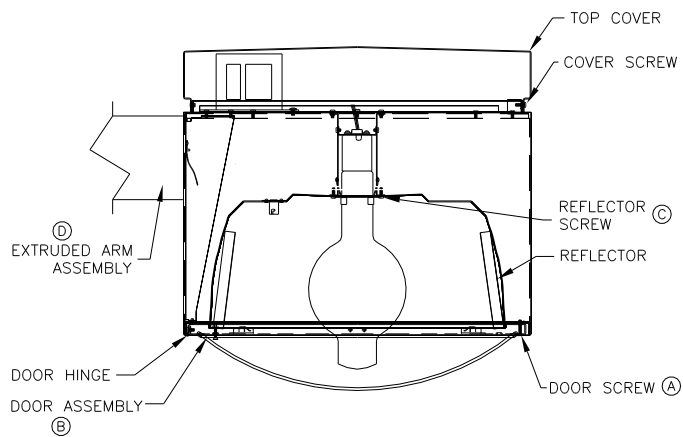


INSTALLATION INSTRUCTIONS VERTICAL AREA LIGHT



1. DISCONNECT POWER BEFORE INSTALLING.
2. UNPACK FIXTURE AND INSPECT FOR DAMAGE
3. TO OPEN DOOR ,LOOSEN (3) SCREWS (A) AND SWING DOOR ASSEMBLY (B) OUT.
5. MOUNT FIXTURE TO EXTRUDED ARM (D) BY FOLLOWING INSTRUCTIONS PROVIDED WITH EXTRUDED ARM ASSEMBLY.
6. BRING SERVICE WIRES THRU MOUNTING ARM AND SECURE TO INSIDE OF FIXTURE BY FOLLOWING THE STRAIN RELIEF AND INSTALLATION INSTRUCTIONS PROVIDED.
7. WIRE SERVICE LEADS TO FIXTURE POWER LEADS ACCORDING TO LOCAL AND NATIONAL ELECTRICAL CODES.
8. SECURE REFLECTOR USING (4) REFLECTOR SCREWS (C).
9. INSTALL LAMP BY INSERTING LAMP THRU LAMP GRIP COMPRESSION RING.
10. CLOSE DOOR (B) AND SECURE WITH (3) DOOR SCREWS (A).

74449A00
12/29/94 - REV-A