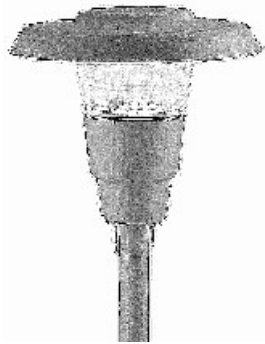


INSTALLATION INSTRUCTIONS PEACHTREE



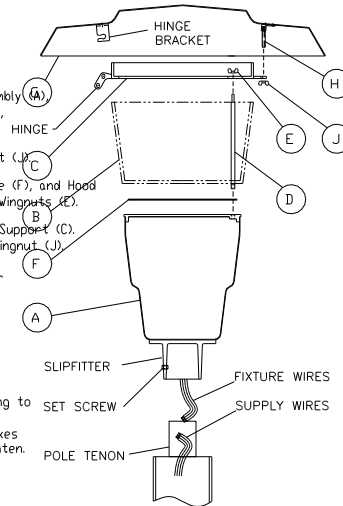
READ INSTRUCTIONS CAREFULLY BEFORE ATTEMPTING TO INSTALL LUMINAIRE. FAILURE TO COMPLY WITH INSTRUCTIONS COULD RESULT IN PERSONAL INJURY AND/OR PROPERTY DAMAGE! RETAIN INSTRUCTIONS FOR FUTURE REFERENCE.

GENERAL INFORMATION

1. All workmanship and materials used to make connection to the luminaire are to be in accordance with the N.E.C., Local Codes, and job specifications.
2. This luminaire shall be adequately grounded for your protection against shock hazard and to assure proper operation.
3. All wiring should be performed by a qualified electrician.
4. Make certain that the power source conforms to the requirements of the luminaire. (Correct ballast voltage)

WARNING: DISCONNECT POWER BEFORE INSTALLATION OR MAINTENANCE

1. Unpack Fixture parts containing Housing/Ballast assembly (A), Lens (B), Cast Hood Support (C), (3) Support Rods (D), with Wing Nuts (E), and Reflector Plate (F).
2. Unpack Hood Assembly (G), with Latch (H), and Wingnut (J).
3. Insert (3) Rods (D) through Lens (B), Reflector Plate (F), and Hood Support (C). Thread into Housing (A). Retain with (3) Wingnuts (E).
4. Attach Hinge Bracket on Hood (G) to Hinge on Hood Support (C). Insert Latch (H) through Hood Support and attach Wingnut (J).
5. Connect Supply Wires from pole to the Fixture Power Leads according to local and NEC.
6. Slide Slipfitter over Pole Tenon. Aim Fixture for Proper Lighting Application. Tighten (3) Set Screws provided with Slipfitter.
7. To Lamp or Re-Lamp fixture, loosen Wing Nut (J) and Hinge back top Hood (G). Install proper Lamp according to the Label on top of Reflector Plate (F). Engage the lamp to the socket. To ensure lamp makes proper contact, loosen the lamp one turn then retighten. Replace Wingnut (J) to complete installation.



74252A01