

INSTALLATION INSTRUCTIONS FOR SANTA FE

WARNING: DISCONNECT POWER PRIOR TO INSTALLATION OR SERVICING OF FIXTURE.

GENERAL NOTES

1. ALL WORKMANSHIP AND MATERIALS USED TO MAKE CONNECTION TO LIGHT FIXTURE ARE TO BE IN ACCORDANCE WITH THE N.E.C., LOCAL CODES, AND JOB SPECIFICATIONS.
2. PRIOR TO CONNECTION OR ENERGIZING OF BALLAST, VERIFY THAT THE LINE VOLTAGE CORRESPONDS WITH THE BALLAST VOLTAGE. ALSO VERIFY THAT THE LAMP IS THE TYPE AND WATTAGE AS SHOWN ON THE BALLAST.

FIXTURE ACCESS

1. OPEN DOOR (C) BY SLIDING TWO (2) LATCH PINS (A) OR (B) INWARD AS INDICATED IN FIG.1. NOTE THAT THE DOOR CAN BE FULLY REMOVED BY SLIDING FOUR (4) LATCH PINS (A&B).
2. TO GAIN ACCESS TO THE INSIDE OF THE FIXTURE AND BALLAST, TWIST TWO (2) FASTENERS (D) 90° AND PULL REFLECTOR PANEL (E) OPEN. SEE FIG. 1.

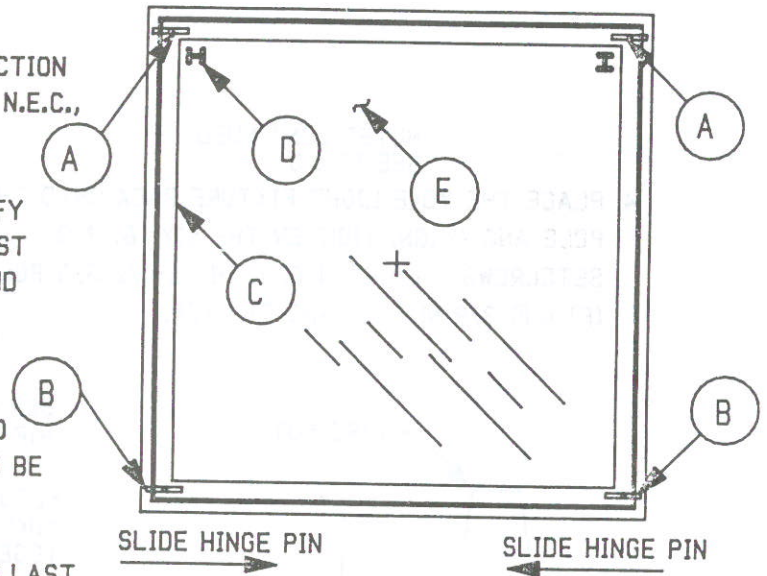


FIG. 1

FOR YOKE MOUNT

SEE FIG. 2

THE YOKE MOUNTING COMES WITH A 2" SLIPFITTER (H) TO FIT A 2" TENON POLE. THE 2" SLIPFITTER (H) COMES WITH THE FOLLOWING;

1-3/8-16 X 3-1/2 HEX HEAD BOLT (F)

6-3/8-16 SET SCREWS (G)

1-3/8-16 HEX NUT (J)

1. REMOVE THE 3/8 NUT (J) AND BOLT (F) FROM THE SLIPFITTER (H) AND LOOSEN SETSCREWS (G).
2. PLACE YOKE LIGHT FIXTURE ONTO THE POLE AND ALIGN THE FIXTURE. USE THE HOLES IN THE SLIPFITTER (H) FOR THE 3/8 BOLT (F) AS A TEMPLATE FOR DRILLING A 3/8 CLEARANCE HOLE IN THE TENON.

CAUTION: BEFORE DRILLING HOLES IN THE TENON POLE, REMOVE THE YOKE LIGHT FIXTURE FROM THE POLE AS NOT TO DAMAGE THE EXISTING WIRING WITHIN THE SLIPFITTER.

3. AFTER DRILLING HOLES IN THE TENON POLE, WIRE THE SERVICE WIRES TO THE WIRES IN THE YOKE WITH THE OPENING OF THE WIRE NUTS FACING DOWN AND SECURE TOGETHER BY WRAPPING WITH APPROVED ELECTRICAL TAPE.

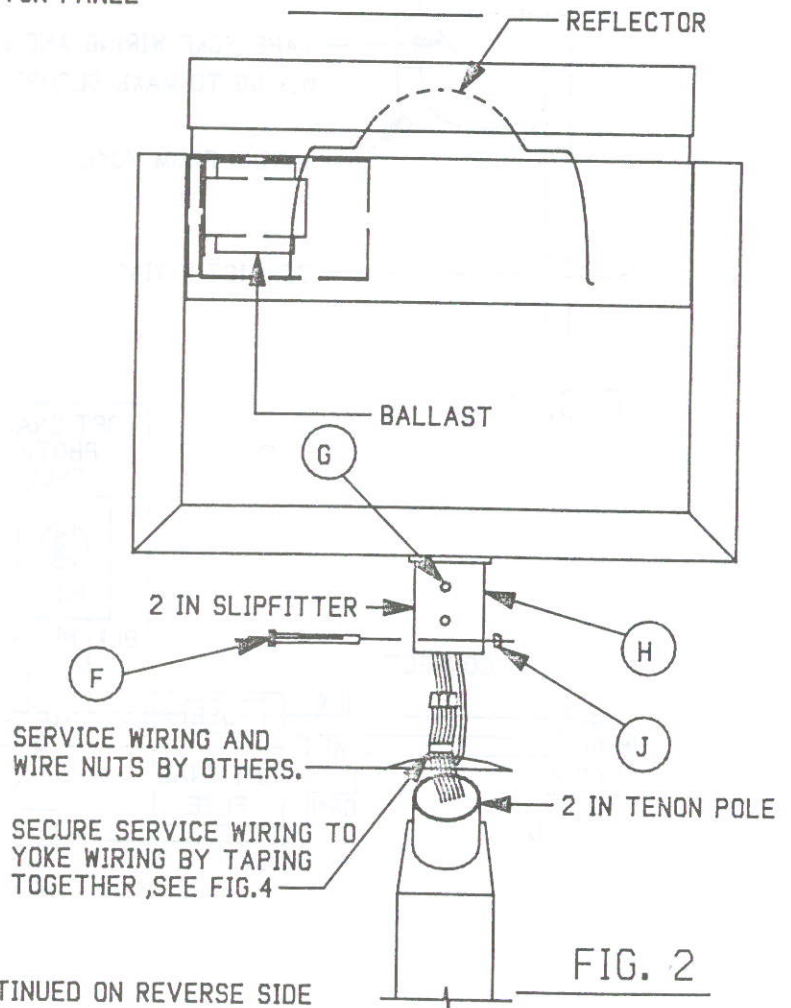


FIG. 2

INSTRUCTIONS CONTINUED ON REVERSE SIDE

SPAULDING
LIGHTING, INC.
 INDALUX WHITEWAY

HLG-423
 74434A01
 REV.1, 8-5-92

NOTES CONTINUED
SEE FIG. 3

4. PLACE THE YOKE LIGHT FIXTURE BACK ONTO THE POLE AND ALIGN. TIGHTEN THE SIX (6) 3/8 SETSCREWS (G) AND INSERT THE 3-1/2 3/8 BOLT (F) AND 3/8 NUT (J) AND TIGHTEN.

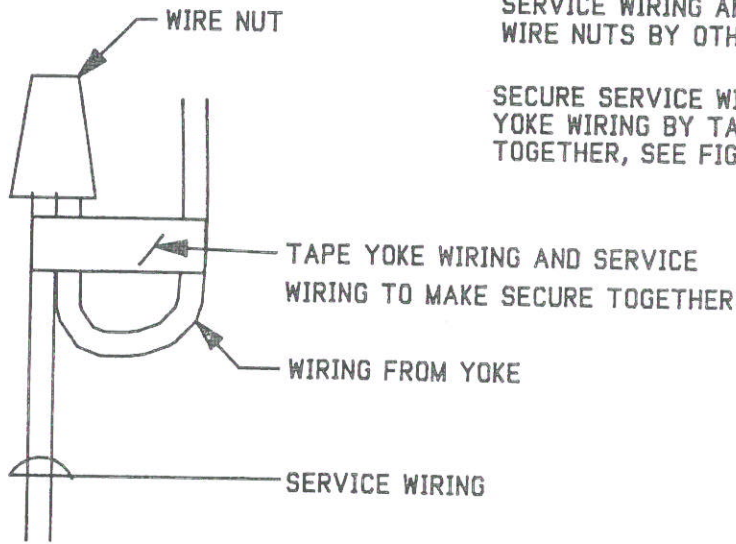


FIG. 4

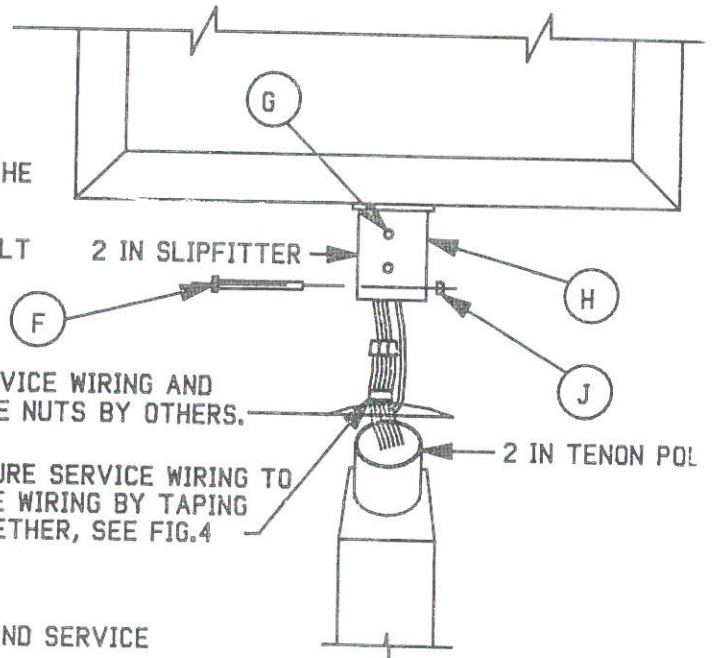
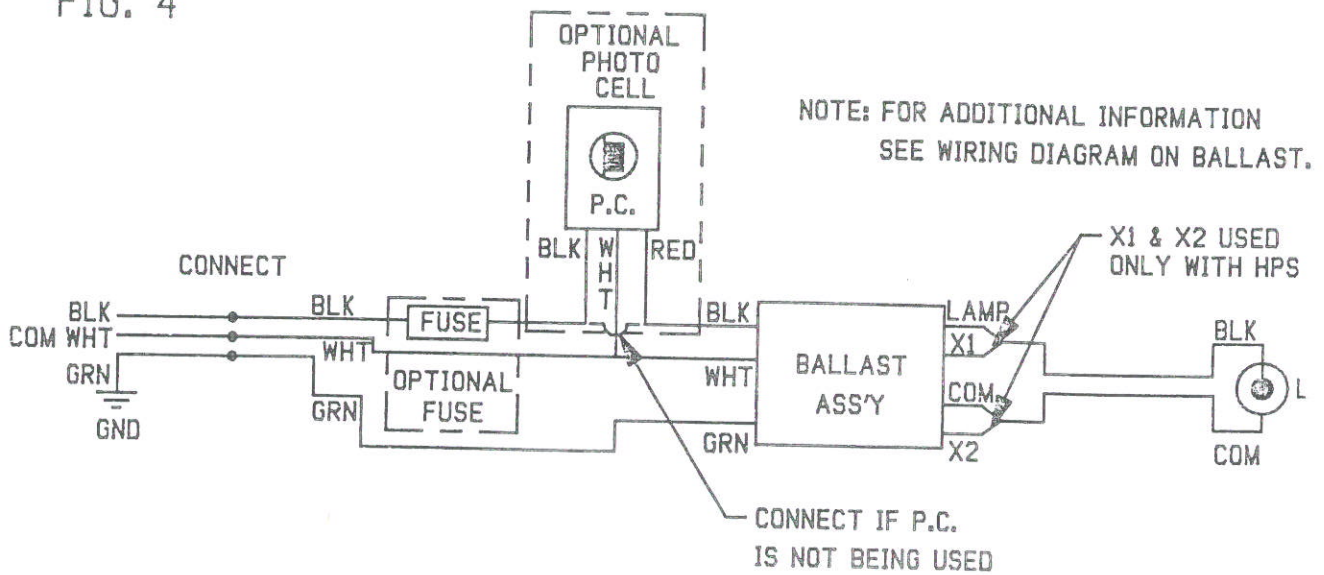


FIG. 3



WIRING DIAGRAM
FIG. 5