

# WASHINGTON SERIES INSTALLATION INSTRUCTIONS

## SMALL, MEDIUM, & LARGE SEMI-SPHERICAL AREA LIGHT

**WARNING: DISCONNECT POWER BEFORE INSTALLATION  
OR MAINTENANCE**

READ INSTRUCTIONS CAREFULLY BEFORE ATTEMPTING TO  
INSTALL LUMINAIRE. FAILURE TO COMPLY WITH  
INSTRUCTIONS COULD RESULT IN PERSONAL INJURY  
AND/OR PROPERTY DAMAGE!  
RETAIN INSTRUCTIONS FOR FUTURE REFERENCE.

### PARTS SHIPPED WITH FIXTURE

| ITEM | DESCRIPTION |
|------|-------------|
|------|-------------|

#### WASHINGTON-I (SMALL)

- \* BALLAST PLATE ASSEMBLY - 1 PC. (SEPARATE CARTON)
- \* #10-24 X 1/2" SCREW - 3 PCS.
- \* REFLECTOR ASSEMBLY - 1 PC.
- \* HOUSING / DOOR ASSEMBLY
- \* ARM & MTG HARDWARE - (SEPARATE CARTONS)

#### WASHINGTON-II (MEDIUM)

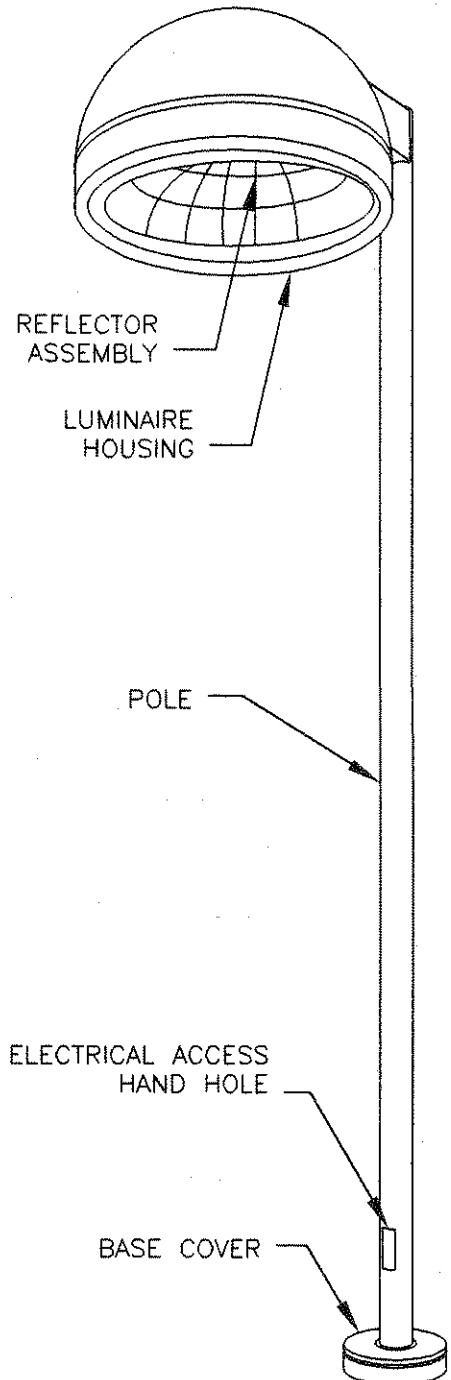
- \* BALLAST PLATE ASSEMBLY - 1 PC. (SEPARATE CARTON)
- \* 1/4-20 X 1/2" SCREW - 2 PCS.
- \* REFLECTOR ASSEMBLY - 1 PC.
- \* HOUSING / DOOR ASSEMBLY
- \* ARM & MTG HARDWARE - (SEPARATE CARTONS)

#### WASHINGTON-3 (LARGE)

- \* REFLECTOR ASSEMBLY - 1 PC.
- \* HOUSING / DOOR ASSEMBLY
- \* ARM & MTG HARDWARE - (SEPARATE CARTONS)

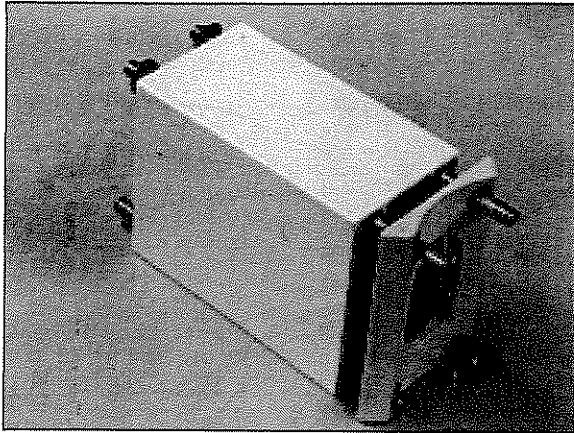
OPTIONS: Quantities based on order configuration.

- \* Washington II & III Arm hardware mounting kits (Figures 1-3)
  - \* Straight square pole mounting kit (Figure 1)
  - \* Straight round pole mounting kit (Figure 2)
  - \* Tapered round pole mounting kit (Figure 3)
- \* Washington I Pole mounting kits (Figure 7)
- \* Washington I & II Wall mounting hardware kit (Figure 9)
- \* Spider mounting (Figure 10)
- \* Vandal shield (Optional) (Figure 11)
- \* Photocontrol switch (Optional) (Figure 12)
- \* Lamp Support (Optional) (Figure 13)

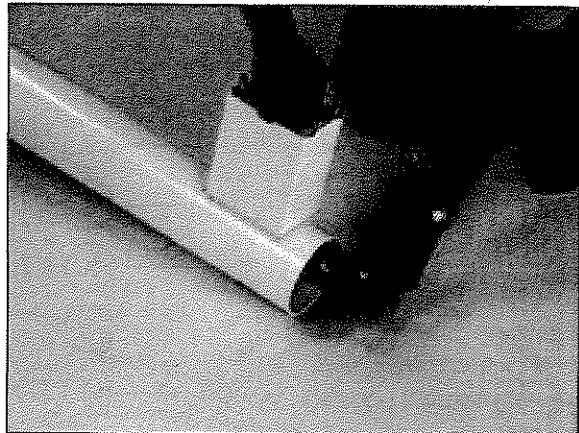


**IMPORTANT: BASE COVERS MUST BE ASSEMBLED ONTO  
ROUND POLE PRIOR TO ATTACHING FIXTURE TO POLE**

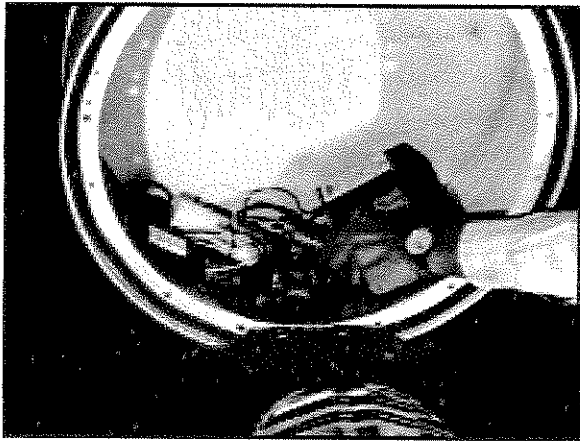
# INSTALLATION INSTRUCTIONS FOR WASHINGTON SERIES



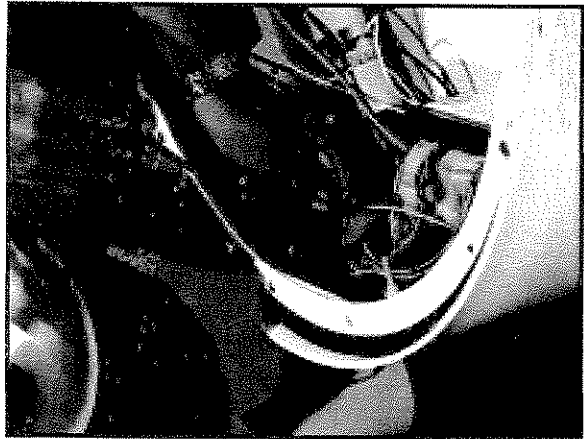
**STEP 1: PREPARE ARM WITH MOUNTING HARDWARE.**



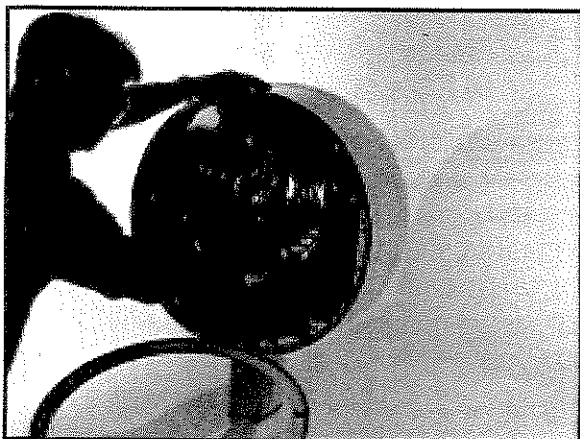
**STEP 2: ATTACH ARM TO POLE.**



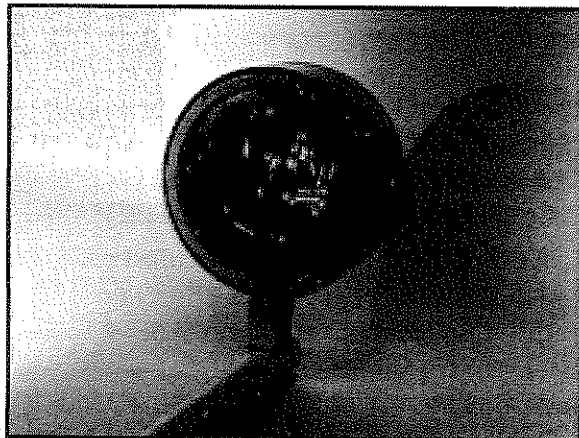
**STEP 3: ATTACH HOUSING TO ARM.**



**STEP 4: INSERT FIBERGLASS SLEEVING TO SUPPLY WIRES.**



**STEP 5: CLOSE REFLECTOR PANEL  
INSTALL LAMP.**



**STEP 6: CLOSE AND SECURE DOOR.**

# INSTALLATION INSTRUCTIONS

## WASHINGTON-II & III

### MEDIUM & LARGE SEMI-SPHERICAL AREA LIGHT

#### MOUNTING INSTALLATION (FIGURES 1, 2 & 3)

##### FOR SQUARE, ROUND & TAPERED POLES.

1. For convenience of mounting the luminaire to the arm and pole assembly, lay the pole flat on a set of saw-horses.
2. Prepare the arm and attach the arm to the pole (FIGURES 1-3).

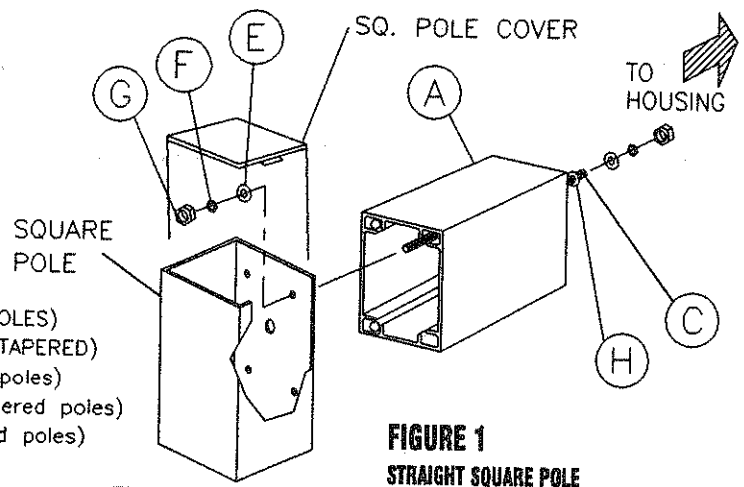
#### KIT CONTENTS: SQUARE, ROUND & TAPERED POLES

| ITEM | QUAN. | DESCRIPTION  |
|------|-------|--|
| A    | 1     | ARM, 6"  |
| C    | 4     | THREADED ROD, 3/8-16 X 10 LG (SQUARE POLES)          |
| C    | 4     | 3/8-16 X 11 LG (ROUND), 3/8-16 X 9 LG (TAPERED)      |
| E    | 8     | FLAT WASHER, 3/8 (4-for Round or Tapered poles)      |
| F    | 8     | LOCKWASHER, 3/8 SPLIT (4-for Round or Tapered poles) |
| G    | 8     | HEX NUT, 3/8 - 16 (4-for Round or Tapered poles)     |
| H    | 4     | RETAINER, 3/8 PUSHNUT                                |
| J    | 1     | ROUND POLE ADAPTER (Round Pole Option)               |
| K    | 1     | NUT-PLATE (Round Pole Option)                        |
| L    | 1     | NUT-PLATE (Tapered Pole Option)                      |
| M    | 2     | BOLT, 1/2 - 13 X 1-3/4 LG.                           |
| N    | 1     | TAPERED POLE ADAPTER                                 |
| P    | 2     | LOCKWASHER, 1/2 SPLIT                                |
| R    | 2     | FLAT WASHER, 1/2                                     |

#### MOUNTING ARM TO POLE

##### A. FIGURE 1: STRAIGHT SQUARE POLE INSTALLATION

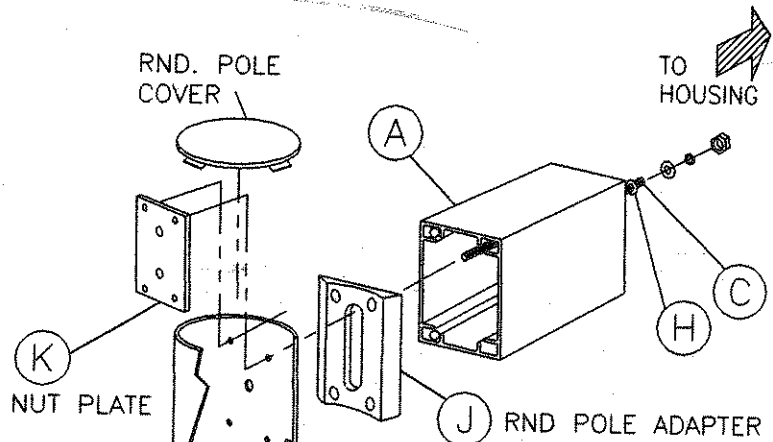
- \* Insert (4) threaded rods (C) into pole. Attach (4) flat washers (E), (4) lockwashers (F) and (4) nuts (G) to the ends of the rods inside the pole.
- \* Slide extruded arm (A) over threaded rods (C). Some arms will have a label on top, if so, follow the instructions on the label. To hold the arm in place, slide (4) pushnuts (H) onto each threaded rod and secure them against the arm.



**FIGURE 1**  
STRAIGHT SQUARE POLE

##### B. FIGURE 2: STRAIGHT ROUND POLE

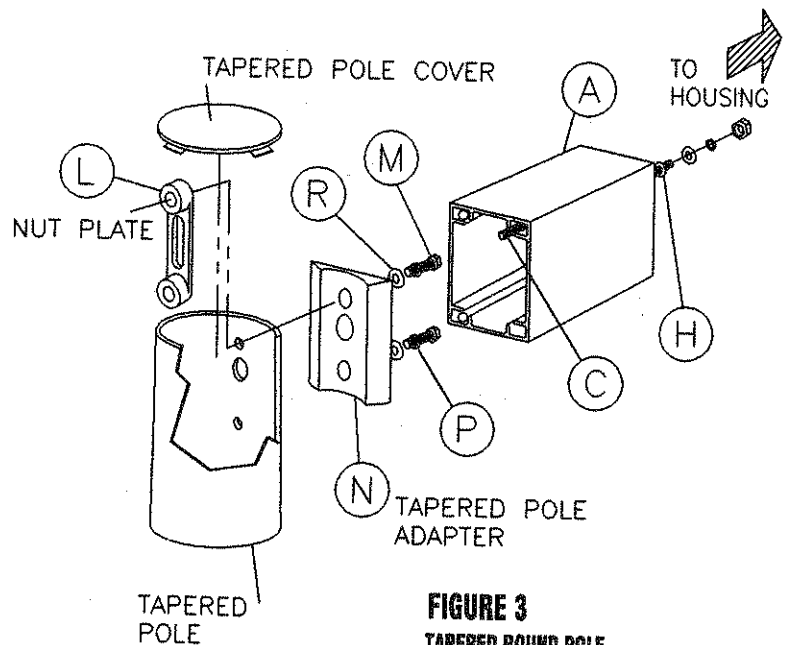
- \* Using the proper round pole adapter (J), place flat side against the arm (A). Attach rods (C) into nut-plate (K) placed inside pole.
- \* Slide extruded arm (A) with adapter (J) over threaded rods (C). To hold the arm in place, slide (4) pushnuts (H) onto each threaded rod and secure them against the arm.



**FIGURE 2**  
STRAIGHT ROUND POLE

##### C. FIGURE 3: TAPERED ROUND POLE

- \* Insert (2) 1/2-13 bolts (M) with lockwasher (P) and flatwasher (R) through pole adapter (N).
- \* Mount adapter (N) to the pole using the cast nut-plate (L) placed inside the pole.
- \* Attach rods (C) into adapter (N).
- \* Slide extruded arm (A) over threaded rods (C). To hold the arm in place slide (4) pushnuts (H) onto each threaded rod and secure them against the arm.



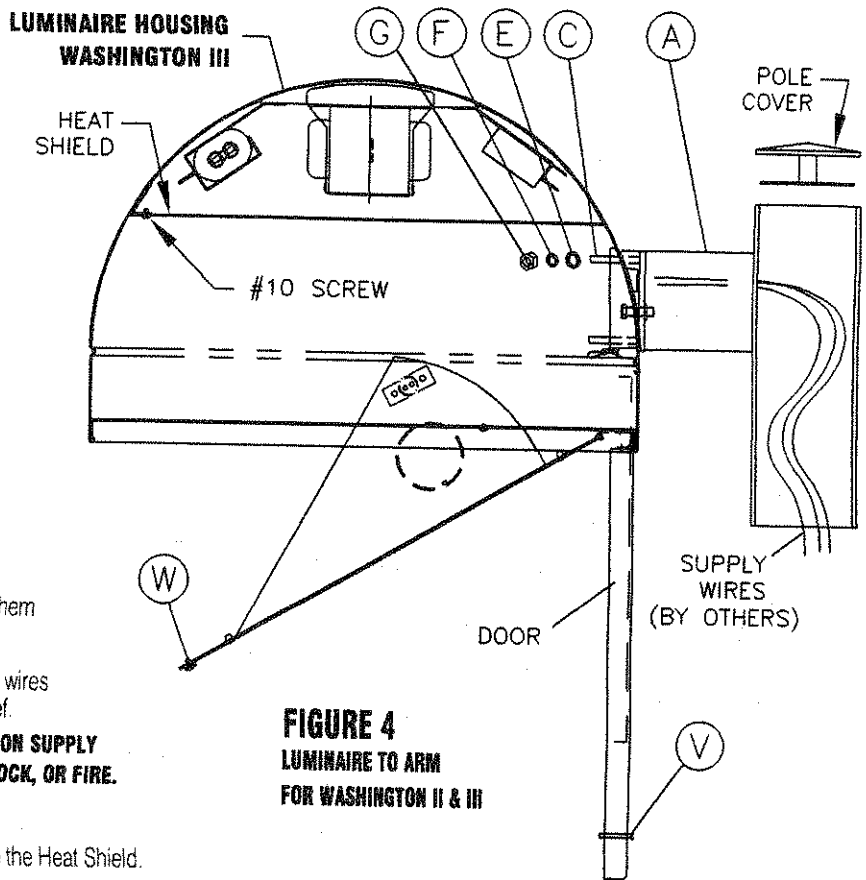
**FIGURE 3**  
TAPERED ROUND POLE

# INSTALLATION INSTRUCTIONS

## WASHINGTON-II & III

### D. LUMINAIRE INSTALLATION TO ARM (FIGURE 4)

- \* Loosen (2) door screws (V) and open door.
- \* Loosen (1) reflector panel assembly screw (W) and open reflector panel assembly (as shown).
- \* Lift and place luminaire housing onto the end of arm (A) engaging threaded rods (C).
- \* Secure housing by using (4) flat washers (E), lockwashers (F), and hex nuts (G).



**FIGURE 4**  
LUMINAIRE TO ARM  
FOR WASHINGTON II & III

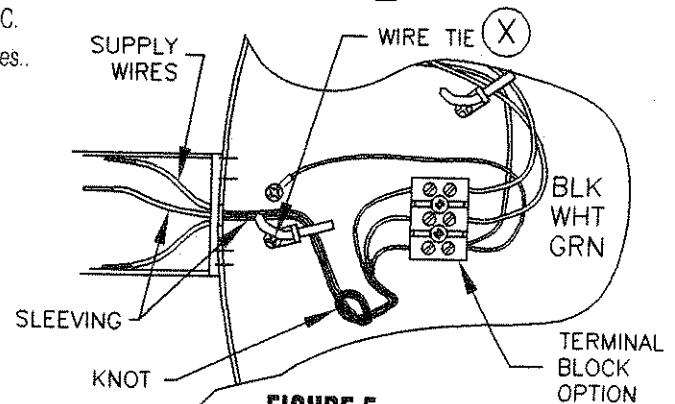
### E. WIRING: POWER MUST BE OFF. (WIRING MUST BE PERFORMED BY A QUALIFIED ELECTRICIAN.)

- \* Insert the supply wires (by others) into the wire way hole of the luminaire housing.
- \* Slip (2) 12 inch sleeves (provided) in the luminaire on to the supply wires. The ground wire does not require the sleeving. The sleeving should be on the supply wiring inside the luminaire. SEE FIGURE 5.
- \* Align the ends of the sleeving with the black and white supply wires. Group them with the green wire and secure them to the luminaire housing using the wire tie (X) provided.
- \* After securing the wiring, tie a knot in all three of the supply wires next to the wire tie (X) if possible. This allows for stress relief.

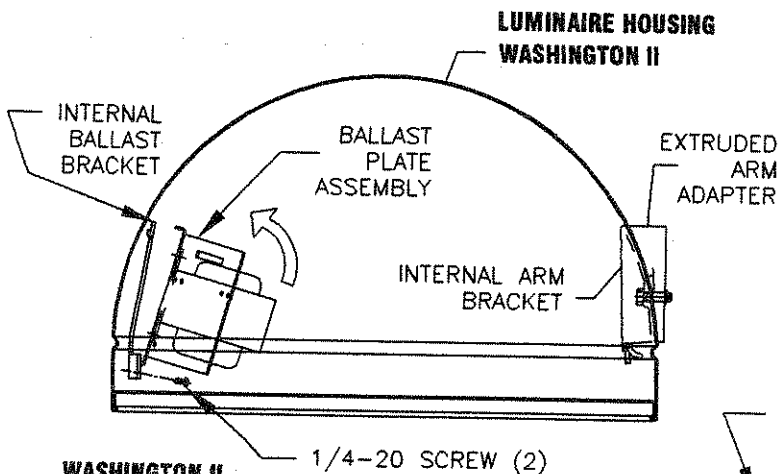
**CAUTION: FAILURE TO COMPLY WITH INSTALLING SLEEVING ON SUPPLY WIRING COULD RESULT IN MALFUNCTION OF LUMINAIRE, SHOCK, OR FIRE.**

### WASHINGTON III

- \* Remove the (4) #10 Screws from the Heat Shield. Remove the Heat Shield.
- \* Connect Supply Wires from pole to the Fixture Power Leads according to local and NEC.
- \* Replace the heat shield after wiring with (4) #10 screws, being careful not to pinch wires.

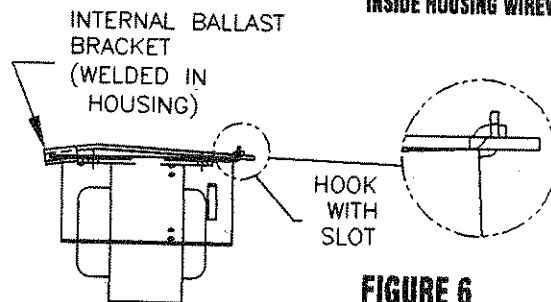


**FIGURE 5**  
INSIDE HOUSING WIREWAY



### WASHINGTON II

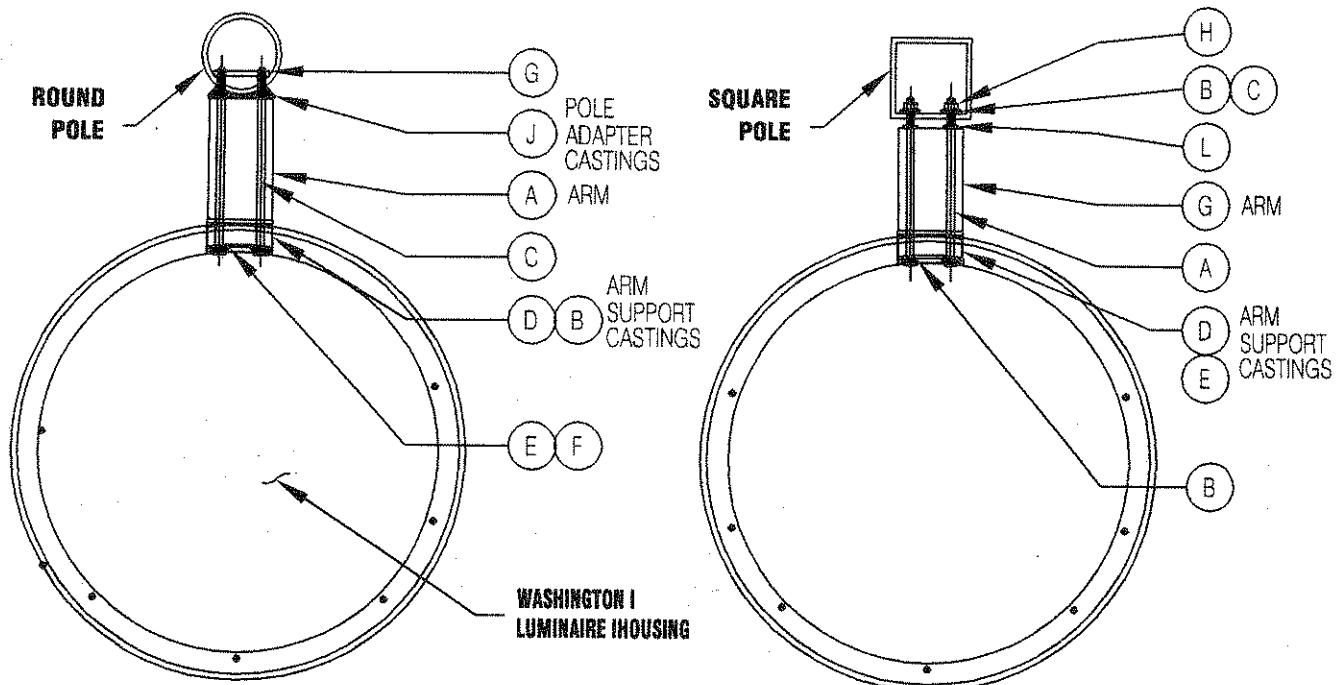
- \* Install the Ballast Assembly into the fixture by aligning the slot in the Ballast Plate with the Internal Ballast Bracket. Hook Plate on Bracket and Secure with (2) 1/4-20 screws provided in the ballast plate. Connect (2) circuit Socket Leads and (3) circuit Power leads.
- \* Secure the reflector assembly with the mounting screw (W).
- \* Install lamp (See Lamp Installation "K").
- \* Close door /Lens assembly and secure with (2) captive door screws (V).



**FIGURE 6**  
BALLAST TRAY INSTALLATION  
FOR WASHINGTON II

# INSTALLATION INSTRUCTIONS

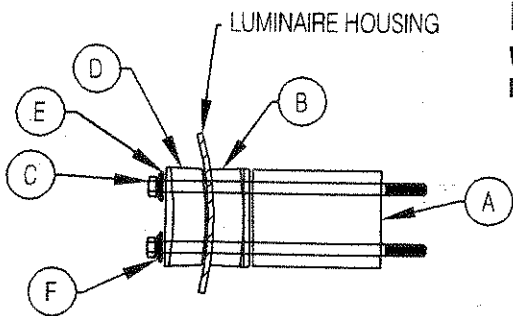
## WASHINGTON-I SMALL SEMI-SPHERICAL AREA LIGHT



**FIGURE 7**  
**WASHINGTON I**  
**POLE MOUNT INSTALLATION**

### PARTS SHIPPED WITH MOUNTING KIT

| ITEM | DESCRIPTION   |
|------|---|
| C    | 3/8-16 X 9" HEX HEAD BOLT - 4 PCS.                      |
| F    | 3/8 LOCKWASHER - 4 PCS.                                 |
| E    | 3/8 FLATWASHER - 4 PCS (ROUND POLE)                     |
| E    | 3/8 FLATWASHER - 8 PCS (SQUARE POLE)                    |
| D    | INTERIOR SUPPORT CASTING - 1 PC. - ASSEMBLED TO HOUSING |
| B    | EXTERIOR SUPPORT CASTING - 1 PC. - ASSEMBLED TO HOUSING |
| A    | 6" EXTRUDED ARM - 1 PC.                                 |
| K    | 3/8-16 MOUNTING PLATE - 1 PC (ROUND POLE)               |
| G    | 3/8-16 HEX NUTS - 4 PC (SQUARE POLE)                    |
| J    | POLE ADAPTER CASTING - 1 PC.                            |
| H    | 3/8 PUSHNUTS (SQUARE POLE)                              |



### EXTRUDED ARM TO ROUND POLE

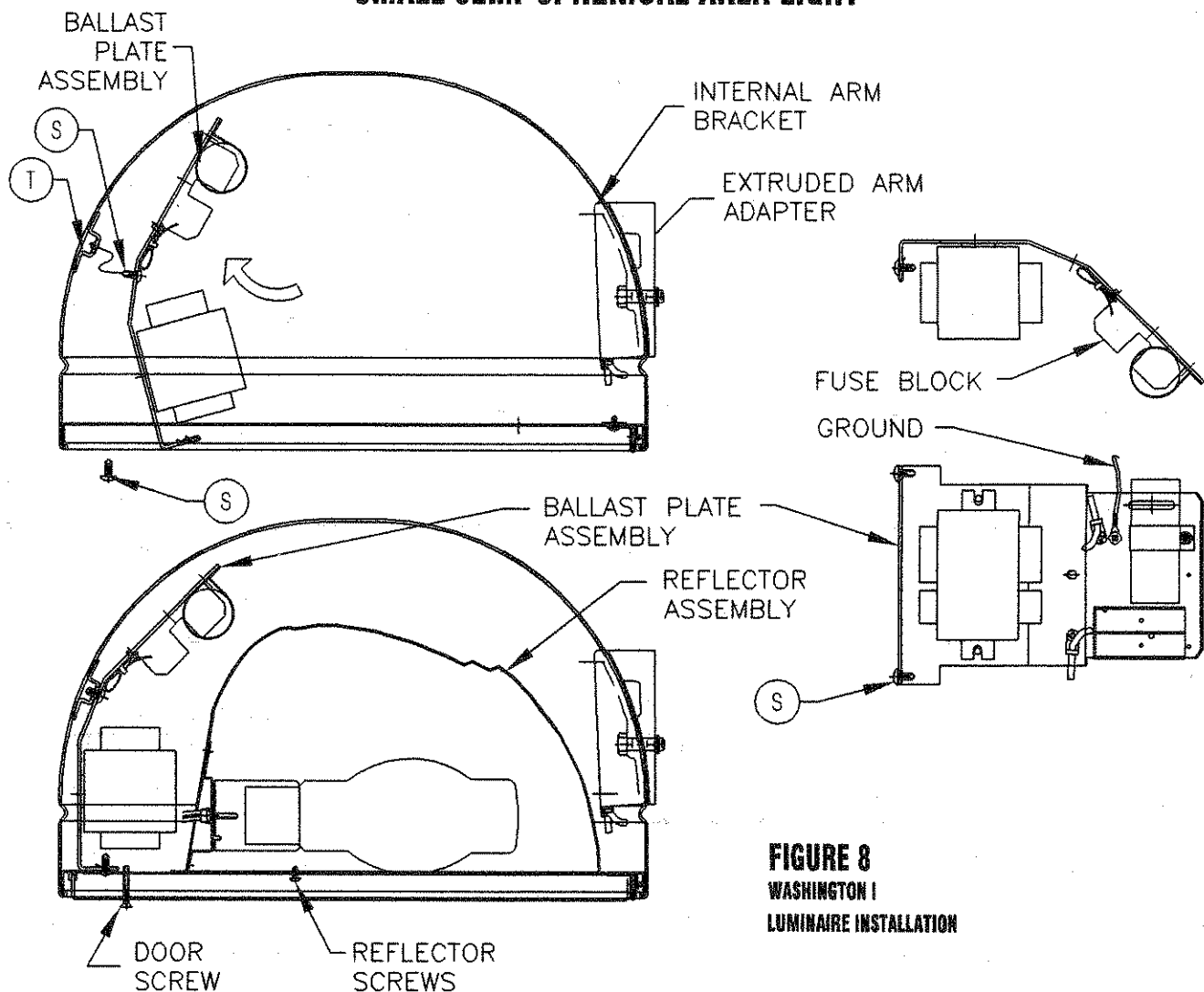
1. UNPACK THE FIXTURE AND CHECK THAT ALL PARTS WERE RECEIVED.
2. LOCATE THE (4) 3/8-16 X 9" HEX BOLTS (C), (4) 3/8 LOCKWASHERS (F) AND (4) 3/8" FLATWASHERS (E). SLIDE THE (4) BOLT ASSEMBLIES THROUGH THE HOLES IN THE INTERIOR (D) AND EXTERIOR (B) ARM SUPPORT CASTINGS, STARTING FROM INSIDE THE HOUSING.
3. SLIDE THE EXTRUDED ARM (A) OVER THE 4 MOUNTING BOLTS (C). SLIDE THE POLE ADAPTER CASTING (J) OVER THE (4) BOLTS (C).
4. WHILE SUPPORTING THE POLE AND HOUSING, SLIDE THE BOLTS OF THE HOUSING AND ARM ASSEMBLY INTO THE (4) HOLES IN THE POLE.
5. PLACE THE MOUNTING PLATE (K) INSIDE THE POLE AND ALIGN IT WITH THE (4) BOLT ENDS. SCREW THE (4) BOLTS (C) INTO THE MOUNTING PLATE (K) TO ATTACH ASSEMBLY. MAKE SURE THAT THE ARM IS SQUARE ON THE POLE. TIGHTEN (4) BOLTS (C) SECURELY.

### EXTRUDED ARM TO SQUARE POLE

1. LOCATE THE (4) 3/8-16 X 9" MOUNTING BOLTS (C), AND (4) 3/8" FLATWASHERS (E). SLIDE THE (4) BOLT ASSEMBLIES THROUGH THE HOLES IN THE INTERIOR (D) AND EXTERIOR (B) ARM SUPPORT CASTINGS, STARTING FROM INSIDE HOUSING.
2. SLIDE THE EXTRUDED ARM (A) OVER THE 4 MOUNTING BOLTS (C). AND SECURE THE ARM WITH (4) 3/8 PUSHNUTS (H).
3. SLIDE THE BOLTS OF THE HOUSING AND ARM ASSEMBLY INTO THE (4) HOLES IN THE POLE.
4. SECURE EACH BOLT WITH FLATWASHER, LOCKWASHER, AND HEX NUT. MAKE SURE THAT THE ARM IS SQUARE ON THE POLE. TIGHTEN (4) BOLTS (C) AND NUTS (G) SECURELY.

# INSTALLATION INSTRUCTIONS

## WASHINGTON-I SMALL SEMI-SPHERICAL AREA LIGHT



**FIGURE 8**  
**WASHINGTON I**  
**LUMINAIRE INSTALLATION**

- 1. DISCONNECT POWER BEFORE INSTALLING OR SERVICING.**
- UNPACK THE FIXTURE AND CHECK THAT ALL PARTS WERE RECEIVED.
- TO OPEN DOOR LOOSEN (2) DOOR SCREWS AND SWING THE DOOR ASSEMBLY OUT.
- TO OPEN THE REFLECTOR ASSEMBLY, LOOSEN (1) OR (2) REFLECTOR MOUNTING SCREWS AND SWING REFLECTOR ASSEMBLY OUT OF HOUSING.
- MOUNT THE FIXTURE TO THE ARM, OR WALL BRACKET BY FOLLOWING THE INSTRUCTIONS PROVIDED ON PAGES 5 AND 7.
- FOR SPIDER MOUNT GO TO PAGE 7, STEP G TO MOUNT TO 2 INCH PIPE TENON POLE.
- INSTALL THE BALLAST ASSEMBLY INTO THE FIXTURE BY ALIGNING THE HOLE IN THE BALLAST PLATE WITH THE HOLE IN THE INTERNAL BALLAST MOUNTING BRACKET(T). SECURE PLATE WITH (3) #10-24 SCREWS (S) PROVIDED IN THE BRACKET AND BALLAST PLATE. CONNECT (2) CIRCUIT SOCKET LEADS AND (3) CIRCUIT POWER LEADS.
- WIRE SERVICE LEADS TO FIXTURE POWER LEADS ACCORDING TO LOCAL AND NATIONAL ELECTRICAL CODES.
- REPLACE REFLECTOR ASSEMBLY INTO HOUSING USING (1) OR (2) #10 MOUNTING SCREWS. TAKE CARE NOT TO PINCH WIRES.
- INSTALL LAMP (SEE STEP K).
- CLOSE DOOR /LENS ASSEMBLY AND SECURE WITH (2) DOOR CAPTIVE SCREWS.

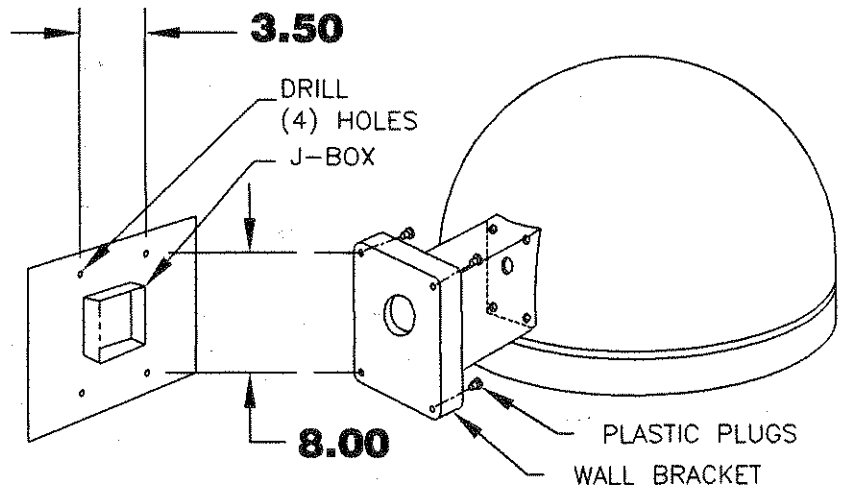
# INSTALLATION INSTRUCTIONS

## WASHINGTON SERIES

### WASHINGTON I & II

#### F. WALL MOUNT INSTALLATION (FIGURE 4)

- \* Mark hole locations on wall around junction box.
- \* Drill (4) holes for the appropriate mounting hardware for the particular type of wall.
- \* Insert supply wires from J-BOX into Wall bracket.
- \* Mount the cast wall bracket with fixture using proper hardware (by others).
- \* Engage (4) plastic hole plugs into the (4) corner holes of the wall bracket.
- \* Apply a continuous bead of caulking sealant around the top and (2) sides of the wall bracket and wall surface, to seal joint from water leakage.



**FIGURE 9**  
LUMINAIRE TO WALL

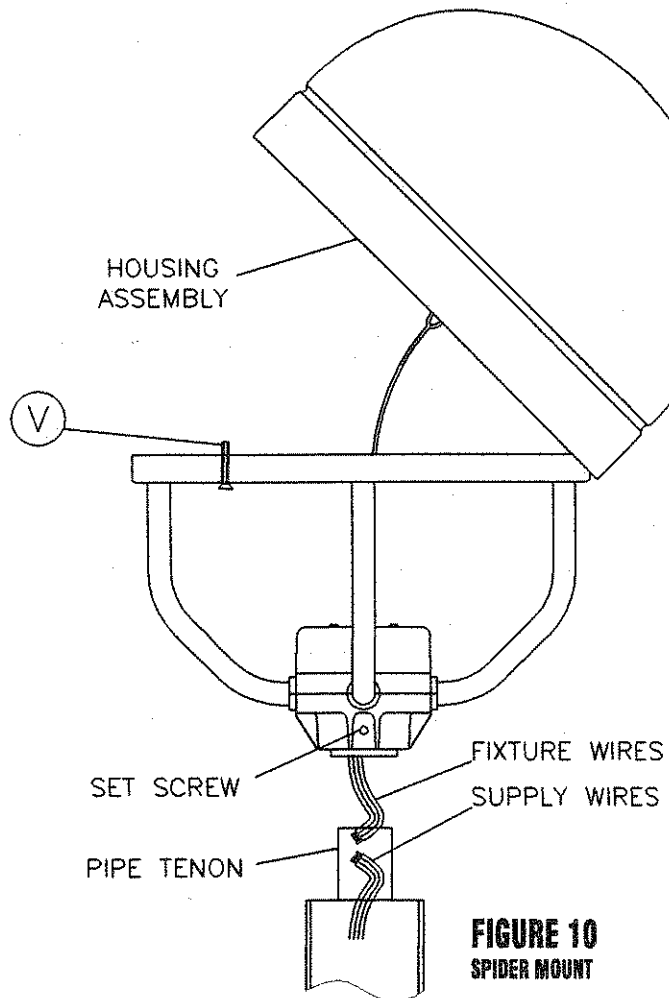
### WASHINGTON I, II & III

#### G. SPIDER MOUNT INSTALLATION

**IMPORTANT: BASE COVERS MUST BE ASSEMBLED ONTO POLE PRIOR TO ATTACHING FIXTURE TO POLE**

##### 2 INCH PIPE TENON SLIPFITTER:

- \* Connect Supply Wires from pole to the Fixture Power Leads according to local and NEC.
- \* Slide 2 inch Slipfitter over Pipe Tenon. Aim Fixture for Proper Lighting Application. Tighten Set Screws provided with Slipfitter.
- \* To Open Fixture loosen (2) Door Screws (V) and Lift up Housing Assembly.
- \* Install lamp (See Lamp Installation "K").
- \* Carefully close housing and secure to door/spider mount with (2) captive door screws (V).



**FIGURE 10**  
SPIDER MOUNT

# INSTALLATION INSTRUCTIONS

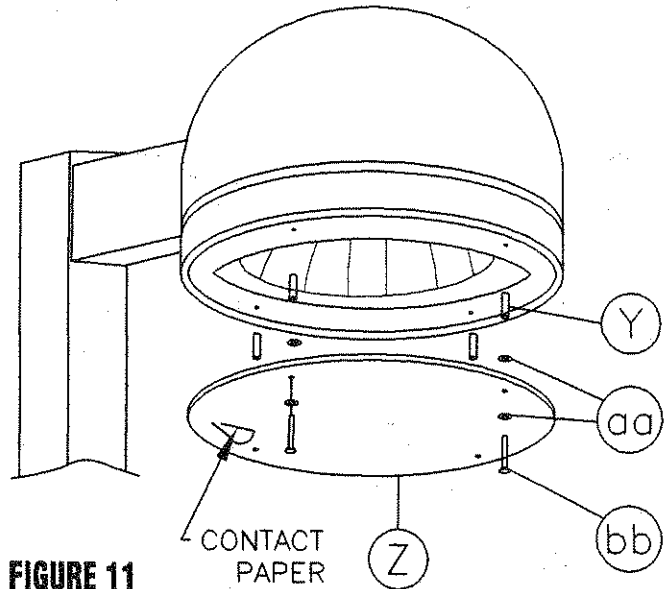
## WASHINGTON SERIES

### H. VANDAL SHIELD INSTALLATION (FIGURE 10)

The vandal shield kit contains the following:

- (4) Tubular spacers (Y)
- (8) Flat washers (aa)
- (4) Screws (bb)
- (1) Polycarbonate vandal shield (Z)

- \* Remove contact paper from vandal shield.
- \* Mount the vandal shield to the pre-drilled holes in door using spacers, washers and screws (provided).



**FIGURE 11**  
VANDAL SHIELD

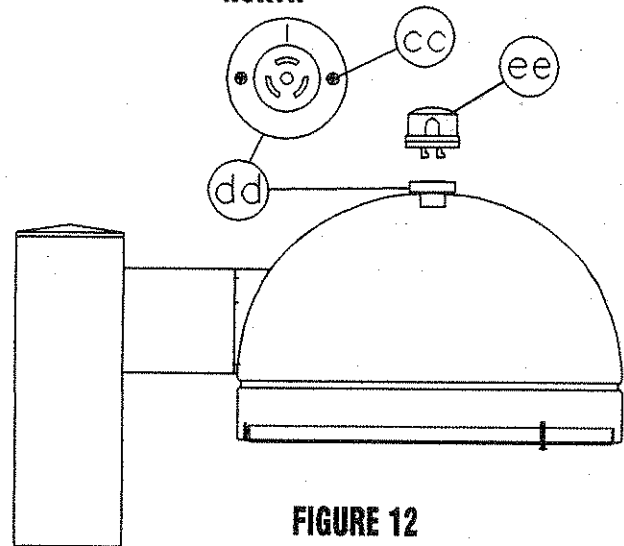
### J. PHOTOCONTROL SWITCH (FIGURE 11)

(WASHINGTON I & II ONLY)

- \* Loosen the (2) mounting screws (cc) on the female receptacle (dd).
- \* Rotate the receptacle (dd) so that the arrow on the receptacle faces north.
- \* Retighten the (2) screws (cc) on the female receptacle (dd) to secure it in position.
- \* Insert the photocontrol switch (ee) (by others) into the receptacle (dd) and secure it in position.

**NOTE: THE LIGHT WILL NOT OPERATE WITHOUT A PHOTOCONTROL SWITCH OR A SHORTING CAP IN PLACE. DO NOT LEAVE RECEPTACLE OPEN TO THE ELEMENTS.**

**NORTH**



**FIGURE 12**  
PHOTOCONTROL SWITCH

### K. LAMP INSTALLATION

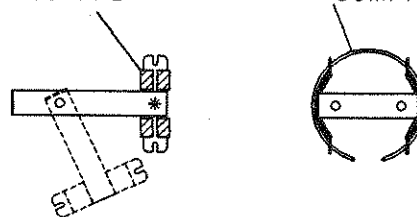
- \* Make sure the lamp size and type matches the ballast specifications. For 400mh std. & pulse start, a compact lamp must be used.
- \* Engage the lamp to the socket. To ensure lamp makes proper contact, loosen the lamp one turn then retighten.
- \* Clean lamp and lens before closing the door.

### L. LAMP SUPPORT (1000 W MODELS - FIGURE 12)

- \* Remove compression ring.
- \* Pivot lower lamp support to the side.
- \* Engage the lamp to the socket. To ensure lamp makes proper contact, loosen the lamp one turn then retighten.
- \* Reposition lamp support (Make sure fiberglass pads are in place).
- \* Replace compression ring onto lamp support slots.

FIBERGLASS PAD

COMPRESSION RING



**FIGURE 13**  
LAMP SUPPORT

QUALITY PRODUCT IMPROVEMENT IS A CONTINUOUS PROGRAM OF SPAULDING LIGHTING, INC.  
INFORMATION IN THIS BULLETIN IS SUBJECT TO CHANGE WITHOUT NOTICE.