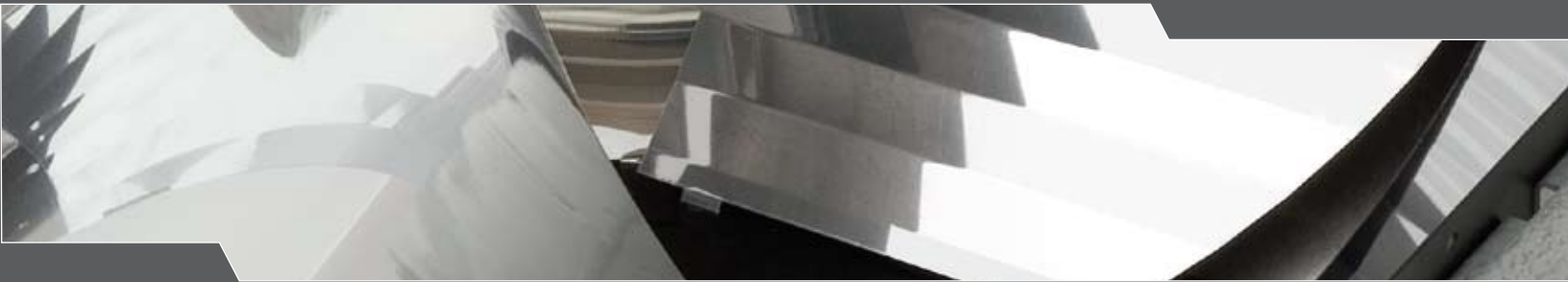
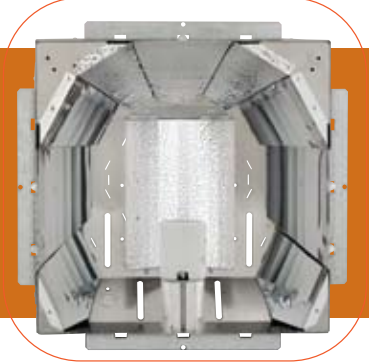
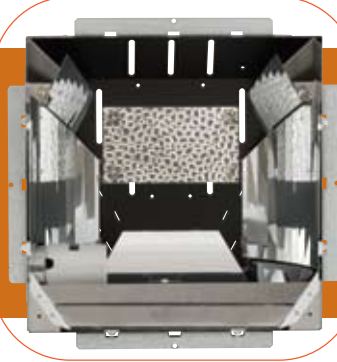
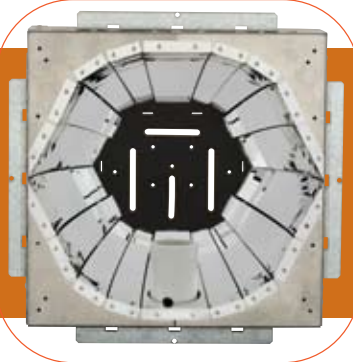


SPAULDING LIGHTING

High Performance
Area/Site Lighting



High Performance Reflectors



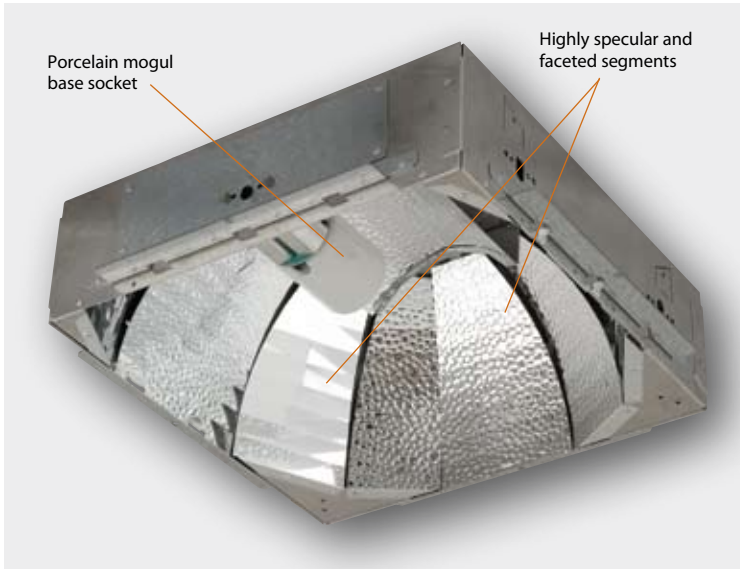
High Performance Reflectors

Reflector

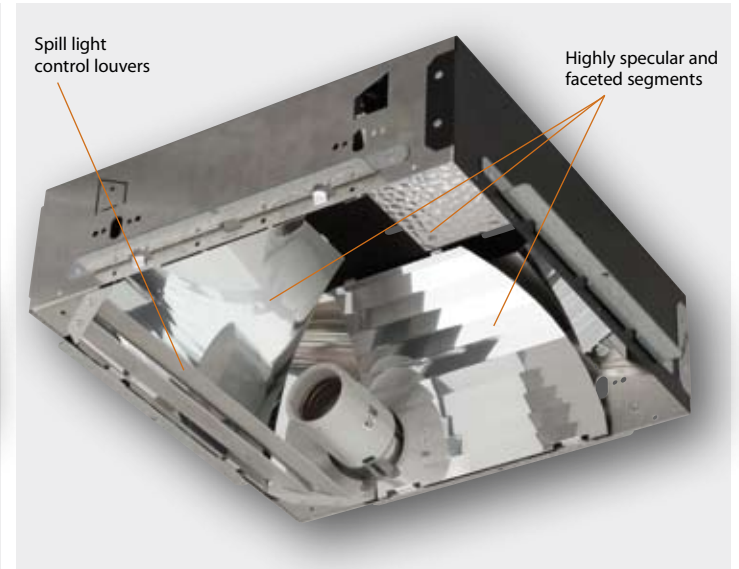
Performance without compromise! That is what Spaulding Lighting's High Performance Reflector System delivers. In today's world where protecting the night sky, light trespass and glare are important, Spaulding introduces a new line of high performance reflectors, available in IESNA type III, IV and V, for parking lot applications. Designed around a 400w ED28 mogul base lamp, these reflectors redistribute the light away from unwanted areas and place it where it can be better utilized. Uniformity is enhanced for greater visibility and adjacent property is respected. Spaulding High Performance Reflectors are an excellent choice when optical performance and value is required.



H3P TYPE III FULL CUTOFF



H4P TYPE IV FULL CUTOFF



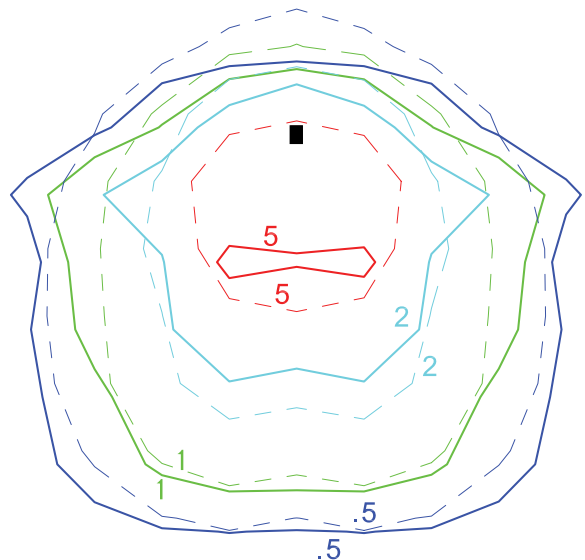
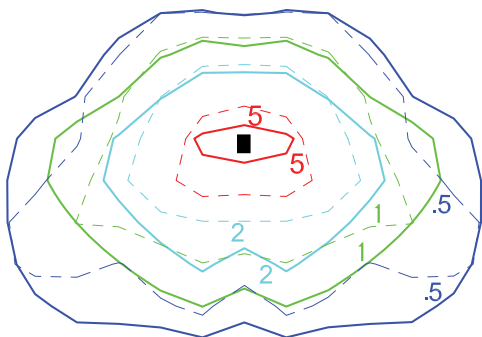
This precision-engineered and rotatable optic redirects light from directly underneath the fixture out toward the parking lot, where needed. This redistribution fills in the dead spots that until now were difficult to fill and more evenly illuminates the coverage area, providing greater visibility.

Spill light behind the pole is dramatically reduced, keeping unwanted light along adjacent property lines at a minimum. Just like the H3P, this precision engineered and rotatable optic redirects light from directly underneath the fixture out toward the parking lot, where needed, extending the coverage area.

Photometric Comparison

Hydroform vs. High Performance Reflectors

- Solid lines represent High Performance Reflector
- Dotted lines represent Hydroform reflector
- Fixture reference point

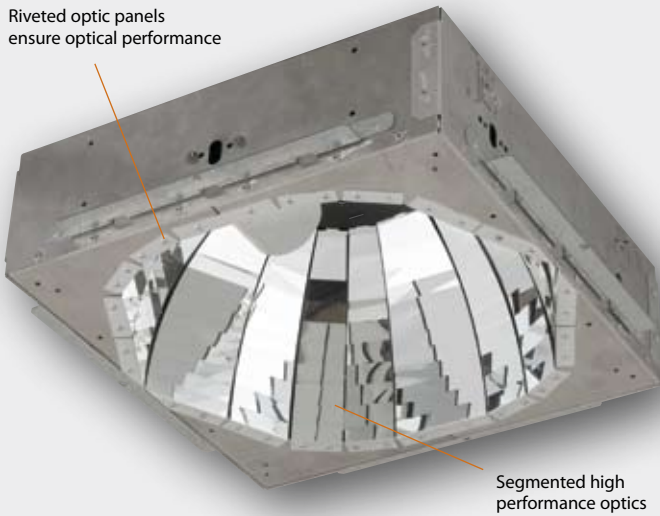


RUGGED ENCLOSURES

The durable, rotatable aluminum enclosures ensure repeatability of manufacture so you can be sure you're getting maximum performance 'out of the box', while protecting the multiple precision aimed reflector segments from becoming misaligned as a result of a sudden impact or bump during handling or shipment.

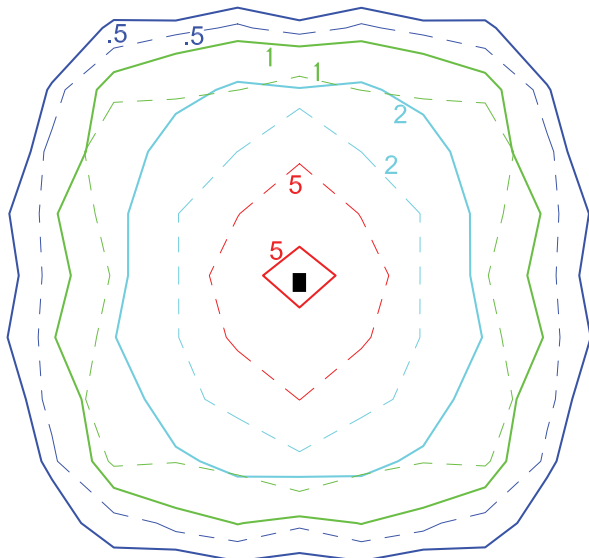
H5P TYPE V FULL CUTOFF

Riveted optic panels ensure optical performance



Segmented high performance optics

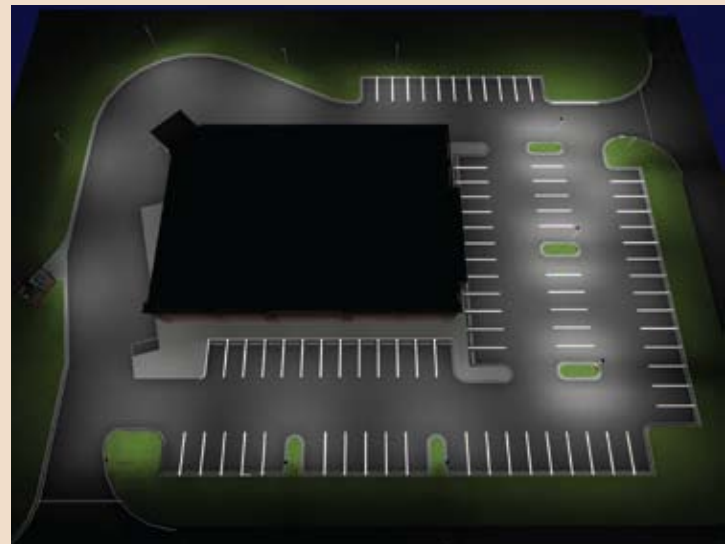
Using the same approach taken with H3P and H4P, the H5P removes a portion of light from directly under the fixture and evenly redistributes it symmetrically through out, extending the coverage area.



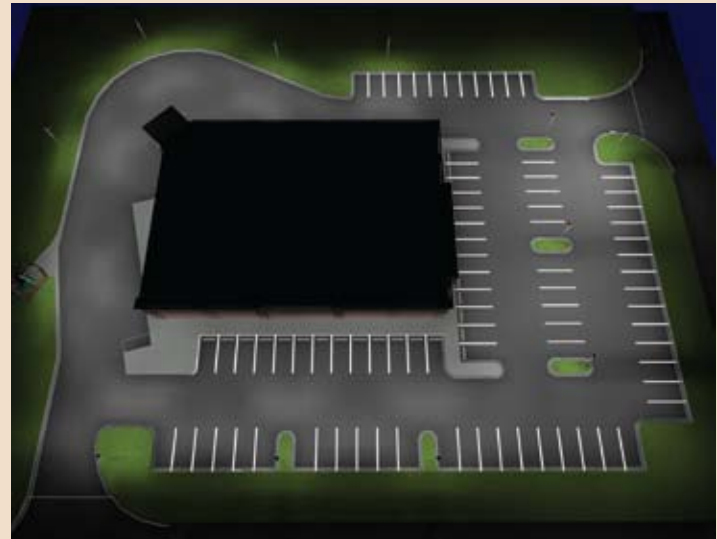
High Performance Reflectors Comparison

The illustrations below are computer simulations of a typical retail store parking lot comparing the 400W Cimarron with high performance optics against a leading competitor's equivalent product mounted at 25 feet. The Cimarron with high performance optics produces an average fc reading of 2.5 with a better than 4 to 1 uniformity, while the leading competitor's segmented optics produced the same average foot-candle reading, however with a 5 to 1 uniformity. Spaulding High Performance Optics deliver the right light exactly where it's needed!

Competitor 400w



CIMARRON 400w High Performance Reflectors



SPAULDING LIGHTING

701 Millennium Boulevard
Greenville, SC 29607

Tel: 864.678.1000

Fax: 864.678.1417

www.spaulding-ltg.com



Hubbell Lighting, Inc.

Hubbell Lighting Inc. Distinguished Lighting Brands

Alera Lighting	Kurt Versen
Architectural Area Lighting	Paragon Lighting
Beacon Products	Precision Lighting
Columbia Lighting	Prescolite
Compass Products	Progress Lighting
Devine Lighting	Security Lighting
Dual-Lite	Spaulding Lighting
HomeStyle Lighting	Sportsliter Solutions
Hubbell Building Automation	Sterner Lighting Systems
Hubbell Outdoor Lighting	Thomas Research Products
Hubbell Industrial Lighting	Thomasville Lighting
Kim Lighting	Whiteway