

ALAIRE SERIES

| | | |
|--------|------|-----------|
| Cat. # | | Approvals |
| Job | Type | |

SPAULDING LIGHTING

APPLICATIONS

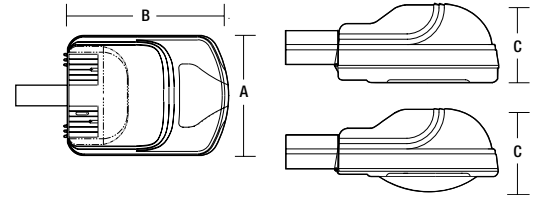
- Designed for maximum pole spacing in parking areas, shopping malls, auto dealerships, and office parks

SPECIFICATIONS

- Architectural, one-piece die-cast aluminum housing with nominal .125" wall thickness. Contour lines and radius corners complete unique design. Heat dissipating fins on top rear side maximize ballast life
- Die-cast aluminum door hinges to housing and secures with two, stainless steel captive screws. Clear, convex tempered glass lens and door seal to housing with one-piece extruded silicone gasketing. Optional flat glass door
- Specular, anodized aluminum, segmented reflectors for vertical lamp, provide Type III, IV, or V square light patterns. IESNA Full cutoff lighting classification achieved with flat lens. Type III and IV reflectors are field rotatable
- Die-cast aluminum arm features access door to facilitate installation. Wall mount available with cast aluminum bracket and arm
- Reduced-envelope lamp required for 1000W. Mogul porcelain socket, pulse rated, with spring-loaded, nickel-plated center contact and reinforced lamp grip screw shell
- CWA type ballast, HPF, starting rated at -20°F (-40°F for HPS). Ballast components mount to removable Powr-Pan[®]
- Durable Lektrocote[®] TGIC thermoset polyester powder coat paint finish assures long life and maintenance-free service

LISTINGS/CERTIFICATIONS

- Listed to UL1598 for use in wet locations
- IDA fixture seal of approval



| | A | B | C | EPA | Weight |
|----------------|--------|--------|--------|----------------------|---------|
| CONVEX | 22.75" | 30.56" | 15.87" | 2.4 ft. ² | 76 lbs |
| 10" arm | 578 mm | 776 mm | 403 mm | 0.2m ² | 34.4 kg |
| FLAT | 22.75" | 30.56" | 14.87" | 2.4 ft. ² | 76 lbs |
| 10" arm | 578 mm | 776 mm | 378 mm | 0.2m ² | 34.4 kg |

NOTE: EPA and weight values do not include mounting arm

ORDERING INFORMATION

ORDERING-EXAMPLE: AL-A-H1K-V5-C-Q-PS-F1

| | | | | | | | |
|---------------|--|---|--------------------|--|---|--|---|
| AL | A | | | | | | |
| SERIES | MOUNT | LAMP ORIENT./DISTR. | LENS | SOURCE/WATTAGE | VOLTAGE | OPTIONS | COLOR |
| AL Alaire | A Arm mount (arm not included, order separately) | V3 Vert. III - segmented V4 Vert. IV - multi-piece V5 Vert. V - segmented | F Flat C Convex | METAL HALIDE H1K 1000w (BT-37) PULSE START METAL HALIDE P40 400w (ED-37) P45 450w (ED-37) P75 750w (BT-37) P1K 1000w (BT-37) HIGH PRESSURE SODIUM S40 400w (ED-18) S75 750w (BT-37) S1K 1000w (ED-37) | Q ¹ Quad-Tap [®] 120/208/240/277V 5 480V T ¹ Tri-Tap [®] 120/277/347V | W(X) Wiring prep (replace X with voltage: 1-120, 2-208, 3-240, 4-277, 5-480, 6-347) F(X) Fusing (replace X with voltage: 1-120, 2-208, 3-240, 4-277, 5-480, 6-347) PR(X) Photo cell receptacle (replace X with voltage: 1-120, 2-208, 3-240, 4-277, 5-480, 6-347) QZ Quartz restrike with lamp HS ³ Internal house-side shield (V3, V4 reflectors) VG Polycarbonate vandal guard L Lamp | DB Dark Bronze BL Black WH White GR Gray PS Platinum Silver RD Red (premium color) FG Forest Green (premium color) CC Custom Color (consult factory) |

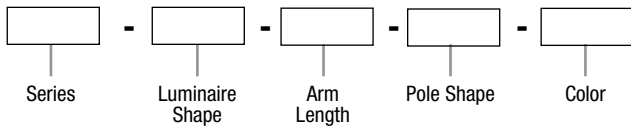
1 Factory wired for highest voltage unless specified
2 Required for 90° configurations
3 Flat lens configuration only

ARM LOGIC (order separately)

| | |
|------------------------|--|
| SERIES | ARM Rigid arm |
| LUMINAIRE SHAPE | A Alaire |
| ARM LENGTH | 5 5" Arm (EPA = 0.22 ft. ² , 4.0 lbs) (0.02 m ² , 1.8kg) 10 ² 10" Arm (EPA = 0.44 ft. ² , 6.5 lbs) (0.04 m ² , 2.9kg) |
| POLE SHAPE | #1 DRILL PATTERN S Square R4 Round straight (4.5") R5 Round straight (5") R6 Round straight (6") #2 DRILL PATTERN T2 Round tapered (2.5") T3 Round tapered (3") T35 Round tapered (3.5") T4 Round tapered & straight (4") |
| COLOR | DB Dark Bronze BL Black WH White GR Gray PS Platinum Silver RD Red (premium color) FG Forest Green (premium color) CC Custom Color (consult factory) |

ORDERING INFORMATION

ORDERING EXAMPLE ARM: ARM-A-5-S-DB



| SERIES | |
|------------------------|---|
| ARM | Rigid Arm |
| LUMINAIRE SHAPE | |
| A | Alaire |
| ARM LENGTH | |
| 5 | 5" Arm (EPA=0.22 ft ² , 4.0 lbs) (0.02 m ² , 1.8 kg) |
| 10 | 10" Arm ¹ (EPA=0.44 ft ² , 6.5 lbs) (0.04 m ² , 2.9 kg) |

| POLE SHAPE | |
|----------------------------------|-------------------------------|
| #1 DRILL PATTERN FOR POLE | |
| S | Square |
| R4 | Round Straight (4.5") |
| R5 | Round Straight (5") |
| R6 | Round Straight (6") |
| #2 DRILL PATTERN FOR POLE | |
| T2 | Round Tapered (2.5") |
| T3 | Round Tapered (3") |
| T35 | Round Tapered (3.5") |
| T4 | Round Tapered & Straight (4") |

| COLOR | |
|--------------|--------------------------------|
| DB | Dark Bronze |
| BL | Black |
| WH | White |
| GR | Gray |
| PS | Platinum Silver |
| RD | Red (premium color) |
| FG | Forest Green (premium color) |
| CC | Custom Color (consult factory) |

¹ Required for 90° configurations

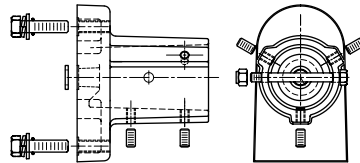
| WALL BRACKET | |
|---------------------|---|
| WB-A-XX | Bracket and 5" arm included Replace XX with color designation |

| MAST ARM FITTER | |
|------------------------|--|
| MAF-CM-XX | Bracket for 2 ³ / ₈ " OD horizontal mast arm |

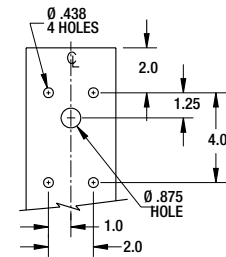
| ACCESSORIES | |
|--------------------|--|
| CLB-2-XX | Twin parallel luminaire bracket |
| 8914545 | Internal house side shield, Type III |
| 8914544 | Internal house side shield, Type IV |
| 773560 | Polycarbonate vandal shield |
| PTL-1 | (Must use PCR (X) option) Photocontrol - Twistlock cell (120V) |
| PTL-8 | (Must use PCR (X) option) Photocontrol - Twistlock cell (120, 208, 240, 277V) |
| PTL-5 | (Must use PCR (X) option) Photocontrol - Twistlock cell (480V) |
| PTL-6 | (Must use PCR (X) option) Photocontrol - Twistlock cell (347V) |
| PSC | (Must use PCR (X) option) Shorting Cap - Twistlock |

| POLE ADAPTERS | |
|-------------------------|---|
| 2-RA-TPL-D120-XX | Round steel adapt triple @ 120 deg. |
| 2-RA-QD-D-XX | Round steel adapt quad @ 90 deg. |
| CRD-RPA4-XX | Round pole adapter for straight arm (4.5" dia round pole) |
| CRD-RPA5-XX | Round pole adapter for straight arm (5" dia round pole) |
| CRD-RPA5-XX | Round pole adapter for straight arm (6" dia round pole) |

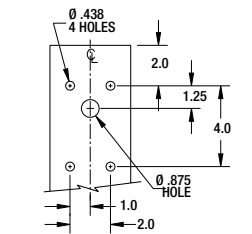
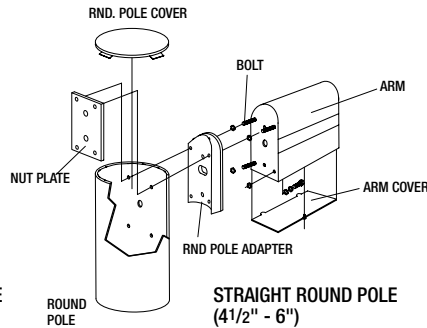
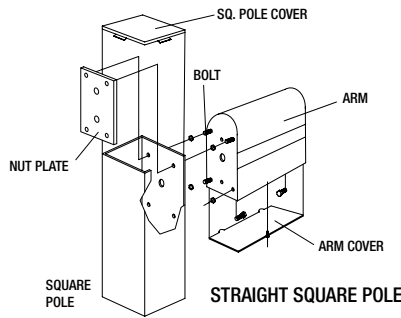
ACCESSORIES CONT. NEXT PAGE



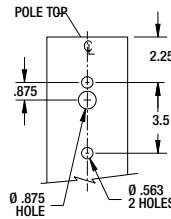
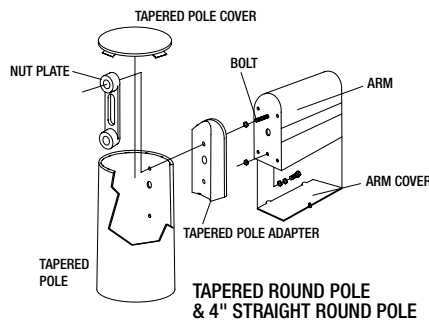
STANDARD ARM DETAIL



#1 DRILL PATTERN FOR POLES



#1 DRILL PATTERN FOR POLES



#2 DRILL PATTERN FOR POLES

Due to our continued efforts to improve our products, product specifications are subject to change without notice.



Spaulding Lighting • 701 Millennium Drive • Greenville, SC 29607 • PHONE: 864-678-1000
For more information visit our web site: www.spauldinglighting.com

ACCESSORIES

POLE ADAPTERS

| | |
|------------------------|---|
| CRD-RTPA2-XX | Round pole adapter for straight arm (2-3/8" to 2-5/8" round tapered dia. pole) |
| CRD-RTPA3-XX | Round pole adapter for straight arm (2-3/4" to 3-1/8" round tapered dia. pole) |
| CRD-RTPA3.5-XX | Round pole adapter for straight arm (3-1/4" to 3-3/4" round tapered dia. pole) |
| CRD-RTPA4-XX | Round pole adapter for straight arm (3-7/8" to 4" round tapered dia. pole) |
| FEA-2-XX | Triangle steel adapt double @ 120 deg. |
| FEA-3-XX | Triangle steel adapt triple @ 120 deg. |
| 2-SA-SGL-D-XX | Square steel adapt single |
| 2-SA-D90-XX | Square steel adapt-double @ 90 deg. |
| 2-SA-D180-XX | Square steel adapt-double @ 180 deg. |
| 2-SA-TPL-D90-XX | Square steel adapt-triple @ 90 deg. |
| 2-SA-QD-D-XX | Square steel adapt-quad @ 90 deg. |
| 2-RA-SGL-D-XX | Round steel adapt-single |
| 2-RA-D90-XX | Round steel adapt-double @ 90 deg. |
| 2-RA-D180-XX | Round steel adapt-double @ 180 deg. |
| 2-RA-TPL-D90-XX | Round steel adapt-triple @ 90 deg. |

Due to our continued efforts to improve our products, product specifications are subject to change without notice.



Spaulding Lighting • 701 Millennium Drive • Greenville, SC 29607 • PHONE: 864-678-1000
For more information visit our web site: www.spauldinglighting.com