

CIMARRON SERIES

Cat. #		Approvals
Job	Type	

APPLICATIONS

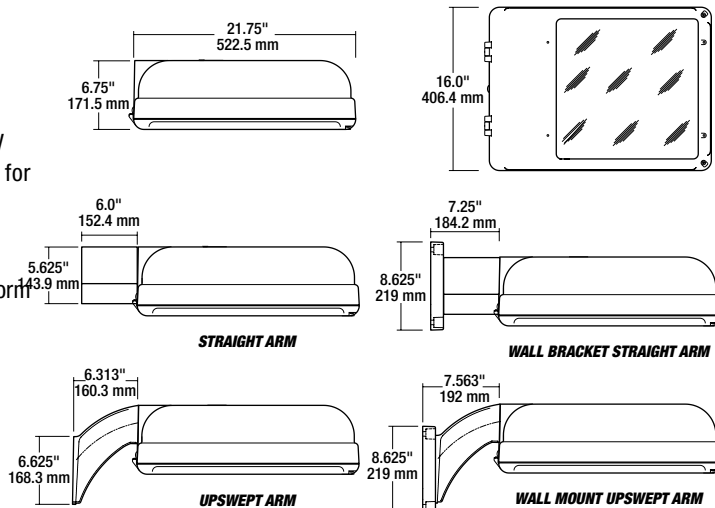
- Area and site lighting.

FEATURES

- Complements 'Southwest Series'
- IES Type II, III, V (square) and forward throw light distributions
- Flat lens design
- Electronic ballast for 150w, 250w, 350w and 400w PSMH with 0-10V dimming capability (control system by others). Ballast programmed for automatic dimming also available (consult factory).
- 100w to 400w lamps in HPS, and Pulse Start MH for design flexibility
- All distributions are field-rotatable
- Mounts on upswept, straight arms for poles or on wall bracket for a uniform project look
- 5 standard, 2 premium, and custom colors are available

LISTINGS/CERTIFICATIONS

- Title 20 compliant
- UL 1598 listed and CSA certified for outdoor use in wet locations
- U.S. Patent No. D556,935
- IDA fixture seal of approval **EPA = 1.2 ft²** (single unit with arm)



ORDERING INFORMATION

ORDERING EXAMPLE: CR1-A-P40-H3P-F-Q-DB-L

CR1	-	-	-	-	F	-	-	-
SERIES	SOURCE/WATTAGE	LAMP ORIENT./DISTR.	LENS	COLOR	OPTIONS			
CR1 Cimarron	ELECTRONIC PULSE START METAL HALIDE E15 150w (ED-28 Mog base) E25 250w (ED-28 Mog base) E35 350w (ED-28 Mog base) E40 400w (ED-28 Mog base)	H2 Horiz. II - hydroformed H3 Horiz. III - hydroformed H3P Horiz. III - High Performance Series (segmented) H4 Horiz. IV - multi-piece H4P Horiz. IV - High Performance Series (segmented) H5 Horiz. V (square) - hydroformed H5P Horiz. V - High Performance Series (segmented)	F Flat	DB Dark Bronze BL Black WH White GR Gray PS Platinum Silver RD Red (premium color) FG Forest Green (premium color) CC Custom Color (consult factory)	WBAD Substitutes decorative upswept arm when WB wall bracket mounting is chosen RPA2 Round pole adapter (2 3/4-3 1/8") RPA3 Round pole adapter (3 1/4-3 3/4") RPA4 Round pole adapter (3 7/8-4 1/2") RPA5 Round pole adapter (5") RPA6 Round pole adapter (6") F(X) Fusing (replace X with voltage: 1-120, 2-208, 3-240, 4-277, 5-480, 6-347) P(X) Photo button (replace X with voltage: 1-120, 2-208, 3-240, 4-277, 6-347) PR(X) Photo cell receptacle (replace X with voltage: 1-120, 2-208, 3-240, 4-277, 5-480, 6-347) QZ Quartz RS with lamp HS Internal house side shield (available for H2, H3 & H4 distributions) VG Polycarbonate vandal guard L Lamp			
MOUNTING	VOLTAGE							
A Arm mount construction (6" straight rigid arm included & acceptable for 90° configurations)	Q ¹ Quad-Tap [®] 120/208/240/277V							
AD Decorative arm mount const. (6" decorative upswept arm incl. & acceptable for 90° configurations)	V ¹ Five-Tap 120/208/240/277/480V (250 & 400w PSMH & HPS only)							
WB Wall bracket const. (includes wall bracket & 6" straight arm unless WBAD option is chosen which substitutes decorative upswept arm)	5 480V							
O No arm or wall bracket (only order without arm or wall bracket when they are ordered as an accessory)	T ¹ Tri-Tap [®] 120/277/347V							
	E 50Hz, 220/240V (250 & 400w PSMH & HPS only)							
	O No Ballast							

¹ Factory wired for highest voltage unless specified
Note: Mounting A and AD acceptable for 90 degree configurations

NOTE: All poles to be drilled with #2 pattern

SELECT UNITS ARE STOCKED FOR IMMEDIATE SHIPMENT.

EASY ORDER FIXTURE AND POLE COMBINATIONS

Catalog Number	Description
CRPC-1-P25-H3-20	20ft 250w PMH, Type III
CRPC-1-P40-H3-20	20ft 400w PMH, Type III
CRPC-1-P40-H3-25	25ft 400w PMH, Type III
CRPC-1-P40-H4-20	20ft 400w PMH, Type IV
CRPC-1-P40-H4-25	25ft 400w PMH, Type IV
Twin Configurations	
CRPC-2-P25-H3-20	20ft 250w PMH, Type III
CRPC-2-P40-H3-20	20ft 400w PMH, Type III
CRPC-2-P40-H3-25	25ft 400w PMH, Type III
CRPC-2-P40-H4-20	20ft 400w PMH, Type IV
CRPC-2-P40-H4-25	25ft 400w PMH, Type IV

All Combos include lamp, anchor bolts, poles and fixtures, color is Dark Bronze

ACCESSORIES

CIMARRON ACCESSORIES

CATALOG #	DESCRIPTION
ARM-CR-6-S-XX ^{1,2}	6" Rigid Straight Arm
ARM-CRD-6-S-XX ^{1,2}	6½" Rigid Upswept Arm
ARM-CR-K-TA-XX'	Tenon Arm (single) adjustable
ARM-CR-TK-TA-XX'	Tenon Arm (double 180°) adjustable
ARM-CR-K-S-XX ^{1,2}	Adjustable Arm
CR1-PVG	Polycarbonate Vandal Guard
CR1-HS-23	Internal House Side Shield (H2 & H3 distributions)
CR1-HS-4	Internal House Side Shield (H4 distribution)
CR-RPA2-XX'	Round Pole Adapter for Straight Arm (2¾ - 3⅛")
CR-RPA3-XX'	Round Pole Adapter for Straight Arm (3¼ - 3¾")
CR-RPA4-XX'	Round Pole Adapter for Straight Arm (3⅞ - 4½")
CR-RPA5-XX'	Round Pole Adapter for Straight Arm (5")
CR-RPA6-XX'	Round Pole Adapter for Straight Arm (6")
CRD-RPA2-XX'	Round Pole Adapter for Upswept Arm (2¾ - 3⅛")
CRD-RPA3-XX'	Round Pole Adapter for Upswept Arm (3¼ - 3¾")
CRD-RPA4-XX'	Round Pole Adapter for Upswept Arm (3⅞ - 4½")
CRD-RPA5-XX'	Round Pole Adapter for Upswept Arm (5")
CRD-RPA6-XX'	Round Pole Adapter for Upswept Arm (6")
WB-CR-XX'	Wall Bracket
TPLB-XX'	Twin Parallel Luminaire Bracket
CR1-EHS-XX'	External 3 Sided Glare Shield (not rotatable)

- 1 Replace **XX** with color choice, eg.: **DB** for Dark Bronze
 2 When ordering poles, specify Pole Drill Pattern #2

TENON TOP POLE BRACKET ACCESSORIES (2⅜" OD tenon) (RSS version requires 4" round pole adapter)

CATALOG #	DESCRIPTION
SETA-XX'	Square Pole Tenon Adapter (4 at 90 degrees)
RETA-XX'	Round Pole Tenon Adapter (4 at 90 degrees)
TETA-XX'	Hexagonal Pole Tenon Adapter (3 at 120 degrees)

- 1 Replace **XX** with color choice, eg.: **DB** for Dark Bronze

PHOTOCONTROL EQUIPMENT

CATALOG #	DESCRIPTION
PTL-1	Photocontrol - Twist-Lock Cell (120V)
PTL-8	Photocontrol - Twist-Lock Cell (120-277V)
PTL-5	Photocontrol - Twist-Lock Cell (480V)
PTL-6	Photocontrol - Twist-Lock Cell (347V)
PSC	Shorting Cap - Twist-Lock

SPECIFICATIONS

HOUSING Architecturally styled, one piece die-cast aluminum housing with nominal .125" wall thickness. Low profile design reduces the overall wind loading while providing a sleek, unabtrusive look which complements most building architectural styles.

DOOR Die-cast aluminum door hinges to housing and secures with two captive screws providing four points on contact ensuring a clean lens and optical assembly. Both the flat tempered glass and door are sealed with one-piece silicone gaskets.

OPTICS Multiple levels of photometric performance to be achieved via tiered optic offering ranging from fully segmented to hydroformed reflectors. All optical assemblies to field rotate in 90° increments. All distributions to be IES full cutoff classification. House side shielding available as either factory installed options or field installed accessories.

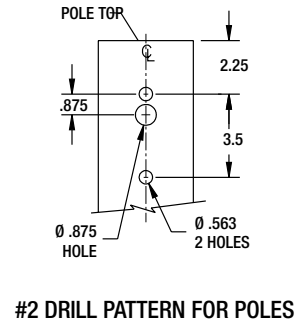
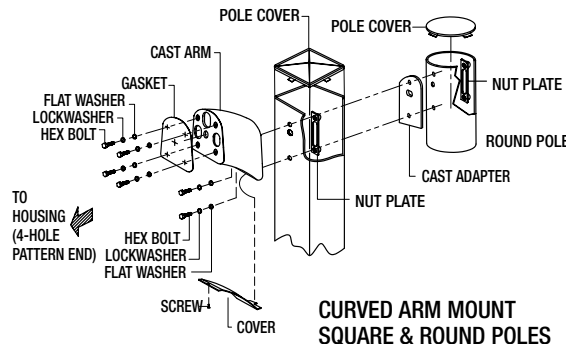
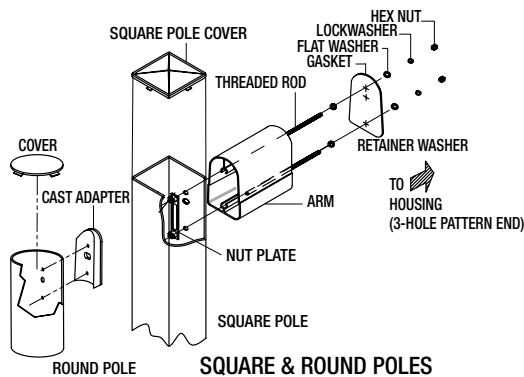
MOUNT Two arm designs are available providing maximum design flexibility. The die-cast aluminum arm offers a sleek upswept look while the extruded straight arm includes the housings contoured lines for continuity of style. A wall bracket and pole/tenon accessories are also available allowing easy mounting for virtually any application.

ELECTRICAL Energy efficient HID lamps up to 400w. Pulse rated porcelain sockets have spring loaded, nickel plated center contact. All units offer factory or field-installable photocell options and fusing.

BALLAST HPF ballast circuit, starting rated at -20 deg F (-40 deg F for HPS). Ballast and other electrical components mounted directly to housing for excellent heat dissipation and long life.

FINISH TGIC thermoset polyester powder paint finish applied at nominal 2.5 mil thickness. Prior to painting all luminaires and mounting accessories should be thoroughly cleaned with acid and alkaline cleaners followed by the application of a chromate conversion coating.

LISTING UL 1598 listed and CSA certified for outdoor wet location applications.



Due to our continued efforts to improve our products, product specifications are subject to change without notice.



Spaulding Lighting • 701 Millennium Drive • Greenville, SC 29607 • PHONE: 864-678-1000
 For more information visit our web site: www.spauldinglighting.com