

# CIMARRON LED

**NEW**

Cat.#		Approvals
Job	Type	

**SPAULDING  
LIGHTING**



### CONSTRUCTION

- Stylish vertically finned die-cast solid top housing for maximum heat dissipation; Stops collection of unsightly debris from gathering on top of the housing
- Rugged lower die-cast aluminum heat sink accelerates thermal management and optimizes PCB and optical performance
- Separate optical and electrical compartment for optimum component operation
- One piece die cut silicone gasket ensures weather proof seal around each individual LED for IP65 rating
- Stamped bezel provides mechanical compression to seal the optical assembly
- Complements the Hubbell SouthWest Series of outdoor fixtures
- Weight - 45.0 pounds
- EPA - 1.3 ft<sup>2</sup>
- Features exclusive wiHUBB technology
  - Wireless system for On/Off and 0-10VDC full range dimming control
  - Programmable autonomous operation

### OPTICS

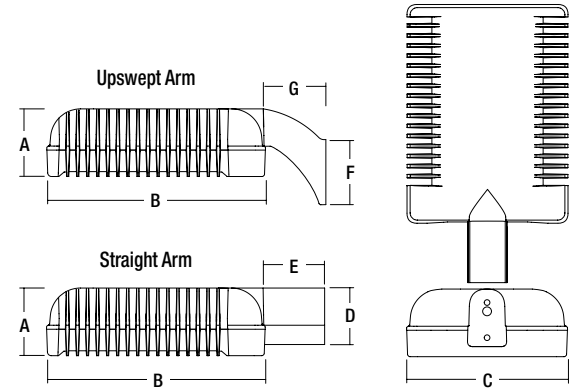
- Choice of 32 high brightness LED configurations with individual acrylic lenses specially designed for IES Type II, III, IV and V distributions
- CCT: 5000K standard, 4000K option
- CRI: 70

### ELECTRICAL

- Universal input voltage 120-277 VAC, 50/60 Hz
- Integral step-down transformer for 347V and 480V
- Ambient operating temperature -30° C to 40° C
- Drivers have greater than 90% power factor and less than 10% THD
- Optional continuous dimming to 10% or dual circuitry available
- LED drivers have output power over-voltage, over-current protection and short circuit protection with auto recovery
- 1050 mA driver available with 90L configuration for increased lumen output
- LED electrical assembly, including PR devices, consumes no power in the 'off' state
- Surge protection of 10KA 8/20 µSec wave; clamping voltage of 320V & surge rating of 273J
- Automatic thermal self-protection
- Long life - 60,000 hours (L90 at 40°C)

### MOUNTING

- Two die-cast aluminum arm designs are available providing maximum design flexibility
- The decorative arm offers a sleek upswept look while the straight arm follows the housing's contoured lines for continuity of style
- Fixture ships with arm installed for ease of installation and mounts to #2 drill pattern
- Wall bracket, mast arm fitter and pole accessories are also available allowing easy mounting for virtually any application



A	B	C	D	E	F	G	EPA	Weight
6 3/4" 171mm	21 3/4" 552mm	16" 406mm	6 5/8" 168mm	6 5/16" 160mm	5 5/8" 143mm	6 1/8" 155mm	1.3 ft <sup>2</sup> .12m <sup>2</sup>	45 lbs. 20.4 kg

### FINISH

- TGIC thermoset polyester powder paint finish applied at nominal 2.5 mil thickness

### WARRANTY

- 5 year limited warranty

### LISTINGS

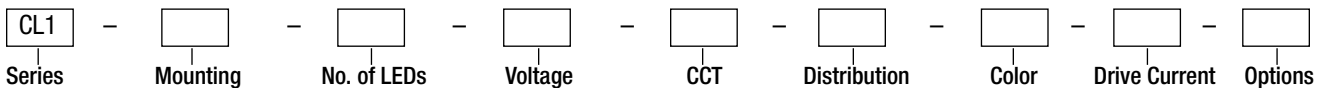
- Listed to UL1598 and CSA C22.2#250.0-24 for wet locations
- IP65
- DLC listed
- IDA approved



IP65

## ORDERING INFORMATION

ORDERING EXAMPLE: CL1-A-90L-U-5K-3-DB-RPA3



### SERIES

**CL1** Cimarron LED

### MOUNTING

- A** Arm mount construction (6" straight rigid arm included & acceptable for 90° configurations)
- AD** Decorative arm mount const. (6" decorative upswept arm incl. & acceptable for 90° configurations)
- MAF** Mast Arm Fitter for mounting to standard 2 3/8" mast arm bracket, includes 6" straight rigid arm

### NO. OF LEDs

- 90L** 90 High brightness LEDs
- 60L** 60 High brightness LEDs
- 30L** 30 High brightness LEDs

### VOLTAGE

- U<sup>3</sup>** Universal 120V-277V, 50/60 Hz
- 5** 480V, 60 Hz
- F** 347V, 60 Hz
- E<sup>4</sup>** 220V, 50 Hz

### CCT

- 4K** 4000K
- 5K** 5000K

### DISTRIBUTION

- 2** Type II
- 3** Type III
- 4** Type IV
- 5** Type V

### COLOR

- DB** Dark Bronze
- BL** Black
- WH** White
- GR** Gray
- PS** Platinum Silver
- RD** Red
- FG** Forest Green
- CC** Custom Color

### DRIVE CURRENT

**105** 1050 mA (use with 90L only for higher lumen output)

### OPTIONS

- BL<sup>1,2,5</sup>** Bi-level dimming
- CD<sup>2</sup>** Continuous dimming
- WB** Wall bracket
- RPA3** 3" Round pole adapter
- RPA4** 4" Round pole adapter
- RPA5** 5" Round pole adapter
- RPA6** 6" Round pole adapter
- F(X)<sup>3,4</sup>** Fusing (replace X with voltage 1-120V, 2-208V, 3-240V, 4-277V, 5-480V, 6-347V)
- PR(X)<sup>5</sup>** NEMA Photocell receptacle - (replace X with voltage U-120-277V, 5-480V, 6-347V)
- WIH** In fixture wireless control module (120V, 277V, 347V or 480V only) (contact factory)
- VG** Vandal guard

Notes: 1- For 90L and 60L; N/A 347V & 480V • 2- BL & CD cannot be combined • 3- Fuse option not available with universal voltage • 4- Select F3 fusing option for 220V • 5- Photocell Receptacle not available with BL option

## ACCESSORIES

CATALOG #	DESCRIPTION
<b>CR-RPA3-XX<sup>1</sup></b>	Round pole adapter for straight arm (3¼ - 3¾")
<b>CR-RPA4-XX<sup>1</sup></b>	Round pole adapter for straight arm (3⅝ - 4½")
<b>CR-RPA5-XX<sup>1</sup></b>	Round pole adapter for straight arm (5")
<b>CR-RPA6-XX<sup>1</sup></b>	Round pole adapter for straight arm (6")
<b>CRD-RPA2-XX<sup>1</sup></b>	Round pole adapter for upswept arm (2¾ - 3⅝")
<b>CRD-RPA3-XX<sup>1</sup></b>	Round pole adapter for upswept arm (3¼ - 3¾")
<b>CRD-RPA4-XX<sup>1</sup></b>	Round pole adapter for upswept arm (3⅞ - 4½")
<b>CRD-RPA5-XX<sup>1</sup></b>	Round pole adapter for upswept arm (5")
<b>CRD-RPA6-XX<sup>1</sup></b>	Round pole adapter for upswept arm (6")
<b>WB-CR-XX<sup>1</sup></b>	Wall bracket
<b>TPLB-XX<sup>1</sup></b>	Twin parallel luminaire bracket
<b>MAF-CL-XX<sup>2</sup></b>	Horizontal mast arm fitter for 2 3/8" OD arm. Mounts to standard 6" arm (ordered with fixture)

1 Replace XX with color choice, eg.: DB for Dark Bronze

2 When ordering poles, specify Pole Drill Pattern #2

3 Fixture must include standard 6" arm

## TENON TOP POLE BRACKET ACCESSORIES (2 3/8" OD tenon) (RSS version requires 4" round pole adapter)

CATALOG #	DESCRIPTION
<b>SETA-XX<sup>1</sup></b>	Square pole tenon adapter (4 at 90 degrees)
<b>RETA-XX<sup>1</sup></b>	Round pole tenon adapter (4 at 90 degrees)
<b>TETA-XX<sup>1</sup></b>	Hexagonal pole tenon adapter (3 at 120 degrees)

1 Replace XX with color choice, eg.: DB for Dark Bronze

## PHOTOCONTROL EQUIPMENT

CATALOG #	DESCRIPTION
<b>PTL-1</b>	Photocontrol - twist-lock cell (120V)
<b>PTL-8</b>	Photocontrol - twist-lock cell (120-277V)
<b>PTL-5</b>	Photocontrol - twist-lock cell (480V)
<b>PTL-6</b>	Photocontrol - twist-lock cell (347V)
<b>PSC</b>	Shorting cap - twist-lock

## ENERGY SAVING DATA

ENERGY DATA	
Power Factor	>.9
Total Harmonic Distortion	<10%

LIGHT ENGINE	INPUT WATTS		LUMENS DELIVERED			
	120V-277V	347V-480V	TYPE II	TYPE III	TYPE IV	TYPE V
30L-5K	70	87	4,998	5,264	4,933	5,208
60L-5K	140	157	9,865	9,937	9,714	10,417
90L-5K	210	227	14,336	14,708	14,166	15,625
90L-5K-105	310	335	19,711	20,599	19,169	22,354
30L-4K	70	87	4,562	4,603	4,488	5,058
60L-4K	140	157	8,842	9,037	8,723	9,363
90L-4K	210	227	12,991	13,289	12,611	13,715
90L-4K-105	310	335	16,740	17,367	16,364	18,988

Note: Lumen values based on 5000K CCT, 700 mA and 1050 mA, 25 Deg C ambient temperature.

**lighting facts**  
A Program of the U.S. DOE

Light Output (Lumens) **15056**

Watts **208.8**

Lumens per Watt (Efficacy) **72**

Color Accuracy **76**  
Color Rendering Index (CRI)

Light Color **5433 (Daylight)**  
Correlated Color Temperature (CCT)

2700K 3000K 4500K 6500K

All results are according to: IESNA LM-79-2008: Approved Method for the Electrical and Photometric Testing of Solid-State Lighting. The U.S. Department of Energy (DOE) verified product test data and results.

Visit [www.lightingfacts.com](http://www.lightingfacts.com) for the Label Reference Guide.

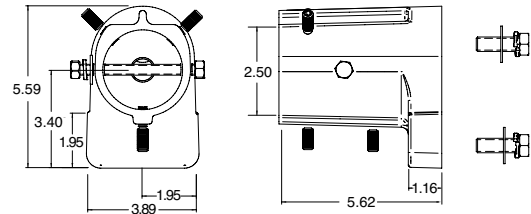
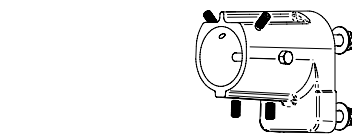
Registration Number: A23K18VWHS2 (11/21/2011)  
Model Number: CL 1-AD-95-1-5K-3  
Type: Outdoor area/landscape fixture

Due to our continued efforts to improve our products, product specifications are subject to change without notice.

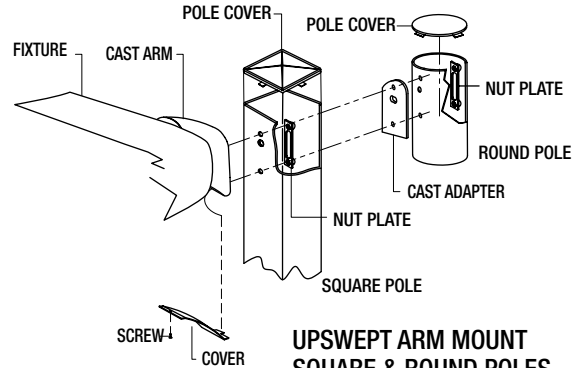
**SPAULDING**  
LIGHTING

Spaulding Lighting • 701 Millennium Boulevard • Greenville, SC 29607 • PHONE: 864-678-1000

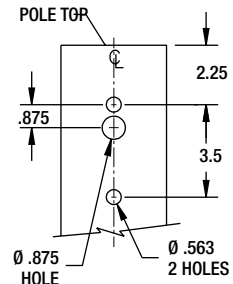
For more information visit our web site: [www.spauldinglighting.com](http://www.spauldinglighting.com)



MAF – HORIZONTAL MAST ARM FITTER



UPSWEPT ARM MOUNT  
SQUARE & ROUND POLES



#2 DRILL PATTERN FOR POLES