

# DALLAS SERIES

|        |      |           |
|--------|------|-----------|
| Cat. # |      | Approvals |
| Job    | Type |           |

**SPAULDING  
LIGHTING**

## APPLICATIONS

- Superior lighting uniformity is provided for school campuses, financial institutions, walkways, office parks, and auto dealerships.

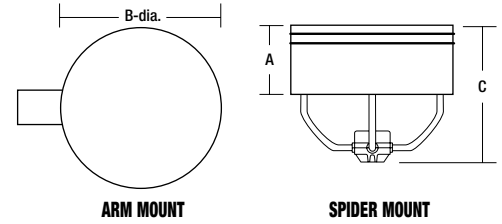
## SPECIFICATIONS

- Round spun aluminum housing featuring an embossed decorative band; Optional color vinyl trim stripe available
- Cast aluminum door with clear, flat tempered glass lens, fully gasketed to housing, secured with captive screws; Housing with spider mount hinges up, and door with arm mount hinges down for service
- Specular, anodized aluminum reflectors for horizontal lamp, provide Type II, III, IV or V square light patterns. DL1 and DL2, Type II and Type III reflectors feature unique, micro-faceted design
- IDA fixture seal of approval with flat lens

- Extruded aluminum arm required for pole mount; Spider mount has four aluminum tube arms attaching housing to cast slipfitter for 2.375" OD tenon
- Mogul porcelain socket, pulse-rated, with spring-loaded, nickel-plated center contact and reinforced lamp grip screw shell; Medium base for ED-17 lamp
- 100w - 150w lag type HPF ballast, starting rated at -20°F (-40°F for HPS)
- 200w - 400w CWA type ballast, HPF, starting rated at -20°F (-40°F for HPS)
- Durable Lektrocote® TGIC thermoset polyester powder coat paint finish assures long life and maintenance-free service

## LISTINGS/CERTIFICATIONS

- UL 1598 listed for outdoor use in wet locations

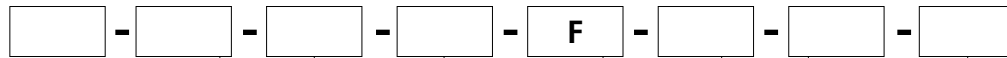


|                | A                | B               | C                | EPA  | Weight            |
|----------------|------------------|-----------------|------------------|--|-------------------|
| <b>DL1</b>     | 8.5"<br>216 mm   | 18.0"<br>457 mm | 20.5"<br>521 mm  | 0.7 ft. <sup>2</sup><br>0.1 m <sup>2</sup> | 35 lbs<br>15.9 kg |
| <b>DL2</b>     | 9.5"<br>241 mm   | 22.5"<br>572 mm | 22.75"<br>578 mm | 1.0 ft. <sup>2</sup><br>0.1 m <sup>2</sup> | 55 lbs<br>24.9 kg |
| <b>DL3</b>     | 10.75"<br>273 mm | 26.0"<br>660 mm | 23.0"<br>584 mm  | 1.3 ft. <sup>2</sup><br>0.1 m <sup>2</sup> | 77 lbs<br>34.9 kg |
| <b>DL3-LPS</b> | 10.75"<br>273 mm | 26.0"<br>660 mm | 23.0"<br>584 mm  | 1.5 ft. <sup>2</sup><br>0.1 m <sup>2</sup> | 65 lbs<br>29.5 kg |

NOTE: EPA and weight values do not include mounting arm  
NOTE: Spider mount adds: DL3 - 0.5 ft.<sup>2</sup> EPA (5 lbs.), DL2 - 0.3 ft.<sup>2</sup> EPA (3 lbs.), DL1 - 0.2 ft.<sup>2</sup> EPA (2 lbs.)

## ORDERING INFORMATION

ORDERING EXAMPLE: DL2-A-H1K-H3-F-5-BL-L



| SERIES     |                        |
|------------|------------------------|
| <b>DL1</b> | Dallas 1<br>(100-150w) |
| <b>DL2</b> | Dallas 2<br>(200-400w) |
| <b>DL3</b> | Dallas 3<br>(1000w)    |

| MOUNT                 |  |
|-----------------------|--|
| <b>A</b>              | Arm mount<br>(arm not included,<br>order separately) |
| <b>ST<sup>4</sup></b> | Spider mount<br>(2.375" tenon)                       |

| LAMP ORIENT./DISTR.   |                   |
|-----------------------|-------------------|
| <b>H2<sup>1</sup></b> | Horiz. II         |
| <b>H3</b>             | Horiz. III        |
| <b>H4<sup>2</sup></b> | Horiz. IV         |
| <b>H5</b>             | Horiz. V (square) |

| SOURCE/WATTAGE                  |                              |
|---------------------------------|------------------------------|
| <b>METAL HALIDE</b>             |                              |
| <b>H1K</b>                      | 1000w (BT-56) DL3 only       |
| <b>SUPER METAL HALIDE</b>       |                              |
| <b>MS1K</b>                     | 1000w (BT-56) DL3 only       |
| <b>PULSE START METAL HALIDE</b> |                              |
| <b>P10</b>                      | 100w (ED-17) DL1 only        |
| <b>P12</b>                      | 125w (ED-17) DL1 only        |
| <b>P15</b>                      | 150w (ED-28) DL1 only        |
| <b>P20</b>                      | 200w (T-15) DL2 only         |
| <b>P25</b>                      | 250w (ED-28) DL2 only        |
| <b>P32</b>                      | 320w (ED-28) DL2 only        |
| <b>P35</b>                      | 350w (ED-28) DL2 only        |
| <b>P40</b>                      | 400w (ED-28) DL2 only        |
| <b>HIGH PRESSURE SODIUM</b>     |                              |
| <b>S70</b>                      | 70w (ED-23.5) DL1 only       |
| <b>S10</b>                      | 100w (ED-23.5) DL1 only      |
| <b>S15</b>                      | 150w (ED-23.5) DL1, DL2 only |
| <b>S25</b>                      | 250w (ED-18) DL2 only        |
| <b>S40</b>                      | 400w (ED-18) DL2, DL3 only   |
| <b>S1K</b>                      | 1000w (E-25) DL3 only        |
| <b>LOW PRESSURE SODIUM</b>      |                              |
| <b>L35<sup>6,8</sup></b>        | 35W (T-17) DL3 only          |
| <b>L55<sup>6,8</sup></b>        | 55W (T-17) DL3 only          |
| <b>L90<sup>6,8</sup></b>        | 90W (T-21) DL3 only          |

| LENS     |      |
|----------|------|
| <b>F</b> | Flat |

| VOLTAGE              |                                |
|----------------------|--------------------------------|
| <b>Q<sup>3</sup></b> | Quad-Tap®<br>120/208/240/277V  |
| <b>5<sup>5</sup></b> | 480V                           |
| <b>T<sup>3</sup></b> | Tri-Tap®<br>120/277/347V (CSA) |

| COLOR     |                                   |
|-----------|-----------------------------------|
| <b>DB</b> | Dark Bronze                       |
| <b>BL</b> | Black                             |
| <b>WH</b> | White                             |
| <b>GR</b> | Gray                              |
| <b>PS</b> | Platinum Silver                   |
| <b>RD</b> | Red<br>(premium color)            |
| <b>FG</b> | Forest Green<br>(premium color)   |
| <b>CC</b> | Custom Color<br>(consult factory) |

| OPTIONS               |  |
|-----------------------|--|
| <b>F(X)</b>           | Fusing (replace X with voltage: 1-120, 2-208, 3-240, 4-277, 5-480, 6-347)                |
| <b>PR(X)</b>          | Photo cell receptacle (replace X with voltage: 1-120, 2-208, 3-240, 4-277, 5-480, 6-347) |
| <b>QZ<sup>7</sup></b> | Quartz restrike with lamp  |
| <b>HS<sup>7</sup></b> | Internal house-side shield (flat lens only)  |
| <b>VG<sup>4</sup></b> | Polycarbonate vandal guard   |
| <b>RDB</b>            | Reveal - Dark Bronze   |
| <b>RBL</b>            | Reveal - Black   |
| <b>RWH</b>            | Reveal - White   |
| <b>RGR</b>            | Reveal - Gray  |
| <b>RPS</b>            | Reveal - Platinum Silver   |
| <b>RRD</b>            | Reveal - Red   |
| <b>RFG</b>            | Reveal - Forest Green  |
| <b>L<sup>6</sup></b>  | Lamp   |

## ARM LOGIC (order separately)

| SERIES     |           |
|------------|-----------|
| <b>ARM</b> | Rigid arm |

| LUMINAIRE SHAPE |       |
|-----------------|-------|
| <b>R</b>        | Round |

| ARM LENGTH |   |
|------------|---|
| <b>6</b>   | 6" Arm<br>(EPA = 0.24 ft. <sup>2</sup> , 3.5 lbs)<br>(0.02 m <sup>2</sup> , 1.5 kg) |
| <b>10</b>  | 10" Arm<br>(EPA = 0.4 ft. <sup>2</sup> , 5.0 lbs)<br>(0.03 m <sup>2</sup> , 2.2 kg) |

| POLE SHAPE              |                               |
|-------------------------|-------------------------------|
| <b>#1 DRILL PATTERN</b> |                               |
| <b>S</b>                | Square                        |
| <b>R4</b>               | Round straight (4.5")         |
| <b>R5</b>               | Round straight (5")           |
| <b>R6</b>               | Round straight (6")           |
| <b>#2 DRILL PATTERN</b> |                               |
| <b>T2</b>               | Round tapered (2.5")          |
| <b>T3</b>               | Round tapered (3")            |
| <b>T35</b>              | Round tapered (3.5")          |
| <b>T4</b>               | Round tapered & straight (4") |

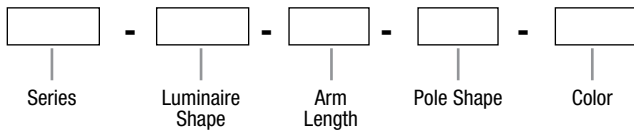
  

| COLOR     |                                |
|-----------|--------------------------------|
| <b>DB</b> | Dark Bronze                    |
| <b>BL</b> | Black                          |
| <b>WH</b> | White                          |
| <b>GR</b> | Gray                           |
| <b>PS</b> | Platinum Silver                |
| <b>RD</b> | Red (premium color)            |
| <b>FG</b> | Forest Green (premium color)   |
| <b>CC</b> | Custom Color (consult factory) |

1 Available with DL1 and DL2 only  
2 Reduced envelope lamp required for 1000w  
3 Factory wired for highest voltage unless specified  
4 VG not available with spider mounting  
5 Not available with 100w PSMH lamp  
6 Lamps & lamp support devices included with LPS  
7 Not available with LPS  
8 LPS with DL3 option only

## ORDERING INFORMATION

ORDERING EXAMPLE ARM: ARM-R-6-S-DB



### SERIES

**ARM** Rigid Arm

### LUMINAIRE SHAPE

**R** Round

### ARM LENGTH

**6** 6" Arm (EPA=0.24 ft<sup>2</sup>, 3.5 lbs)  
(0.02 m<sup>2</sup>, 1.5 kg)

**10** 10" Arm (EPA=0.4 ft<sup>2</sup>, 5.0 lbs)  
(0.03 m<sup>2</sup>, 2.2 kg)

### POLE SHAPE

**#1 DRILL PATTERN FOR POLE**

**S** Square

**R4** Round Straight (4.5")

**R5** Round Straight (5")

**R6** Round Straight (6")

**#2 DRILL PATTERN FOR POLE**

**T2** Round Tapered (2.5")

**T3** Round Tapered (3")

**T35** Round Tapered (3.5")

**T4** Round Tapered & Straight (4")

### COLOR

**DB** Dark Bronze

**BL** Black

**WH** White

**GR** Gray

**PS** Platinum Silver

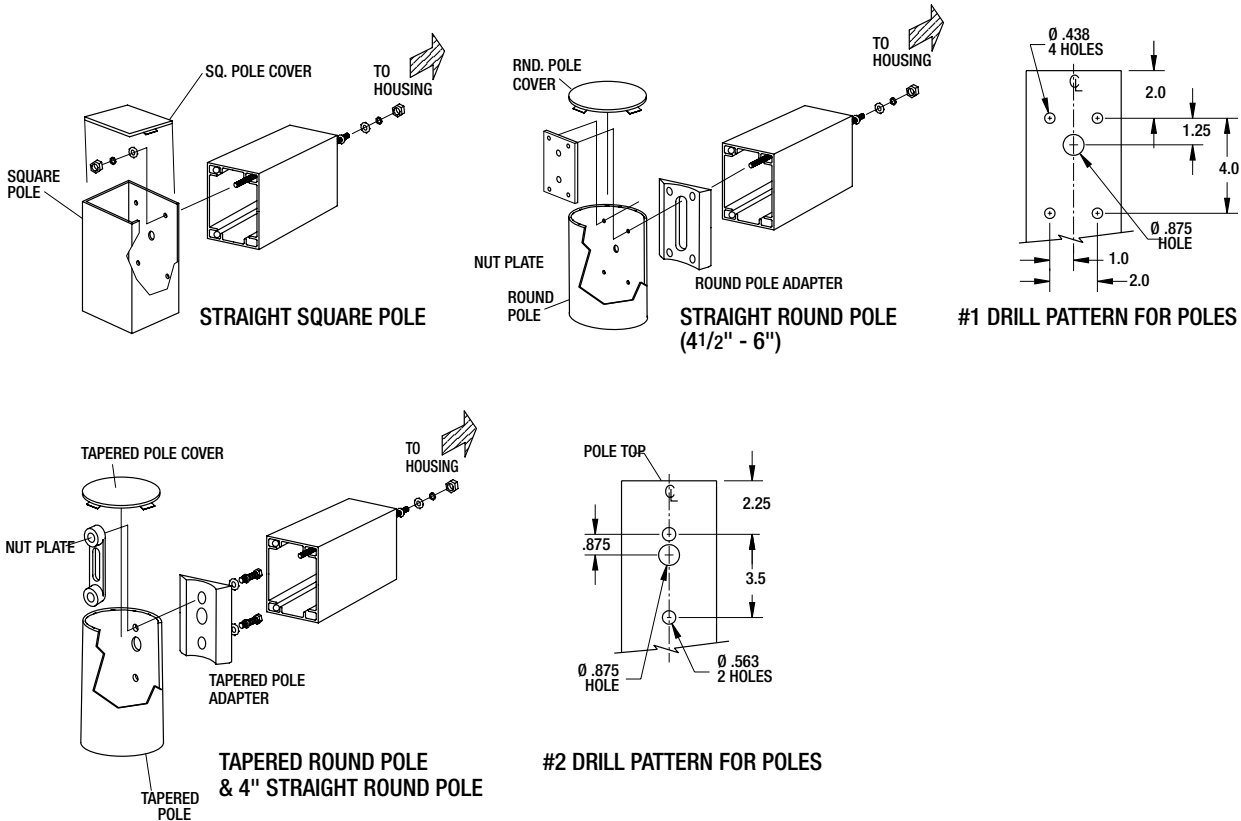
**RD** Red (premium color)

**FG** Forest Green (premium color)

**CC** Custom Color (consult factory)

### WALL BRACKET

**WB-R-XX** Bracket and 6" arm included  
Replace **XX** with color designation



Due to our continued efforts to improve our products, product specifications are subject to change without notice.



Spaulding Lighting • 701 Millennium Drive • Greenville, SC 29607 • PHONE: 864-678-1000  
For more information visit our web site: [www.spauldinglighting.com](http://www.spauldinglighting.com)

## ACCESSORIES

### POLE ADAPTERS

|                         |   |
|-------------------------|---|
| <b>RPA4-XX</b>          | Round pole adapter for<br>(4.5" round straight dia. pole)                           |
| <b>RPA5-XX</b>          | Round pole adapter for<br>(5 to 6" round straight dia. pole)                        |
| <b>RTPA2.5-XX</b>       | Round pole adapter for<br>(2-3/8" to 2-5/8" round tapered dia. pole)                |
| <b>RTPA3-XX</b>         | Round pole adapter for<br>(2-3/4" to 3-1/8" round tapered dia. pole)                |
| <b>RTPA3.5-XX</b>       | Round pole adapter for<br>(3-1/4" to 3-3/4" round tapered dia. pole)                |
| <b>RTPA4-XX</b>         | Round pole adapter for<br>(3-7/8" to 4" round tapered dia. pole)                    |
| <b>FEA-2-XX</b>         | Triangle steel adapt double @ 120 deg.  |
| <b>FEA-3-XX</b>         | Triangle steel adapt triple @ 120 deg.  |
| <b>2-SA-SGL-D-XX</b>    | Square steel adapt single   |
| <b>2-SA-D90-XX</b>      | Square steel adapt-double @ 90 deg.   |
| <b>2-SA-D180-XX</b>     | Square steel adapt-double @ 180 deg.  |
| <b>2-SA-TPL-D90-XX</b>  | Square steel adapt-triple @ 90 deg.   |
| <b>2-SA-QD-D-XX</b>     | Square steel adapt-quad @ 90 deg.   |
| <b>2-RA-SGL-D-XX</b>    | Round steel adapt-single  |
| <b>2-RA-D90-XX</b>      | Round steel adapt-double @ 90 deg.  |
| <b>2-RA-D180-XX</b>     | Round steel adapt-double @ 180 deg.   |
| <b>2-RA-TPL-D90-XX</b>  | Round steel adapt-triple @ 90 deg.  |
| <b>2-RA-TPL-D120-XX</b> | Round steel adapt-triple @ 120 deg.   |
| <b>2-RA-QD-D-XX</b>     | Round steel adapt-triple @ 90 deg.  |
| <b>WB-R-XX</b>          | Wall Bracket.   |
| <b>CBL-2-XX</b>         | Twin parallelluminaire bracket.   |
| <b>8914529</b>          | DL1 house side shield.  |
| <b>8914528</b>          | DL2 house side shield.  |
| <b>8914548</b>          | DL3 house side shield.  |
| <b>PTL-1</b>            | (must use PCR (X) option)<br>Photocontrol - Twistlock cell (120V)                   |
| <b>PTL-8</b>            | (must use PCR (X) option)<br>Photocontrol - Twistlock cell<br>(120, 208, 240, 277V) |
| <b>PTL-5</b>            | (must use PCR (X) option)<br>Photocontrol - Twistlock cell (480V)                   |
| <b>PTL-6</b>            | (must use PCR (X) option)<br>Photocontrol - Twistlock cell (347V)                   |
| <b>PSC</b>              | (must use PCR (X) option)<br>Shorting Cap - Twistlock                               |

Due to our continued efforts to improve our products, product specifications are subject to change without notice.



Spaulding Lighting • 701 Millennium Drive • Greenville, SC 29607 • PHONE: 864-678-1000

For more information visit our web site: [www.spauldinglighting.com](http://www.spauldinglighting.com)