

DETROIT SERIES

Cat. #		Approvals
Job	Type	

**SPAULDING
LIGHTING**

APPLICATIONS

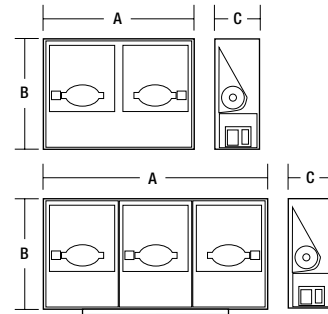
- Provides uniform lighting with high minimum footcandle levels for auto dealerships and tennis courts

SPECIFICATIONS

- Extruded aluminum sides with formed aluminum top locked and sealed together. Housing features decorative reveal. Optional color vinyl trim stripe available
- Extruded aluminum door with clear, flat tempered glass lens, fully gasketed to housing. Spring loaded latches/hinges provide tool-free access to lamps. DT3 features three separate doors
- Specular, anodized aluminum reflectors for horizontal lamps, provide Type IV light pattern. Reflectors are field rotatable, except center stationary reflector in DT3. IESNA full cutoff lighting classification achieved with flat lens
- Luminaire secures directly to square pole for flush, level mounting
- Mogul porcelain socket, pulse rated, with spring-loaded, nickel-plated center contact and reinforced lamp grip screw shell
- CWA type ballast, HPF, starting rated at -20°F (-40°F for HPS)
- Durable Lektrocote® TGIC thermoset polyester powder coat paint finish assures long life and maintenance-free service

LISTINGS/CERTIFICATIONS

- Listed to UL1598 for use in wet locations
- IDA fixture seal of approval



	A	B	C	EPA	Weight
DT2	41.0"	26.0"	10.0"	3.8 ft. ²	148 lbs
	1041 mm	660 mm	254 mm	0.4 m ²	67.1 kg
DT3	66.0"	28.0"	10.0"	6.0 ft. ²	221 lbs
	1676 mm	711 mm	254 mm	0.6 m ²	100.1 kg

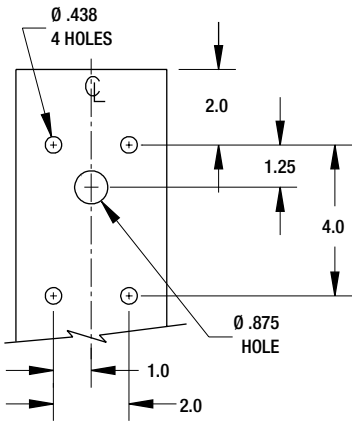


ORDERING INFORMATION

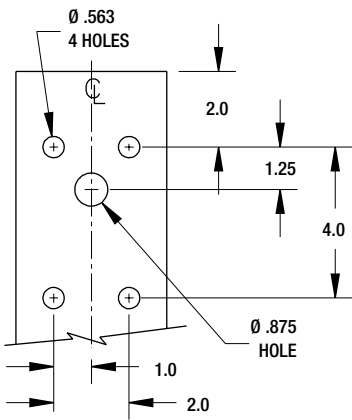
ORDERING EXAMPLE: DT2-FM-H1K-F-H4- - - - -

SERIES	SOURCE/WATTAGE	LENS	VOLTAGE	OPTIONS
DT2 Detroit 2 (two lamps) DT3 Detroit 3 (three lamps)	METAL HALIDE H1K 1000w (BT-56) SUPER METAL HALIDE MS1K 1000w (BT-56) PULSE START METAL HALIDE P40 400w (ED-37) HIGH PRESSURE SODIUM S40 400w (ED-18) S1K 1000w (E-25)	F Flat	Q² Quad-Tap® 120/208/240/277V 5 480V T² Tri-Tap® 120/277/347V (CSA)	F(X) Fusing (replace X with voltage: 1-120, 2-208, 3-240, 4-277, 5-480, 6-347) PR(X) Photo cell receptacle (replace X with voltage: 1-120, 2-208, 3-240, 4-277, 5-480, 6-347) QZ Quartz RS with lamp HS Internal house side shield RDB Reveal (Dark Bronze) RBL Reveal (Black) RWH Reveal (White) RGR Reveal (Gray) RPS Reveal (Platinum Silver) RRD Reveal (Red) RFG Reveal (Forest Green) L Lamp
MOUNTING	LAMP ORIENT./DISTR.	COLOR		
FM¹ Flush mount (square pole)	H4 Horiz. IV	DB Dark Bronze BL Black WH White GR Gray PS Platinum Silver RD Red (premium color) FG Forest Green (premium color) CC Custom Color (consult factory)		

1 DT2 requires #1 drill pattern. DT3 requires #5 drill pattern; Use SSS or SSA series poles
 2 Factory wired for highest voltage unless specified



#1 DRILL PATTERN FOR DT2



#5 DRILL PATTERN FOR DT3

Due to our continued efforts to improve our products, product specifications are subject to change without notice.



Spaulding Lighting • 701 Millennium Drive • Greenville, SC 29607 • PHONE: 864-678-1000
 For more information visit our web site: www.spauldinglighting.com