

MAGNUSPEC™ SERIES

| | | |
|--------|------|-----------|
| Cat. # | | Approvals |
| Job | Type | |

SPAULDING LIGHTING

APPLICATIONS

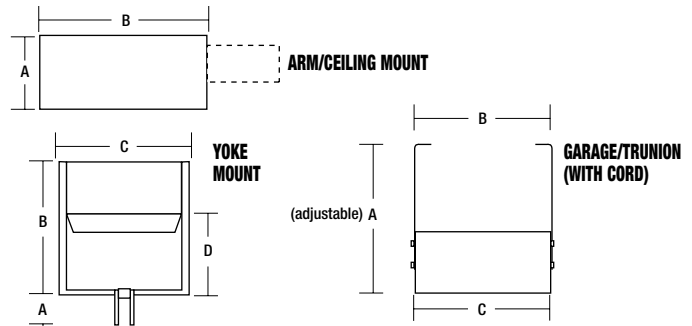
- Mounting heights from 8-20 feet covering parking, walkways, parks, canopies and parking garages

SPECIFICATIONS

- Square, one-piece formed aluminum housing with smooth wall construction.
- Extruded aluminum door frame with silicone gasketing and tool-free, die-cast zinc latches. Flat glass and dropped acrylic or polycarbonate lens types available
- Reflector system made from multifaceted segmented panels. Flat glass horizontal lamp unit offers Type I, II, III, IV and V Square distributions. Flat glass vertical lamp units provide Type V distributions. Vertically lamped drop lens units offer Type V distributions. Tool-free rotatable optics
- Extruded arm, yoke and garage-type mounting available for design flexibility
- Pulse rated medium base porcelain sockets for ED-17 lamps. CWA type ballast, 60 Hz HPF, starting rated at -20°F (-40°F HPS). 50 Hz available, consult factory
- Removable Powr-Panl® ballast tray
- Durable Lektrocote® TGIC thermoset polyester powder paint finish assures long life and maintenance-free operation

LISTINGS/CERTIFICATIONS

- Listed to UL1598 for use in wet locations
- Garage mount is damp location listed
- IESNA full cutoff classification when configured with flat lens
- IDA fixture seal of approval with flat lens



| | A | B | C | D | EPA | Weight |
|--------------------------|---------------|--------|--------|--------|----------------------|---------|
| MSS | 8.0" | 16.25" | | | 1.2 ft. ² | 25 lbs |
| ARM/CEILING MOUNT | 203 mm | 413 mm | | | 0.1 m ² | 11.3 kg |
| MSS | 5.125" | 19.25" | 19.25" | 11.25" | 1.2 ft. ² | 39 lbs |
| YOKE MOUNT | 130 mm | 489 mm | 489 mm | 286 mm | 0.1 m ² | 19.5 kg |
| MSS | 21.625" - 24" | 17.0" | 16.25" | | 1.2 ft. ² | 25 lbs |
| GARAGE MOUNT | 549-607 mm | 432 mm | 413 mm | | 0.1 m ² | 11.3 kg |

NOTE: EPA and weight values do not include mounting arm
NOTE: Drop lens adds 0.35 EPA



ORDERING INFORMATION

ORDERING EXAMPLE: MSS-A-100S-3-V-6-DB-PCR1

| | | | | | | | | | | | | | | |
|--|---|--|---|---------------------|---|---|---|---|---|--|---|--|---|-----|
| MSS | - | [] | - | [] | - | 3 | - | [] | - | [] | - | [] | - | [] |
| SERIES | | WATTAGE/SOURCE | | BALLAST TYPE | | LAMP ORIENT./DISTR. | | VOLTAGE | | COLOR | | OPTIONS | | |
| MSS Magnuspec | | PULSE START METAL HALIDE 070P ³ 70w (ED-17) 100P ³ 100w (ED-17) 150P 150w (ED-17) HIGH PRESSURE SODIUM 070S 70w (ED-17) 100S 100w (ED-17) 150S 150w (ED-17) | | 3 Powr-Panl® | | I ⁴ Type I (Horizontal) - segmented P ^{1,4} Type III (Horizontal) - segmented T ⁴ Type IV (Horizontal) - segmented W ⁴ Type V (Horizontal) - segmented V ⁴ Type V (Vertical) - segmented A Drop acrylic Type V (Vertical) L Drop polycarbonate Type V (Vertical) | | 8 ² Quad-Tap® - 120/208/240/277V 5 ³ 480V 6 ² Tri-Tap® - 120/277/347V E 220/240V, 50 Hz 0 No ballast | | DB Dark Bronze BL Black WH White GR Gray PS Platinum Silver RD Red (premium color) FG Forest Green (prem. color) | | F(X) Fusing (replace X with voltage: 1-120, 2-208, 3-240, 4-277, 5-480, 6-347) PCR(X) Photo cell receptacle (replace X with voltage: 1-120, 2-208, 3-240, 4-277, 5-480) L Lamp | | |
| MOUNT | | | | | | | | | | | | | | |
| A Arm mount (arm not included, order separately) C Ceiling G Garage/ trunion (with cord) Y Yoke mount (mounts to 2 3/8" OD tenon) | | | | | | | | | | | | | | |

MOUNTING ARM (order separately)

| | |
|-----------------|---|
| MAS-4-X | 4" Rigid arm for flat surfaces |
| MAS-10-X | 10" Rigid arm for flat surfaces (required for 90° configurations) |
| RSD-44-X | Nominal 4" OD round pole adapter for MAS arms |
| RSD-55-X | Nominal 5" OD round pole adapter for MAS arms |
| MAS-FM | Flush mount hardware (required when no arm used on pole) |
| DS-WP-X | Wall plate for flush or arm mounting fixtures |

Note: Replace X with color selection

1 Field adjustable to Type II
2 Factory wired for highest voltage unless specified
3 480V not available in 70w and 100w PSMH
4 Flat Lens

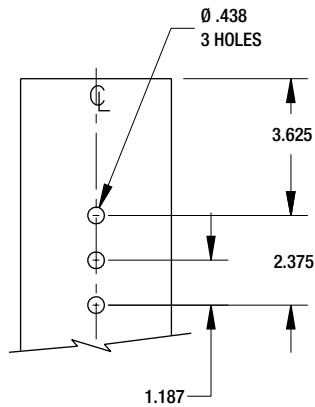
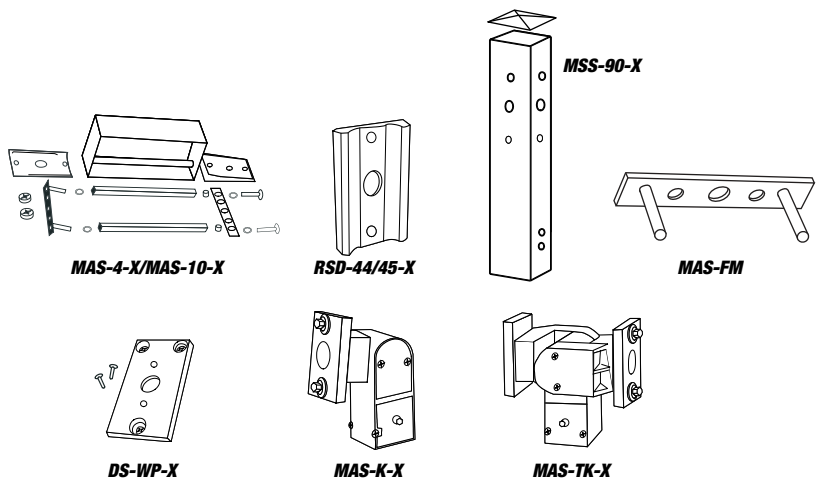
ORDERING INFORMATION

ACCESSORIES (Must be ordered separately. For field installation.)

| Catalog Number | Description |
|-----------------------------|--|
| MAS-4-X¹ | 4" Rigid Arm for flat surfaces |
| MAS-10-X¹ | 10" Rigid Arm for flat surfaces (required for 90° configurations) |
| RSD-44-X¹ | Nominal 4" OD Round Pole Adapter for MAS arms |
| RSD-55-X¹ | Nominal 5" OD Round Pole Adapter for MAS arms |
| MSS-90-X | 2.375" to 3" OD Tenon Slipfitter drilled for MAS arms |
| MAS-FM | Flush Mount Hardware for #4 drill pattern (required when no arm used on pole) |
| DS-WP-X | Wall Plate for flush or arm mounting fixtures with #4 drill pattern |
| MAS-K-X | 2.375" OD Tenon Slipfitter with adjustable arm for single fixture |
| MAS-TK-X | 2.375" OD Tenon Slipfitter with adjustable arm for two fixtures |
| MSS-SPC | .125" Polycarbonate Sheet suspended 3" below door frame |
| MSS-90-X | 2 ³ / ₈ " - 2 ⁷ / ₈ " OD Tenon top adapter |
| PTL-1 | (Must use PCR (X) option) Photocontrol - Twistlock cell (120V) |
| PTL-8 | (Must use PCR (X) option) Photocontrol - Twistlock cell (120, 208, 240, 277V) |
| PTL-5 | (Must use PCR (X) option) Photocontrol - Twistlock cell (480V) |
| PTL-6 | (Must use PCR (X) option) Photocontrol - Twistlock cell (347V) |
| PSC | (Must use PCR (X) option) Shorting Cap - Twistlock |

Note: Replace X with color selection.

1 Use #4 drill pattern when ordering poles.



#4 DRILL PATTERN FOR POLES

Due to our continued efforts to improve our products, product specifications are subject to change without notice.

SPAULDING
LIGHTING

Spaulding Lighting • 701 Millennium Drive • Greenville, SC 29607 • PHONE: 864-678-1000

For more information visit our web site: www.spauldinglighting.com