

MEDALLION 2 SERIES

Cat. #		Approvals
Job	Type	

SPAULDING LIGHTING

APPLICATIONS

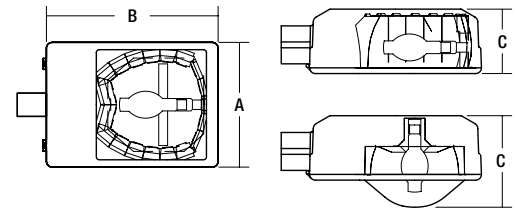
- Specification-grade luminaire providing superior uniformity and light control for parking areas, office parks, schools, walkways, and automobile dealerships

FEATURES

- Architectural, one-piece die-cast aluminum housing with nominal .125" wall thickness. Contour lines and radius corners complete "Southwest Series" look
- Die-cast aluminum door hinges to housing and secures with two, captive screws. Clear, flat or convex, tempered glass lens seals to door and housing with one-piece silicone gasketing
- Rotatable, specular, anodized aluminum reflectors for horizontal lamp, provide Type II, III, IV, or V square light patterns, and for vertical lamp provide Type I, III, IV or V square light patterns. IESNA full cutoff lighting classification achieved with flat lens
- Die-cast aluminum arm for pole mount features access door to facilitate installation. Wall mount available with cast aluminum bracket and arm. Mast arm fitter for 2³/₈" OD horizontal arm available
- Mogul porcelain socket, pulse rated, with spring-loaded, nickel-plated center contact and reinforced lamp grip screw shell
- CWA type, HPF ballast, starting rated at -20°F (-40°F for HPS)
- Durable Lektrocote® TGIC thermoset polyester powder coat paint finish assures long life and maintenance-free service

LISTINGS/CERTIFICATIONS

- Listed to UL1598 for use in wet locations
- IDA fixture seal of approval (flat lens only)



	A	B	C	EPA	Weight
FLAT	21.38"	29.44"	11.16"	2.6 ft. ²	77 lbs
	543 mm	747 mm	280 mm	0.24 m ²	34.9 kg
CONVEX	21.38"	29.44"	15.75"	2.8 ft. ²	80 lbs
	543 mm	747 mm	400 mm	0.2 m ²	36.3 kg

NOTE: EPA and weight values do not include mounting arm
5" and 6" arms add 0.22 ft.² EPA and 4lbs.
10" arm adds 0.44 ft.² EPA and 5.5lbs.

See back page for shielded values.

ORDERING INFORMATION

ORDERING EXAMPLE: CM2-A5-H1K-H3P-F-Q-DB-F4

CM2	-		-		-		-		-		-		-	
SERIES		SOURCE/WATTAGE		LENS		COLOR		OPTIONS						
CM2 Medallion 2		METAL HALIDE		F Flat C Convex		DB Dark Bronze		W(X) Wiring prep (replace X with voltage: 1-120, 2-208, 3-240, 4-277, 5-480, 6-347)						
		H1K 1000w (BT-37)				BL Black		F(X) Fusing (replace X with voltage: 1-120, 2-208, 3-240, 4-277, 5-480, 6-347)						
		SUPER METAL HALIDE				WH White		P(X) Photo button (replace X with voltage: 1-120, 2-208, 3-240, 4-277, 6-347)						
		MS1K 1000w (BT-37)		LAMP ORIENT./DISTR.		GR Gray		PR(X) Photo cell receptacle (replace X with voltage: 1-120, 2-208, 3-240, 4-277, 5-480, 6-347)						
		PULSE START METAL HALIDE		H2P ^{2,4} Horiz. II - segmented		PS Platinum Silver		RPA2 Round pole adapter (2 ³ / ₄ -3 ¹ / ₈ "						
MOUNT		P40 400w (BT-37)		H3P ^{2,4} Horiz. III - segmented		RD Red (premium color)		RPA3 Round pole adapter (3 ¹ / ₄ -3 ³ / ₄ "						
A5 Arm mount (incl. 5" rigid arm, not acceptable for 90° configuration)		P45 450w (BT-37)		H4 ⁴ Horiz. IV - multi-piece		FG Forest Green (premium color)		RPA4 Round pole adapter (3 ⁷ / ₈ -4 ¹ / ₂ "						
A10 Arm mount (incl. 10" rigid arm)		P75 750w (BT-37)		H4P ⁴ Horiz. IV - multi-piece		CC Custom Color (consult factory)		RPA5 Round pole adapter (5")						
AD6 Decorative Arm mount (incl. 6" decorative upswept arm, not acceptable for 90° configuration)		P1K 1000w (BT-37)		H5 ^{4,7} Horiz. V (square) - hydroformed				RPA6 Round pole adapter (6")						
		HIGH PRESSURE SODIUM		H5P ^{2,4} Horiz. V (square) - segmented				QZ Quartz RS with lamp						
WBA5 Wall bracket construction with 5" straight arm		S40 400w (ED-18)		V1P ^{2,5} Vert. I - segmented		VOLTAGE		HS ^{6,7} Internal house side shield						
WBA10 Wall bracket construction with 10" straight arm		S60 ¹ 600w (T-14)		V3P ^{2,5} Vert. III - segmented		Q ³ Quad-Tap® 120/208/240/277V		RP Removable Powr-Pani®						
WBAD6 Wall Bracket Construction with 6" decorative upswept arm		S75 ¹ 750w (BT-37)		V4 ^{5,6} Vert. IV - multi-piece		V ³ Five-tap 120/208/240/277/480V		TL Touch latch - tool-free entry (not for ground relamping)						
0 No arm or wall bracket (only order w/o arm or wall bracket when mounting component is ordered as an accessory)		S1K 1000w (ED-37)		V5P ^{2,5} Vert. V (square) - segmented		5 480V		VG Polycarbonate vandal guard						
						T ³ Tri-Tap® 120/277/347V		L Lamp						
						E 50Hz, 220/240V (250 & 400W PSMH & HPS only)								
						0 No ballast								

- 1 Must specify Q, 5, or T voltage; Available voltage tap on ballast may vary from catalog; **Must specify wiring prep within options**
- 2 Performance Series optics
- 3 Factory wired for highest voltage unless specified
- 4 Flat lens configurations only
- 5 Convex lens configurations only
- 6 V4 optics include HS shield standard
- 7 750w max

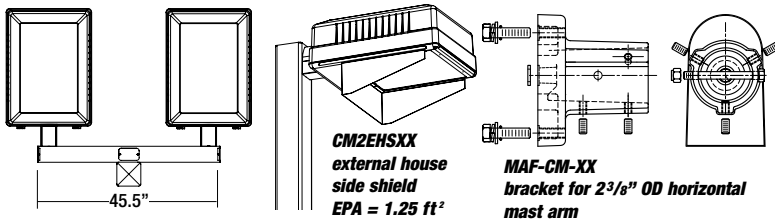
ORDERING INFORMATION

ACCESSORIES (order as separate part #)

Catalog Number	Description
TPLB-XX^{1,2}	Twin Parallel Luminaire Bracket
CM2-EHS-XX²	External House Side Shield
CM2-IHS-HL	Internal House Side Shield (horizontal lamp units)
MAF-CM-XX²	Bracket for 2 ³ / ₈ " OD horizontal mast arm
SETA-XX²	Square Pole Tenon Adapter (4 @ 90°) (2 ³ / ₈ "-2 ⁷ / ₈ " OD tenon)
RETA-XX²	Round Pole Tenon Adapter (4 @ 90°) (2 ³ / ₈ "-2 ⁷ / ₈ " OD tenon) (requires 4" round pole adapter)
TETA-XX²	Hexagonal Pole Tenon Adapter (3 @ 120°) (2 ³ / ₈ "-2 ⁷ / ₈ " OD tenon)
PLT-1	Photocontrol - Twist-Lock® Cell (120V)
PLT-8	Photocontrol - Twist-Lock® Cell (120-277V)
PLT-5	Photocontrol - Twist-Lock® Cell (480V)
PLT-6	Photocontrol - Twist-Lock® Cell (347V)
PSC	Shorting Cap - Twist-Lock®

1 Arms, luminaires, and pole not included.

2 Replace **XX** with color choice, eg: **DB** for Dark Bronze.



TPLB-XX
twin parallel luminaire bracket
EPA = 2.3 ft² (6.3 ft² with two CM2 luminaires mounted with 5" arms)

STANDARD ARM DETAIL

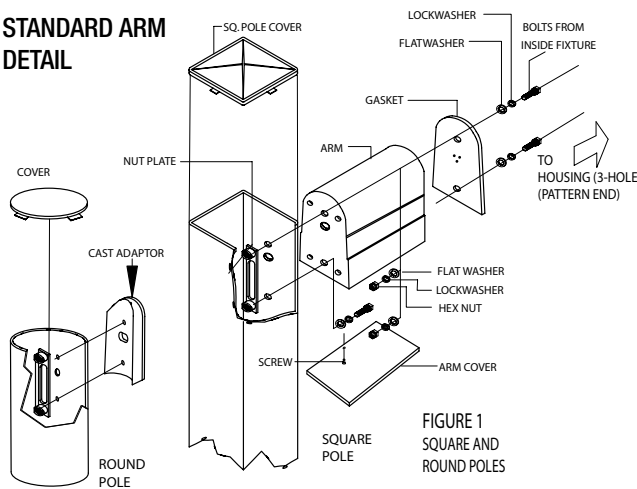
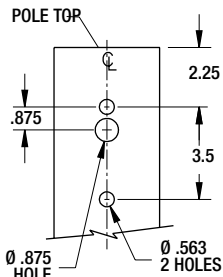


FIGURE 1
SQUARE AND
ROUND POLES

A. ARM MOUNTING INSTALLATION FOR SQUARE AND ROUND POLES



#2 DRILL PATTERN FOR POLES

SHIELDED EPA VALUES

Configuration	Arm Length	
	5 ⁷ / ₈ "	10"
Single	2.8 ft ²	3.0 ft ²
2 at 90°	N/A	4.8 ft ²
2 at 180°	5.6 ft ²	6.1 ft ²
3 at 90°	N/A	7.9 ft ²
3 at 120°	7.4 ft ²	7.9 ft ²
4 at 90°	N/A	7.9 ft ²

Convex lens adds 0.2ft² EPA for single configurations,
0.4ft² for doubles, triples and quads.

SPECIFICATIONS

HOUSING Single-piece die cast aluminum alloy housing having a smooth surface appearance and nominal 0.125" wall thickness for rigid structural support, durability, and heat dissipation of electrical components. Featuring a two-tiered rectilinear housing, chamfered top, and vertically-oriented side ribbing, all corners and edges have a radius corner design. Integral doorframe hinges remain inconspicuous in appearance. Nominal housing dimensions of 21.38" W x 29.44" L x 11.06" D (convex lens adds 4.69" depth). Housing to accept optional Twist-Lock® and button style photocell control equipment. Powder paint finishes standard.

DOOR/LENS Single-piece die cast aluminum alloy doorframe having a smooth surface appearance and nominal 0.125" wall thickness for rigid structural support and durability. Radius doorframe edge smoothly transitions luminaire housing sides to the bottom of the doorframe enclosure. The doorframe assembly remains captive to the housing as it hinges toward the rear of the luminaire when opened for servicing, however can be easily removed. The door assembly when closed fastens to the housing, utilizing four points of contact consisting of two corrosion-resistant screws and two inconspicuous integral die cast aluminum hinges. Tool-free touch latch entry available. Doorframe closure creates positive compression of single-piece silicone gasket. Clear tempered glass enclosure available in both flat and convex designs, which seal to the doorframe with a single-piece silicone gasket. Available doorframe accessories include a three-sided external house side shield (painted to match housing color) and clear polycarbonate shielding for glass protection. Powder paint finishes standard.

MOUNTING Single-piece die cast aluminum alloy rigid straight arm having a smooth surface appearance features an arched top and horizontal contour lines to complement the luminaire housing design. Available in both 5" and 10" lengths, all mounting hardware is concealed within the arm assembly and is accessible from an inconspicuous removable door on the lower portion of the casting. The decorative upswept cast aluminum arm features an arched top, 3.25" rise over a 6" length, and removable door on the lower portion of the casting. Luminaire and arm mounting hardware includes 1/2" diameter grade 5 bolts. Multiple cast aluminum adapters are available for round poles ranging from 2 3/4" to 6" in diameter. Wall plate bracket and mast arm fitter for horizontal 2 3/8" OD pipe also available. All mounting components include gasket material to seal between the luminaire housing and mounting accessory. Powder paint finishes standard.

OPTICS Available reflectors include both horizontal and vertically lamped versions. Horizontal configurations include IES type II, III, IV, and V-square distributions and feature a flat lens design. Vertical configurations include IES type I, III, IV, and V-square distributions and feature a convex lens. All reflectors field rotate in 90° increments. Flat lens design meets IES Full Cutoff classification standards. Internal and external house side shielding available.

ELECTRICAL Available HID wattage range of 400 to 1000 watts from Metal Halide, Pulse Start Metal Halide, High Output Super Metal Halide, and High Pressure Sodium sources. Additional options include fusing, photocell cell control, and a quartz restrike lamp.

FINISH TGIC thermoset polyester powder paint finish applied at nominal 2.5-mil thickness. Prior to painting all luminaires and mounting accessories should be thoroughly cleaned with acid and alkaline cleaners followed by the application of a chromate conversion coating.

LISTING/CERTIFICATION CSA certified for outdoor use in wet locations.

Due to our continued efforts to improve our products, product specifications are subject to change without notice.

SPAULDING
LIGHTING

Spaulding Lighting • 701 Millennium Drive • Greenville, SC 29607 • PHONE: 864-678-1000

For more information visit our web site: www.spauldinglighting.com