

# MONTEREY SERIES

Cat. #		Approvals
Job	Type	

**SPAULDING**  
LIGHTING

### APPLICATIONS

- Complements a multitude of commercial architecture

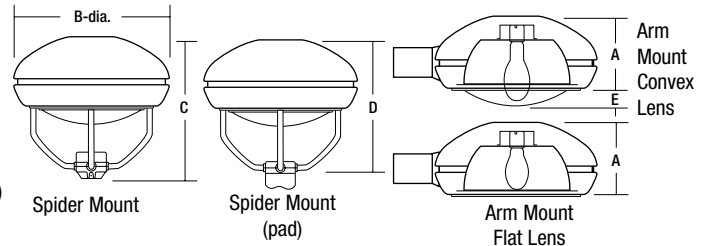
### SPECIFICATIONS

- Round two-piece, spun aluminum housing. Standard reveal accentuated with color vinyl trim stripe
- Spun aluminum door with clear, convex tempered glass lens, fully gasketed to housing. Hinged door secured with captive screws. Optional flat glass lens (MY2 and MY3 requires reduced envelope lamp)
- Specular, anodized aluminum reflectors for vertical lamp, provide Type III, IV or V square light patterns. Segmented Type III reflector with MY2, and Type III and Type V reflectors with MY3. IESNA Full cutoff lighting classification achieved with flat lens
- Extruded aluminum arm required for pole mount. Spider mount luminaire has four aluminum tube arms with cast internal pole fitter or cast slipfitter

- Mogul porcelain socket, pulse rated, with spring-loaded, nickel-plated center contact and reinforced lamp grip screw shell. Medium base for ED-17 lamp
- 175-400W CWA type ballast, HPF, starting rated at -20°F (-40°F for HPS)
- 100-150W lag type HPF ballast, starting rating at -20°F
- Ballast components mount to removable panel
- Durable Lektrocote® TGIC thermoset polyester powder coat paint finish assures long life and maintenance-free service

### LISTINGS/CERTIFICATIONS

- Listed to UL1598 for use in wet locations
- IDA fixture seal of approval



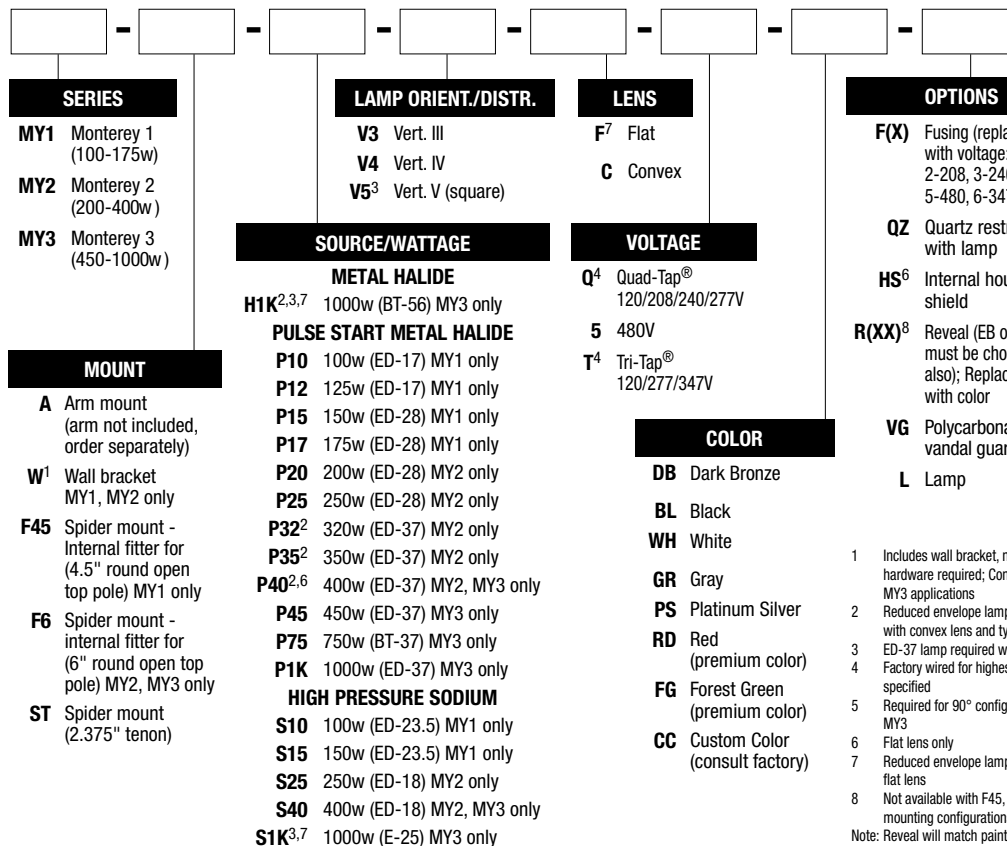
	A	B	C	D	E	EPA	Weight
<b>MY1</b>	9.375"	21"	19.25"	17.875"	-	.85 ft. <sup>2</sup>	31 lbs
<b>FLAT</b>	238 mm	533 mm	489 mm	454 mm	-	0.1 m <sup>2</sup>	14.1 kg
<b>MY1</b>	9.375"	21"	19.25"	17.875"	1.625"	.9 ft. <sup>2</sup>	33 lbs
<b>CONVEX</b>	238 mm	533 mm	489 mm	454 mm	42 mm	0.1 m <sup>2</sup>	15 kg
<b>MY2</b>	11.938"	26"	23.719"	22.313"	-	1.2 ft. <sup>2</sup>	44 lbs
<b>FLAT</b>	303 mm	660 mm	602 mm	567 mm	-	0.1 m <sup>2</sup>	19.9 kg
<b>MY2</b>	11.938"	26"	23.719"	22.313"	2.843"	1.3 ft. <sup>2</sup>	46 lbs
<b>CONVEX</b>	303 mm	660 mm	602 mm	567 mm	72 mm	0.1 m <sup>2</sup>	20.8 kg
<b>MY3</b>	15.375"	34"	29.062"	27.688"	-	1.7 ft. <sup>2</sup>	71 lbs
<b>FLAT</b>	391 mm	864 mm	738 mm	703 mm	-	0.2 m <sup>2</sup>	32.2 kg
<b>MY3</b>	15.375"	34"	29.062"	27.688"	4.125"	1.8 ft. <sup>2</sup>	75 lbs
<b>CONVEX</b>	391 mm	864 mm	738 mm	703 mm	105 mm	0.2 m <sup>2</sup>	34 kg

NOTE: EPA and weight values do not include mounting arm

NOTE: Spider mount adds: MY3 - 0.5 ft.<sup>2</sup> EPA (3 lbs.), MY2 - 0.3 ft.<sup>2</sup> EPA (2 lbs.), MY1 - 0.2 ft.<sup>2</sup> EPA (2 lbs.)

## ORDERING INFORMATION

ORDERING EXAMPLE: MY1-F45-P15-V3-C-Q-PS-RBL



SERIES	<b>MY1</b> Monterey 1 (100-175w) <b>MY2</b> Monterey 2 (200-400w) <b>MY3</b> Monterey 3 (450-1000w)
LAMP ORIENT./DISTR.	<b>V3</b> Vert. III <b>V4</b> Vert. IV <b>V5<sup>3</sup></b> Vert. V (square)
LENS	<b>F<sup>7</sup></b> Flat <b>C</b> Convex
VOLTAGE	<b>Q<sup>4</sup></b> Quad-Tap® 120/208/240/277V <b>5</b> 480V <b>T<sup>4</sup></b> Tri-Tap® 120/277/347V
SOURCE/WATTAGE	<b>METAL HALIDE</b> <b>H1K<sup>2,3,7</sup></b> 1000w (BT-56) MY3 only <b>PULSE START METAL HALIDE</b> <b>P10</b> 100w (ED-17) MY1 only <b>P12</b> 125w (ED-17) MY1 only <b>P15</b> 150w (ED-28) MY1 only <b>P17</b> 175w (ED-28) MY1 only <b>P20</b> 200w (ED-28) MY2 only <b>P25</b> 250w (ED-28) MY2 only <b>P32<sup>2</sup></b> 320w (ED-37) MY2 only <b>P35<sup>2</sup></b> 350w (ED-37) MY2 only <b>P40<sup>2,6</sup></b> 400w (ED-37) MY2, MY3 only <b>P45</b> 450w (ED-37) MY3 only <b>P75</b> 750w (BT-37) MY3 only <b>P1K</b> 1000w (ED-37) MY3 only <b>HIGH PRESSURE SODIUM</b> <b>S10</b> 100w (ED-23.5) MY1 only <b>S15</b> 150w (ED-23.5) MY1 only <b>S25</b> 250w (ED-18) MY2 only <b>S40</b> 400w (ED-18) MY2, MY3 only <b>S1K<sup>3,7</sup></b> 1000w (E-25) MY3 only
MOUNT	<b>A</b> Arm mount (arm not included, order separately) <b>W<sup>1</sup></b> Wall bracket MY1, MY2 only <b>F45</b> Spider mount - Internal fitter for (4.5" round open top pole) MY1 only <b>F6</b> Spider mount - internal fitter for (6" round open top pole) MY2, MY3 only <b>ST</b> Spider mount (2.375" tenon)

COLOR	<b>DB</b> Dark Bronze <b>BL</b> Black <b>WH</b> White <b>GR</b> Gray <b>PS</b> Platinum Silver <b>RD</b> Red (premium color) <b>FG</b> Forest Green (premium color) <b>CC</b> Custom Color (consult factory)
-------	---

OPTIONS	<b>F(X)</b> Fusing (replace X with voltage: 1-120, 2-208, 3-240, 4-277, 5-480, 6-347) <b>QZ</b> Quartz restrike with lamp <b>HS<sup>6</sup></b> Internal house-side shield <b>R(XX)<sup>8</sup></b> Reveal (EB option must be chosen also); Replace XX with color <b>VG</b> Polycarbonate vandal guard <b>L</b> Lamp
---------	---

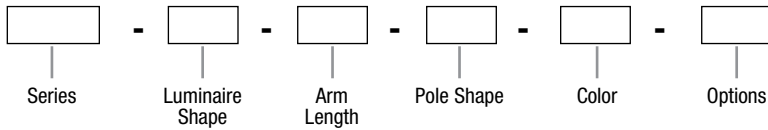
1 Includes wall bracket, no additional hardware required; Consult factory for MY3 applications  
 2 Reduced envelope lamp required for MY3 with convex lens and type IV reflector  
 3 ED-37 lamp required with 1000w HPS  
 4 Factory wired for highest voltage unless specified  
 5 Required for 90° configurations with MY3  
 6 Flat lens only  
 7 Reduced envelope lamp required with flat lens  
 8 Not available with F45, F6 or ST mounting configurations  
 Note: Reveal will match paint color when none indicated

### ARM LOGIC (order separately)

SERIES	<b>ARM</b> Rigid arm
LUMINAIRE SHAPE	<b>M</b> Monterey
ARM LENGTH	<b>6</b> 6" Arm (EPA = 0.24 ft. <sup>2</sup> , 3.5 lbs) (0.02 m <sup>2</sup> , 1.5 kg) <b>10<sup>5</sup></b> 10" Arm (EPA = 0.4 ft. <sup>2</sup> , 5.0 lbs) (0.03 m <sup>2</sup> , 2.2 kg)
POLE SHAPE	<b>#1 DRILL PATTERN</b> <b>S</b> Square <b>R4</b> Round straight (4.5") <b>R5</b> Round straight (5") <b>R6</b> Round straight (6") <b>#2 DRILL PATTERN</b> <b>T2</b> Round tapered (2.5") <b>T3</b> Round tapered (3") <b>T35</b> Round tapered (3.5") <b>T4</b> Round tapered & straight (4")
COLOR	<b>DB</b> Dark Bronze <b>BL</b> Black <b>WH</b> White <b>GR</b> Gray <b>PS</b> Platinum Silver <b>RD</b> Red (premium color) <b>FG</b> Forest Green (premium color) <b>CC</b> Custom Color (consult factory)
OPTIONS	<b>P(X)</b> Photo button (replace X with voltage: 1-120, 2-208, 3-240, 4-277, 6-347V)

# ORDERING INFORMATION

ORDERING EXAMPLE ARM: ARM-M-6-S-DB-P1



## SERIES

**ARM** Rigid Arm

## LUMINAIRE SHAPE

**M** Monterey

## ARM LENGTH

**6** 6" Arm (EPA=0.24 ft<sup>2</sup>, 3.5 lbs)  
(0.02 m<sup>2</sup>, 1.5 kg)  
**10** 10" Arm (EPA=0.4 ft<sup>2</sup>, 5.0 lbs)  
(0.03 m<sup>2</sup>, 2.2 kg)<sup>1</sup>

<sup>1</sup> Required for 90° configurations.

## WALL BRACKET

**WB-S-XX** Bracket only, arm not included nor required for fixture mounting  
Replace **XX** with color designation

## POLE SHAPE

### #1 DRILL PATTERN FOR POLE

**S** Square  
**R4** Round Straight (4.5")  
**R5** Round Straight (5")  
**R6** Round Straight (6")

### #2 DRILL PATTERN FOR POLE

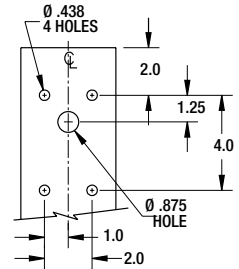
**T2** Round Tapered (2.5")  
**T3** Round Tapered (3")  
**T35** Round Tapered (3.5")  
**T4** Round Tapered & Straight (4")

## COLOR

**DB** Dark Bronze  
**BL** Black  
**WH** White  
**GR** Gray  
**PS** Platinum Silver  
**RD** Red (premium color)  
**FG** Forest Green (premium color)  
**CC** Custom Color (consult factory)

## OPTIONS

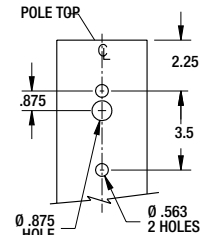
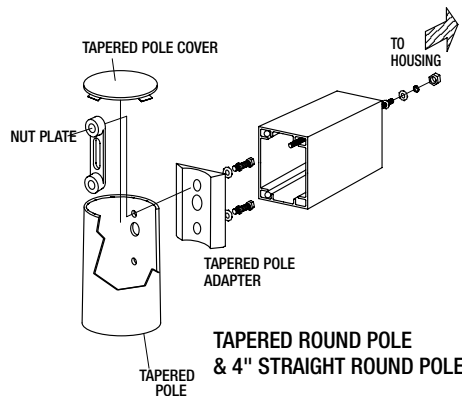
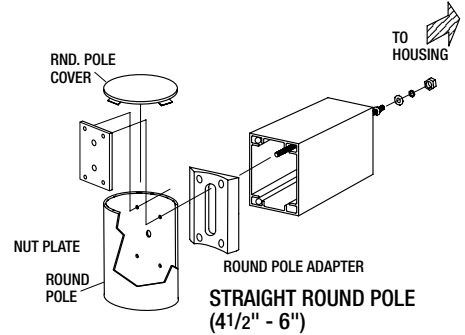
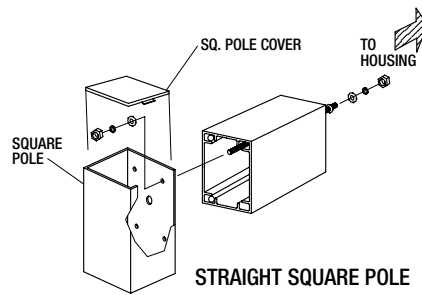
**P1** Photo Button - 120V  
**P2** Photo Button - 208V  
**P3** Photo Button - 240V  
**P4** Photo Button - 277V  
**P6** Photo Button - 347V



#1 DRILL PATTERN FOR POLES

## POLE ADAPTERS

<b>RPA4-XX</b>	Round pole adapter for (4.5" round straight dia. pole)
<b>RPA5-XX</b>	Round pole adapter for (5 to 6" round straight dia. pole)
<b>RTPA2.5-XX</b>	Round pole adapter for (2-3/8" to 2-5/8" round tapered dia. pole)
<b>RTPA3-XX</b>	Round pole adapter for (2-3/4" to 3-1/8" round tapered dia. pole)
<b>RTPA3.5-XX</b>	Round pole adapter for (3-1/4" to 3-3/4" round tapered dia. pole)
<b>RTPA4-XX</b>	Round pole adapter for (3-7/8" to 4" round tapered dia. pole)
<b>FEA-2-XX</b>	Triangle steel adapt double @ 120 deg.
<b>FEA-3-XX</b>	Triangle steel adapt triple @ 120 deg.
<b>2-SA-SGL-D-XX</b>	Square steel adapt single
<b>2-SA-D90-XX</b>	Square steel adapt-double @ 90 deg.
<b>2-SA-D180-XX</b>	Square steel adapt-double @ 180 deg.
<b>2-SA-TPL-D90-XX</b>	Square steel adapt-triple @ 90 deg.
<b>2-SA-QD-D-XX</b>	Square steel adapt-quad @ 90 deg.
<b>2-RA-SGL-D-XX</b>	Round steel adapt-single
<b>2-RA-D90-XX</b>	Round steel adapt-double @ 90 deg.
<b>2-RA-D180-XX</b>	Round steel adapt-double @ 180 deg.
<b>2-RA-TPL-D90-XX</b>	Round steel adapt-triple @ 90 deg.
<b>2-RA-TPL-D120-XX</b>	Round steel adapt-triple @ 120 deg.
<b>2-RA-QD-D-XX</b>	Round steel adapt-triple @ 90 deg.
<b>WB-R-XX</b>	Wall Bracket.
<b>CBL-2-XX</b>	Twin parallel luminaire bracket.
<b>8914529</b>	MY1 flat glass internal house side shield.
<b>8914528</b>	MY2 flat glass internal house side shield.
<b>8914548</b>	MY3 flat glass internal house side shield.
<b>ETO 0773601</b>	MY1 polycarbonate vandal shield.
<b>ETO 0770003</b>	MY2 polycarbonate vandal shield.



#2 DRILL PATTERN FOR POLES

Due to our continued efforts to improve our products, product specifications are subject to change without notice.



Spaulding Lighting • 701 Millennium Drive • Greenville, SC 29607 • PHONE: 864-678-1000  
For more information visit our web site: [www.spauldinglighting.com](http://www.spauldinglighting.com)