

Cat. #		Approvals
Job	Type	

**APPLICATIONS**

- Malls, retail complexes, industrial sites or any large area lighting project where superior performance, design flexibility, and value are a must

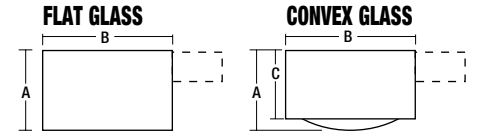
**SPECIFICATIONS**

- Lightweight, rugged, one-piece formed and welded aluminum for smooth wall construction and weatherproofing. Pre-drilled for arm mounting. Decorative embossed band and reveal colors available
- Extruded aluminum door frame with rigid corner bracing and die cast zinc latches for tool-free entry (flat glass lens). Formed aluminum doorframe (convex lens) with stainless steel, Knurled head thumb screw design for tool-free entry. Quality high temperature rated extruded silicone gasket seals out insects, dirt and moisture. Tempered flat glass lens provides impact and thermal shock resistance and a sharp full cutoff classification. Impact and thermal shock resistant convex lens provides improved light level uniformity and broadened luminaire spacing

- Vertical and horizontal lamp orientations available: IES types I, II, III, IV, and V distributions. V1P, V3P, V5P and H5P reflectors are fully segmented. V4 and H4 reflectors are multi-piece design. H3 and H5 reflectors are hydroformed. All reflectors are rotatable
- Spider mount has four twin-tube arms attaching housing to pole top fitter. Yoke mount has two square arms securing housing to pole top fitter
- Extruded aluminum arms in 4" and 10" lengths along with multiple adapters provide mounting flexibility.
- Mogul porcelain socket, pulse rated, with spring-loaded, nickel-plated center contact and reinforced lamp grip screw shell
- CWA type, HPF ballast, starting rated at -20°F (-40°F for HPS)
- Durable Lektrocote® TGIC thermoset polyester powder coat paint finish assures long life and maintenance-free service

**LISTINGS/CERTIFICATIONS**

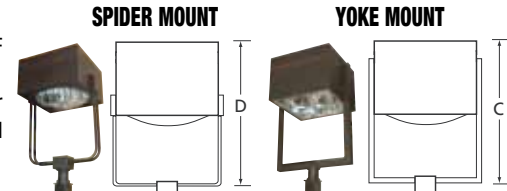
- Listed to UL1598 for use in wet locations
- IDA fixture seal of approval.



	A	B	C	EPA	Weight
<b>FLAT</b>	15"	21"	N/A	2.8 ft. <sup>2*</sup>	68 lbs
	381 mm	533 mm		0.35m <sup>2</sup>	30.6 kg
<b>CONVEX</b>	14 1/2"	21" sq.	12"	2.4 ft. <sup>2</sup>	63 lbs
	368 mm	533 mm	374 mm	0.2m <sup>2</sup>	28.6 kg

NOTE: EPA and weight values do not include mounting arm

\* With the 4" arm the EPA is 2.8ft.<sup>2</sup>.



	C	D	Flat	EPA	Weight
<b>SPIDER</b>	33 11/16"	36 1/2"	0.5 ft. <sup>2</sup>	9 lbs	
	856 mm	928 mm	0.15m <sup>2</sup>	4.1 kg	
<b>YOKE</b>	35 3/16"	33 11/16"	1.6 ft. <sup>2</sup>	11 lbs	
	894 mm	856 mm	0.49m <sup>2</sup>	5.0kg	

ORDERING EXAMPLE: MSV-A4-P1K-V5P-F-5-DB-RPA4

**ORDERING INFORMATION**

<b>MSV</b>	-	-	-	-	-	-	-	-	-
<b>SERIES</b>	<b>SOURCE/WATTAGE</b>	<b>LAMP ORIENT./DISTR.</b>	<b>LENS</b>	<b>COLOR</b>	<b>OPTIONS</b>				
MSV M-Pulsive	<b>METAL HALIDE</b> H1K 1000w (BT-37)	V1P Vert. I - segmented	F Flat glass	DB Dark Bronze (textured)	F(X) <sup>6</sup> Fusing (replace X with voltage: 1-120, 2-208, 3-240, 4-277, 5-480, 6-347)				
<b>MOUNT</b>	<b>SUPER METAL HALIDE</b> MS1K 1000w (BT-37)	V3P Vert. III - segmented	C <sup>8</sup> Convex glass	BL Black (textured)	PR(X) <sup>12</sup> Photo cell receptacle (replace X with voltage: 1-120, 2-208, 3-240, 4-277, 5-480, 6-347)				
A4 Arm mount (includes 4" rigid arm)	<b>PULSE START METAL HALIDE</b> P17 175w (ED-28)	V4 <sup>6</sup> Vert. IV - multi-piece		WH White (textured)	P(X) <sup>4,5</sup> Photo button (replace X with voltage: 1-120, 2-208, 3-240, 4-277, 6-347)				
A10 <sup>11</sup> Arm mount (includes 10" rigid arm)	P25 250w (ED28)	V5P Vert. V (square) - segmented		PS Platinum Silver (smooth)	RPA2 Round pole adapter (2 3/4 - 3 1/8")				
WB Wall bracket (arm not required or included)	P32 320w (ED28)	H3 <sup>2,12</sup> Horiz. III - hydroformed		RD Red (smooth) (premium color)	RPA3 Round pole adapter (3 1/4 - 3 3/4")				
WBA4 Wall bracket with 4" rigid arm	P35 350w (ED28)	H4 <sup>2</sup> Horiz. IV - multi-piece		FG Forest Green (textured, premium color)	RPA4 Round pole adapter (3 7/8 - 4 1/2")				
WBA10 Wall bracket with 10" rigid arm	P40 400w (ED-37)	H5 <sup>2,12</sup> Horiz. V (square) - hydroformed		CC Custom Color (consult factory)	RPA5 Round pole adapter (5")				
O No arm or wall bracket (only order without arm or wall bracket when they are ordered as an accessory)	P45 450w (BT-37)	H5P <sup>2</sup> Horiz. V (square) - segmented			RPA6 Round pole adapter (6")				
ST Spider mount (2 3/8" tenon)	P75 750w (BT-37)		<b>VOLTAGE</b>		QZ <sup>5</sup> Quartz RS with lamp				
YT Yoke mount (2 3/8" tenon)	P1K 1000w (BT-37)		1 <sup>10</sup> 120V	Q <sup>3</sup> Quad-Tap® 120/208/240/277V	VG Polycarbonate vandal guard				
	<b>HIGH PRESSURE SODIUM</b>		2 <sup>10</sup> 208V	5 480V	R(XX) <sup>7</sup> Reveal (EB option must be chosen also); Replace XX with color				
	S25 250w (ED-18)		3 <sup>10</sup> 240V	T <sup>3</sup> Tri-Tap® 120/277/347V	EB Embossed band				
	S40 400w (ED-18)		4 <sup>10</sup> 277V	E 50Hz 220/240V	L Lamp				
	S60 <sup>1</sup> 600w (T-14)		F <sup>10</sup> 347V	V <sup>3,9</sup> Five-Tap 120/208/240/277/480V					
	S75 <sup>1</sup> 750w (BT-37)			O No Ballast					
	S1K 1000w (ED-37)								

1 Must specify Q, 5, or T voltage. Available voltage tap on ballast may vary from catalog; **Must specify wiring prep with options**  
 2 Flat lens configurations only for horizontal lamp orientation  
 3 Factory wired for highest voltage unless specified  
 4 400w maximum  
 5 Not available with 50 Hz ballast, 600w and 750w HPS, and convex lens with 1000w HPS

6 Not available with convex lens and 1000w HPS or 1000w with yoke or spider mount  
 7 Reveal selection requires EB - embossed band option  
 8 Vertical lamp only  
 9 Only available with 400w, 350w, 320w, and 250w  
 10 Only available with 1000w PSMH, 600w HPS, and 750w HPS  
 11 Required for 90° configurations  
 12 Not available with 1000w yoke or spider mount

NOTE: All poles to be drilled with #2 pattern

## SPECIFICATIONS

**HOUSING** Die-formed rectilinear housing to have continuous corner welds creating a seamless one-piece enclosure. Housing material to be heavy gauge low copper aluminum alloy. Door assembly to recess completely within luminaire housing creating evenly spaced reveal and floating door appearance.

**DOOR/LENS** **FLAT LENS DESIGN:** Extruded aluminum doorframe for tempered flat glass lens design to have 45° miter cut corners with internal corner key brackets for rigid support. Finish to be anodized with natural aluminum color. Tool-free entry design provided by corrosion-resistant, spring-loaded die cast zinc thumb latches (one per corner). Extruded silicone gasket profile to positively seal tempered glass lens to doorframe and doorframe to luminaire housing ensuring a contaminant free environment. Complete removal of the door assembly is achievable without tools. **CONVEX LENS DESIGN:** Die formed aluminum doorframe with impact and thermal-shock resistant convex lens, vulcanized one-piece extruded silicone gasket, and tool-free entry with two Knurled head stainless steel screws. Two additional corrosion-resistant treated screws provide door hinging and two additional points of attachment for equal gasket compression. Matching TGIC thermoset polyester powder paint finish to match the luminaire housing color.

**MOUNTING** The luminaire housing shall attach to all mounting hardware via two 1/2" diameter bolts/rods. Mounting options to include rigid arm assemblies, knuckled arm assemblies for flat surfaces, knuckled arm assemblies for 2 3/8" OD tenon, wall bracket adapter, and round pole adapters ensuring maximum luminaire versatility. All mounting accessories should include gasket between the housing and accessory.

**OPTICS** The luminaire should be available in both vertical and horizontal lamp orientations. All optical assemblies are to be field rotatable in 90° increments. All flat glass configurations are to be IES – Full Cutoff classified. Internal house side shielding to be available with horizontal Type III distribution and field installable.

**ELECTRICAL** Available HID wattage range of 250 to 1000 watts from Metal Halide, Pulse Start Metal Halide, High Output Super Metal Halide, and High Pressure Sodium sources. Additional options include fusing, photocell cell control, and quartz restrike lamp.

**FINISH** TGIC thermoset polyester powder paint finish applied at nominal 2.5 mil thickness. Prior to painting all luminaires and mounting accessories should be thoroughly cleaned with acid and alkaline cleaners followed by the application of a chromate conversion coating.

**LISTINGS/CERTIFICATION** UL1598 approved and CSA certified for outdoor use in wet locations

## MSV EPA VALUES

Mounting Logic for Pole	Configuration	Flat Lens w/ 4" Arm	Flat Lens w/ 10" Arm	Convex Lens w/ 4" Arm	Convex Lens w/ 10" Arm
<b>A</b>	<b>SINGLE</b>	<b>2.8</b>	<b>3</b>	<b>2.5</b>	<b>2.7</b>
<b>B</b>	<b>TWIN AT 90°</b>	<b>5.2</b>	<b>5.3</b>	<b>4.6</b>	<b>4.7</b>
<b>C</b>	<b>TWIN AT 180°</b>	<b>5.6</b>	<b>6</b>	<b>5</b>	<b>5.4</b>
<b>D</b>	<b>TRIPLE AT 90°</b>	<b>8.4</b>	<b>8.6</b>	<b>7.3</b>	<b>7.5</b>
<b>E</b>	<b>TRIPLE AT 120°</b>	<b>8.2</b>	<b>8.4</b>	<b>7.1</b>	<b>7.3</b>
<b>F</b>	<b>QUAD AT 90°</b>	<b>8.6</b>	<b>8.8</b>	<b>7.5</b>	<b>7.7</b>

## ACCESSORIES

(Must be ordered separately. For field installation.)

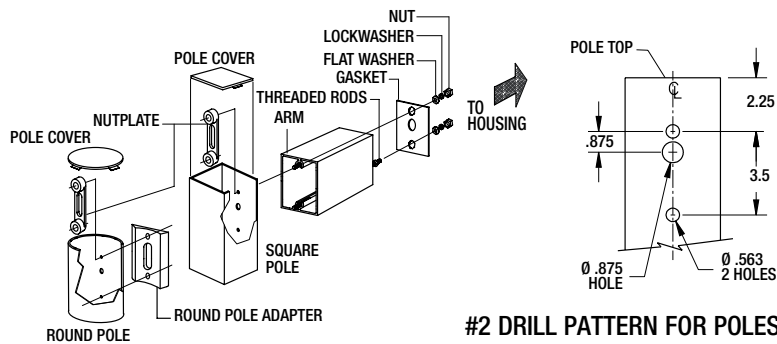
Catalog #	Description
<b>MSV-FGGS-2</b>	Extreme Glare Shield for flat glass units only (mounts to housing); restricts lighting to any one side of fixture; black finish standard
<b>MSV-GS</b>	Glare Shield for sag glass units only; restricts light to any one side of fixture, black finish standard
<b>MSV-PVG</b>	Polycarbonate Vandal Guard
<b>FDMLH</b>	Flush Mount Kit - direct mount luminaire hardware kit
<b>F-RPA2-XX<sup>1,2</sup></b>	Round Pole Adapter (2 3/4 - 3 1/8")
<b>F-RPA3-XX<sup>1,2</sup></b>	Round Pole Adapter (3 1/4 - 3 3/4")
<b>F-RPA4-XX<sup>1,2</sup></b>	Round Pole Adapter (3 7/8 - 4 1/2")
<b>F-RPA5-XX<sup>1,2</sup></b>	Round Pole Adapter (5")
<b>F-RPA6-XX<sup>1,2</sup></b>	Round Pole Adapter (6")
<b>WB-CR-XX<sup>1</sup></b>	Wall Bracket
<b>ARM-F-K-TA-XX<sup>1</sup></b>	Tenon Arm (single) adjustable (2 3/8" O.D. tenon)
<b>ARM-F-TK-TA-XX<sup>1</sup></b>	Tenon Arm (double 180°) adjustable (2 3/8" O.D. tenon)
<b>ARM-F-K-S-XX<sup>1,2</sup></b>	Adjustable Arm
<b>ARM-F-4-S-XX<sup>1,2</sup></b>	4" Rigid Straight Arm
<b>ARM-F-10-S-XX<sup>1,2</sup></b>	10" Rigid Straight Arm
<b>SSS-490-XX<sup>2</sup></b>	Square Pole Tenon Adapter (4 @ 90°) (2 3/8"-2 7/8" OD tenon)
<b>RSS-490-XX<sup>2</sup></b>	Round Pole Tenon Adapter (4 @ 90°) (2 3/8"-2 7/8" OD tenon) (requires 4" round pole adapter)
<b>RSS-3120-XX<sup>2</sup></b>	Round Pole Tenon Adapter (3 @ 120°) (2 3/8"-2 7/8" OD tenon) (requires 4" round pole adapter)

1 Replace **XX** with color choice, eg.: **DB** for Dark Bronze.

2 When ordering poles, specify Pole Drill Pattern #2.

## PHOTOCONTROL EQUIPMENT

CATALOG #	DESCRIPTION
<b>PTL-1</b>	Photocontrol - Twist-Lock Cell (120V)
<b>PTL-8</b>	Photocontrol - Twist-Lock Cell (120-277V)
<b>PTL-5</b>	Photocontrol - Twist-Lock Cell (480V)
<b>PTL-6</b>	Photocontrol - Twist-Lock Cell (347V)
<b>PSC</b>	Shorting Cap - Twist-Lock



#2 DRILL PATTERN FOR POLES

Due to our continued efforts to improve our products, product specifications are subject to change without notice.

**SPAULDING**  
LIGHTING

Spaulding Lighting • 701 Millennium Boulevard • Greenville, SC 29607 • PHONE: 864-678-1000

For more information visit our web site: [www.spauldinglighting.com](http://www.spauldinglighting.com)