

|        |      |           |
|--------|------|-----------|
| Cat. # |      | Approvals |
| Job    | Type |           |

### APPLICATIONS

- Provides superior lighting uniformity for parking areas, walkways, schools, and office parks

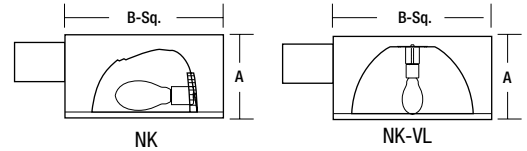
### SPECIFICATIONS

- Formed and welded aluminum housing
- Formed aluminum door with clear, flat tempered glass lens, fully gasketed to housing. Concealed hinge door secured with two captive screws
- Specular, anodized aluminum reflectors for horizontal lamp, provide Type II, III, IV, or V square light patterns, and for vertical lamp provide Type IV or V square light patterns. Horizontal Type II and Type III reflectors with NK2, and vertical Type V5 reflector with NK2 with vertical lamp feature unique, patented, micro-faceted designs. IESNA Full cutoff lighting classification achieved with flat lens

- Extruded aluminum arm required for pole mount. Cast aluminum wall bracket available
- Mogul porcelain socket, pulse rated, with spring-loaded, nickel-plated center contact and reinforced lamp grip screw shell. Medium base for ED-17 lamp
- HPF ballast, starting rated at -20°C (-40°F for HPS)
- 100W-150W is LAG type HPF Ballast
- 175W-400W is CWA type HPF Ballast
- Durable Lektrocote® TGIC thermoset polyester powder coat paint finish assures long life and maintenance-free service

### LISTINGS/CERTIFICATIONS

- Listed to UL1598 for use in wet locations
- IDA fixture seal of approval



|            | A      | B      | EPA                  | Weight  |
|------------|--------|--------|----------------------|---------|
| <b>NK1</b> | 8.0"   | 14"    | 0.9 ft. <sup>2</sup> | 33 lbs  |
|            | 203 mm | 356 mm | 0.1 m <sup>2</sup>   | 15 kg   |
| <b>NK2</b> | 10"    | 19"    | 1.7 ft. <sup>2</sup> | 49 lbs  |
|            | 254 mm | 483 mm | 0.2 m <sup>2</sup>   | 22.2 kg |

NOTE: EPA and weight values do not include mounting arm

## ORDERING INFORMATION

ORDERING EXAMPLE: NK1-A-P15-H3-F-Q-DB-L



### SERIES

- NK1** Newark 1 (100-175w - H3, H4, H5 or V5)
- NK2** Newark 2 (150-400w - H2, H3, H4, H5) or (150-200w - V4, V5)

### LAMP ORIENT./DISTR.

- H2<sup>3</sup>** Horiz. II NK2 only
- H3** Horiz. III
- H4** Horiz. IV
- H5** Horiz. V (square)
- V4<sup>3</sup>** Vert. IV NK2 only
- V5** Vert. V (square)

### LENS

- F** Flat

### VOLTAGE

- Q<sup>4</sup>** Quad-Tap® 120/208/240/277V
- 5<sup>5</sup>** 480V
- T<sup>4</sup>** Tri-Tap® 120/277/347V

### OPTIONS

- F(X)** Fusing (replace X with voltage: 1-120, 2-208, 3-240, 4-277, 5-480, 6-347)
- P(X)** Photo button (replace X with voltage: 1-120, 2-208, 3-240, 4-277, 6-347)
- PR(X)** Photo cell receptacle (replace X with voltage: 1-120, 2-208, 3-240, 4-277, 5-480, 6-347)
- QZ** Quartz restrike with lamp
- HS<sup>5</sup>** Internal house-side shield
- RP** Removable Power-Panel®
- VG<sup>5</sup>** Polycarbonate vandal guard
- L** Lamp

### MOUNT

- A** Arm mount (arm not included, order separately)

### SOURCE/WATTAGE

#### PULSE START METAL HALIDE

- P10** 100w (ED-17 Med base) NK1 only
- P12** 125w (ED-17 Med base) NK1 only
- P15<sup>1</sup>** 150w (ED-28 Mog base) NK1 only
- P17<sup>2</sup>** 175w (ED-17 Med base)
- P20<sup>8</sup>** 200w NK2 only
- P25<sup>6</sup>** 250w (ED-28 Mog base) NK2 only
- P32<sup>6</sup>** 320w (ED-28 Mog base) NK2 only
- P35<sup>6</sup>** 350w (ED-28 Mog base) NK2 only
- P40<sup>6</sup>** 400w (ED-28 Mog base) NK2 only

#### HIGH PRESSURE SODIUM

- S10<sup>1</sup>** 100w NK1 only
- S15<sup>1</sup>** 150w
- S25<sup>6</sup>** 250w (ED-18 Mog base) NK2 only
- S40<sup>6</sup>** 400w (ED-18 Mog base) NK2 only

### COLOR

- DB** Dark Bronze
- BL** Black
- WH** White
- GR** Gray
- PS** Platinum Silver
- RD** Red (premium color)
- FG** Forest Green (premium color)
- CC** Custom Color (consult factory)

### ARM LOGIC (order separately)

#### SERIES

- ARM** Rigid arm

#### LUMINAIRE SHAPE

- S** Square/ rectangular

#### ARM LENGTH

- 6** 6" Arm (EPA = 0.24 ft.<sup>2</sup>, 3.5 lbs) (0.02 m<sup>2</sup>, 1.5 kg)
- 10** 10" Arm (EPA = 0.4 ft.<sup>2</sup>, 5.0 lbs) (0.03 m<sup>2</sup>, 2.2 kg)

#### POLE SHAPE

#### #1 DRILL PATTERN

- S** Square
- R4** Round straight (4.5")
- R5** Round straight (5")
- R6** Round straight (6")

#### #2 DRILL PATTERN

- T2** Round tapered (2.5")
- T3** Round tapered (3")
- T35** Round tapered (3.5")
- T4** Round tapered & straight (4")

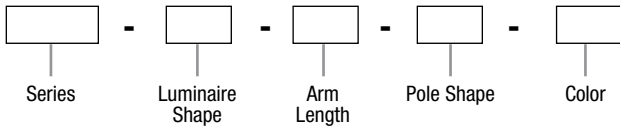
#### COLOR

- DB** Dark Bronze
- BL** Black
- WH** White
- GR** Gray
- PS** Platinum Silver
- RD** Red (premium color)
- FG** Forest Green (premium color)
- CC** Custom Color (consult factory)

1 ED-17 medium base in vertical position, ED-23.5 mogul base in horizontal position  
 2 Vertical orientation only  
 3 Available in NK2 only  
 4 Factory wired to highest voltage unless specified  
 5 Not available with 100w PSMH  
 6 Horizontal lamp only  
 7 Required for 90° configurations  
 8 ED-17 medium base in vertical position, T15 mogul base in horizontal position

# ORDERING INFORMATION

ORDERING EXAMPLE ARM: ARM-S-6-S-DB



## SERIES

**ARM** Rigid Arm

## LUMINAIRE SHAPE

**S** Square/Rectangular

## ARM LENGTH

**6** 6" Arm (EPA=0.24 ft<sup>2</sup>, 3.5 lbs)  
(0.02 m<sup>2</sup>, 1.5 kg)  
**10** 10" Arm (EPA=0.4 ft<sup>2</sup>, 5.0 lbs)  
(0.03 m<sup>2</sup>, 2.2 kg)<sup>1</sup>

## POLE SHAPE

**#1 DRILL PATTERN FOR POLE**  
**S** Square  
**R4** Round Straight (4.5")  
**R5** Round Straight (5")  
**R6** Round Straight (6")  
**#2 DRILL PATTERN FOR POLE**  
**T2** Round Tapered (2.5")  
**T3** Round Tapered (3")  
**T35** Round Tapered (3.5")  
**T4** Round Tapered & Straight (4")

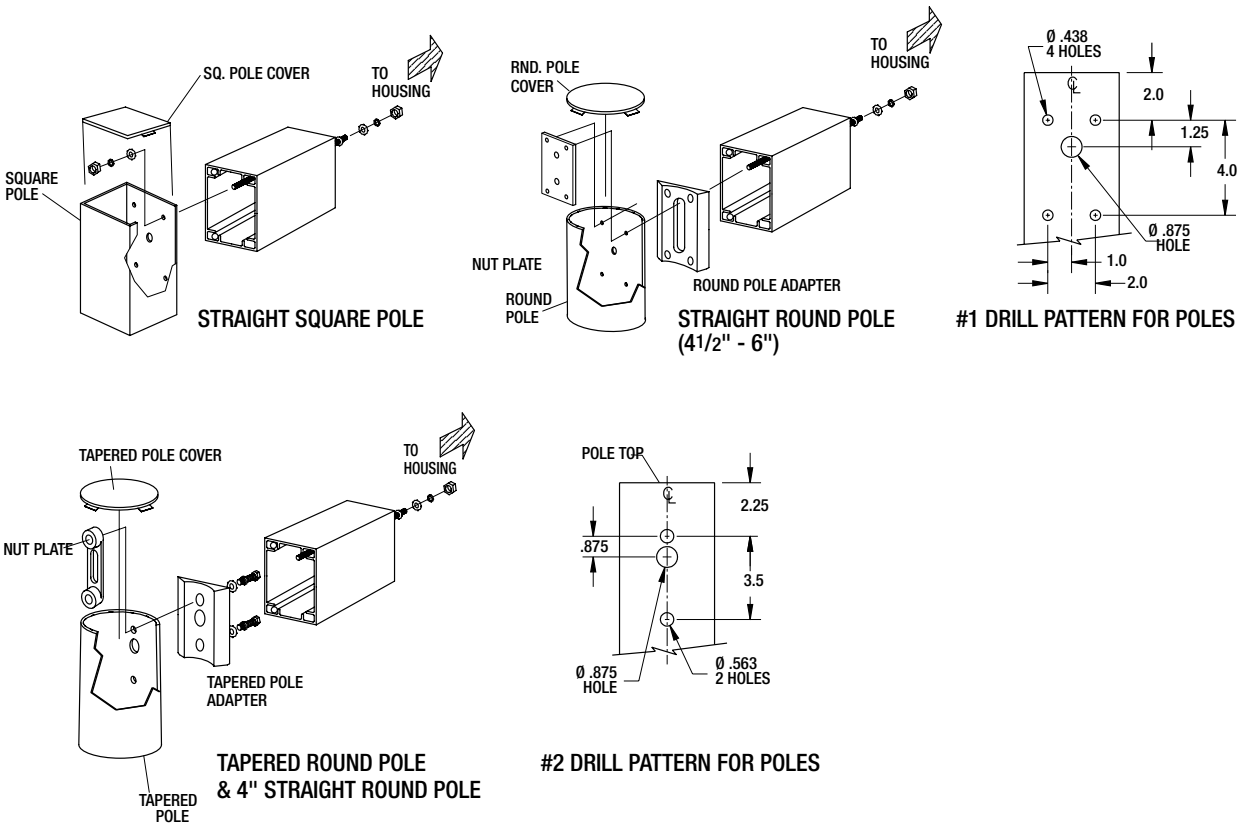
## COLOR

**DB** Dark Bronze  
**BL** Black  
**WH** White  
**GR** Gray  
**PS** Platinum Silver  
**RD** Red (premium color)  
**FG** Forest Green (premium color)  
**CC** Custom Color (consult factory)

<sup>1</sup> Required for 90° configurations

## WALL BRACKET

**WB-S-XX** Bracket only, arm not included nor required for fixture mounting  
Replace **XX** with color designation



Due to our continued efforts to improve our products, product specifications are subject to change without notice.



Spaulding Lighting • 701 Millennium Drive • Greenville, SC 29607 • PHONE: 864-678-1000  
For more information visit our web site: [www.spauldinglighting.com](http://www.spauldinglighting.com)

## ACCESSORIES

### POLE ADAPTERS

|                         |   |
|-------------------------|---|
| <b>RPA4-XX</b>          | Round pole adapter for<br>(4.5" round straight dia. pole)                           |
| <b>RPA5-XX</b>          | Round pole adapter for<br>(5 to 6" round straight dia. pole)                        |
| <b>RTPA2.5-XX</b>       | Round pole adapter for<br>(2-3/8" to 2-5/8" round tapered dia. pole)                |
| <b>RTPA3-XX</b>         | Round pole adapter for<br>(2-3/4" to 3-1/8" round tapered dia. pole)                |
| <b>RTPA3.5-XX</b>       | Round pole adapter for<br>(3-1/4" to 3-3/4" round tapered dia. pole)                |
| <b>RTPA4-XX</b>         | Round pole adapter for<br>(3-7/8" to 4" round tapered dia. pole)                    |
| <b>AASF</b>             | Tenon arm, (single) adjustable  |
| <b>AADM</b>             | Adjustable arm for flat surfaces  |
| <b>FEA-2-XX</b>         | Triangle steel adapt double @ 120 deg.  |
| <b>FEA-3-XX</b>         | Triangle steel adapt triple @ 120 deg.  |
| <b>2-SA-SGL-D-XX</b>    | Square steel adapt single   |
| <b>2-SA-D90-XX</b>      | Square steel adapt-double @ 90 deg.   |
| <b>2-SA-D180-XX</b>     | Square steel adapt-double @ 180 deg.  |
| <b>2-SA-TPL-D90-XX</b>  | Square steel adapt-triple @ 90 deg.   |
| <b>2-SA-QD-D-XX</b>     | Square steel adapt-quad @ 90 deg.   |
| <b>2-RA-SGL-D-XX</b>    | Round steel adapt-single  |
| <b>2-RA-D90-XX</b>      | Round steel adapt-double @ 90 deg.  |
| <b>2-RA-D180-XX</b>     | Round steel adapt-double @ 180 deg.   |
| <b>2-RA-TPL-D90-XX</b>  | Round steel adapt-triple @ 90 deg.  |
| <b>2-RA-TPL-D120-XX</b> | Round steel adapt-triple @ 120 deg.   |
| <b>2-RA-QD-D-XX</b>     | Round steel adapt-triple @ 90 deg.  |
| <b>MAF-XX</b>           | Horizontal mast arm fitter for<br>2-3/8" OD mast arm                                |
| <b>CBL-2-XX</b>         | Twin parallel luminaire bracket   |
| <b>8914556</b>          | NK1 Internal, house side sheild,<br>Type III, IV, V                                 |
| <b>93001585</b>         | NK2 Internal, house side sheild,<br>Type II, III, IV, V                             |
| <b>PTL-1</b>            | (must use PCR (X) option)<br>Photocontrol - Twistlock cell (120V)                   |
| <b>PTL-8</b>            | (must use PCR (X) option)<br>Photocontrol - Twistlock cell<br>(120, 208, 240, 277V) |
| <b>PTL-5</b>            | (must use PCR (X) option)<br>Photocontrol - Twistlock cell (480V)                   |
| <b>PTL-6</b>            | (must use PCR (X) option)<br>Photocontrol - Twistlock cell (347V)                   |
| <b>PSC</b>              | (must use PCR (X) option)<br>Shorting Cap - Twistlock                               |

Due to our continued efforts to improve our products, product specifications are subject to change without notice.



Spaulding Lighting • 701 Millennium Drive • Greenville, SC 29607 • PHONE: 864-678-1000

For more information visit our web site: [www.spauldinglighting.com](http://www.spauldinglighting.com)