

OAKLAND 3-LPS SERIES

Cat. #		Approvals
Job	Type	

SPAULDING
LIGHTING

APPLICATIONS

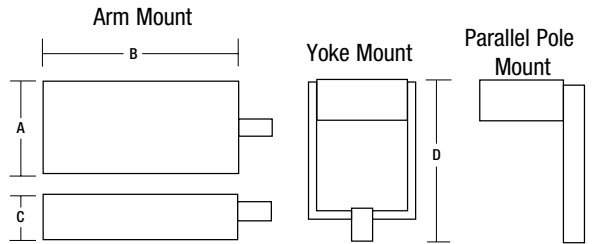
- Parking areas, office parks, schools, and walkways

SPECIFICATIONS

- Formed and welded aluminum housing with optional embossed decorative band and color vinyl trim stripe
- Extruded aluminum door with clear, flat polycarbonate lens, fully gasketed to housing. Concealed hinge secures door to housing and two spring-loaded latches allow tool-free access to lamp
- Specular, anodized aluminum reflectors provide Type IV or V light patterns. Type V reflector incorporates segmented side reflectors positioned parallel with lamp. Parallel mount luminaires available with Type IV only. Optical assembly secured with quarter-turn fasteners for access to ballast compartment
- Extruded aluminum arm required for pole mount. Yoke mount has two square arms attaching housing to square slipfitter for 2.375" OD tenon. Parallel pole mount luminaire flush mounts to pole. Parallel wall mount includes 1" deep mounting bracket
- Lamps and lamp support devices included. Enclosed sockets, with nickel-plated brass contacts for single-ended, bayonet base LPS lamps
- HR type ballast, HPF, starting rated at -20°F. Ballast components mounted on removable panel and provided with in-line disconnects
- Durable Lektrocote® TGIC thermoset polyester powder coat paint finish assures long life and maintenance-free service

LISTINGS/CERTIFICATIONS

- Listed to UL1598 for use in wet locations
- IDA fixture seal of approval
- IESNA full cutoff classified

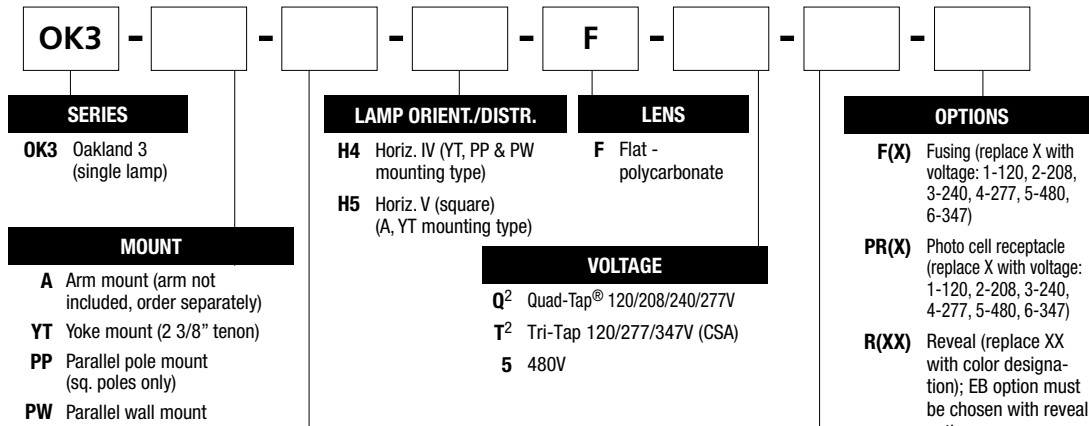


	A	B	C	D	EPA	Weight
L90	14.25" 362 mm	24.5" 622 mm	7.5" 191 mm	26.75" 679 mm	1.4 ft. ² 0.1 m ²	29 lbs 13.1 kg
L13	14.25" 362 mm	34.5" 876 mm	7.5" 191 mm	26.75" 679 mm	2.1 ft. ² 0.2 m ²	37 lbs 16.8 kg
L18	14.25" 362 mm	48.0" 1219 mm	7.5" 191 mm	26.75" 679 mm	3.0 ft. ² 0.3 m ²	40 lbs 18.1 kg

NOTE: EPA and weight values do not include mounting arm
NOTE: Yoke mounting adds 3.5 ft² EPA & approx. 11 lbs.

ORDERING INFORMATION

ORDERING EXAMPLE: OK3-YT-L18-H5-F-5-PS-F5



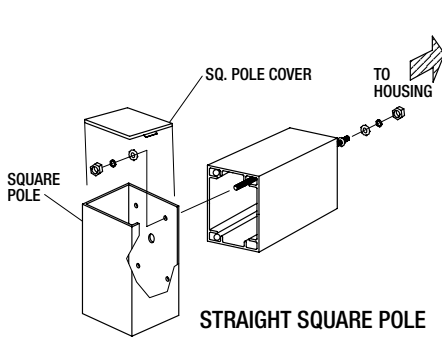
SOURCE/WATTAGE ¹	
LOW PRESSURE SODIUM	
L90	90w (T-21)
L13	135w (T-21)
L18	180w (T-21)

COLOR	
DB	Dark Bronze
BL	Black
WH	White
GR	Gray
PS	Platinum Silver
RD	Red (premium color)
FG	Forest Green (premium color)
CC	Custom Color (consult factory)

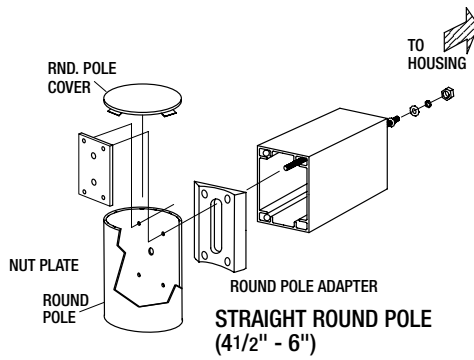
ARM LOGIC (order separately)

SERIES	
ARM	Rigid arm
LUMINAIRE SHAPE	
S	Square/ rectangular
ARM LENGTH	
6	6" Arm (EPA = 0.24 ft. ² , 3.5 lbs) (0.02 m ² , 1.5 kg)
10³	10" Arm (EPA = 0.4 ft. ² , 5 lbs) (0.03 m ² , 2.2 kg)
POLE SHAPE	
#1 DRILL PATTERN	
S	Square
R4	Round straight (4.5")
R5	Round straight (5")
R6	Round straight (6")
#2 DRILL PATTERN	
T2	Round tapered (2.5")
T3	Round tapered (3")
T35	Round tapered (3.5")
T4	Round tapered & straight (4")
COLOR	
DB	Dark Bronze
BL	Black
WH	White
GR	Gray
PS	Platinum Silver
RD	Red (premium color)
FG	Forest Green (premium color)
CC	Custom Color (consult factory)

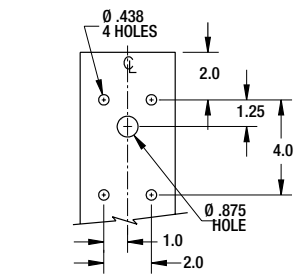
1 Lamp and support device included
2 Factory wired to highest voltage unless specified
3 Required for 90° configurations



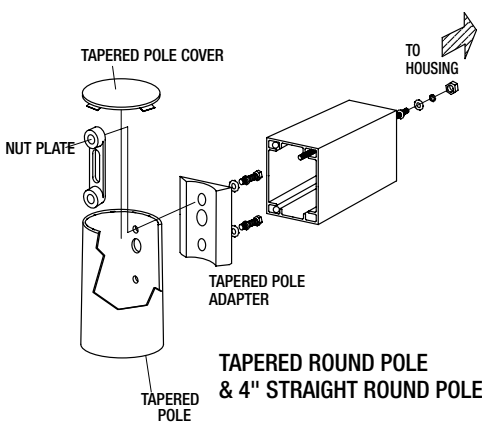
STRAIGHT SQUARE POLE



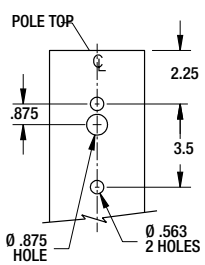
STRAIGHT ROUND POLE
(4 1/2" - 6")



#1 DRILL PATTERN FOR POLES



TAPERED ROUND POLE
& 4" STRAIGHT ROUND POLE



#2 DRILL PATTERN FOR POLES

ARM LOGIC

SERIES

ARM Rigid Arm

LUMINAIRE SHAPE

S Square/Rectangular

ARM LENGTH

6 6" Arm (EPA = 0.24 ft², 3.5 lbs) (0.02m², 1.5 kg)

10 10" Arm¹ (EPA = 0.4 ft², 5 lbs) (0.03m², 2.2 kg)

POLE SHAPE

#1 DRILL PATTERN

S Square

R4 Round Straight (4.5")

R5 Round Straight (5")

R6 Round Straight (6")

R7 Round Straight (5")

#2 DRILL PATTERN

T2 Round Tapered (2.5")

T3 Round Tapered (3")

T35 Round Tapered (3.5")

T4 Round Tapered (4")

COLOR

DB Dark Bronze

BL Black

WH White

GR Gray

PS Platinum Silver

RD Red (premium color)

FG Forest Green (premium color)

CC Custom Color (consult factory)

¹ Required for 90° configuration

ACCESSORIES

RPA4-XX	Round pole adapter for (4.5" round straight dia. pole)
RPA5-XX	Round pole adapter for (5 to 6" round straight dia. pole)
RTPA2.5-XX	Round pole adapter for (2-3/8" to 2-5/8" round tapered dia. pole)
RTPA3-XX	Round pole adapter for (2-3/4" to 3-1/8" round tapered dia. pole)
RTPA3.5-XX	Round pole adapter for (3-1/4" to 3-3/4" round tapered dia. pole)
RTPA4-XX	Round pole adapter for (3-7/8" to 4" round tapered dia. pole)
AASF	Tenon Arm (single), adjustable
AADM	Adjustable arm for flat surfaces
FEA-2-XX	Triangle steel adapt double @ 120 deg.
FEA-3-XX	Triangle steel adapt triple @ 120 deg.
2-SA-SGL-D-XX	Square steel adapt single
2-SA-D90-XX	Square steel adapt-double @ 90 deg.
2-SA-D180-XX	Square steel adapt-double @ 180 deg.
2-SA-TPL-D90-XX	Square steel adapt-triple @ 90 deg.
2-SA-QD-D-XX	Square steel adapt-quad @ 90 deg.
2-RA-SGL-D-XX	Round steel adapt-single
2-RA-D90-XX	Round steel adapt-double @ 90 deg.
2-RA-D180-XX	Round steel adapt-double @ 180 deg.
2-RA-TPL-D90-XX	Round steel adapt-triple @ 90 deg.
2-RA-TPL-D120-XX	Round steel adapt-triple @ 120 deg.
2-RA-QD-D-XX	Round steel adapt-triple @ 90 deg.
WB-S-XX	Wall Bracket.
MAF-XX	Horizontal mast arm fitter for 2-3/8" OD mast arm.
CBL-2-XX	Twin parallel luminaire bracket.
8914529	DL1 house side shield.
8914528	DL2 house side shield.
8914548	DL3 house side shield.
PTL-1	(must use PCR (X) option) Photocontrol - Twistlock cell (120V)
PTL-8	(must use PCR (X) option) Photocontrol - Twistlock cell (120, 208, 240, 277V)
PTL-5	(must use PCR (X) option) Photocontrol - Twistlock cell (480V)
PTL-6	(must use PCR (X) option) Photocontrol - Twistlock cell (347V)
PSC	(must use PCR (X) option) Shorting Cap - Twistlock

Due to our continued efforts to improve our products, product specifications are subject to change without notice.



Spaulding Lighting • 701 Millennium Drive • Greenville, SC 29607 • PHONE: 864-678-1000

For more information visit our web site: www.spauldinglighting.com