

ORLANDO DOME SERIES

Cat. #		Approvals
Job	Type	

SPAULDING LIGHTING

APPLICATIONS

- Offers design versatility for shopping centers, office parks, and large parking areas

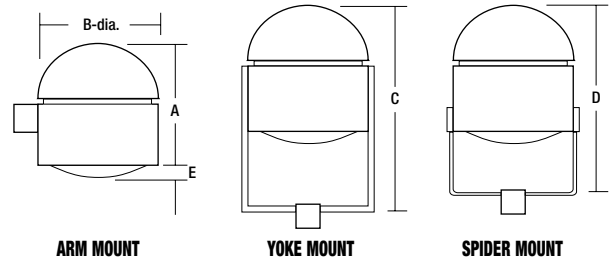
SPECIFICATIONS

- Rolled aluminum housing with spun cover, cylinder shape with dome top. Standard reveal accentuated with color vinyl trim strip
- Formed aluminum door with round, clear, convex tempered glass lens, fully gasketed to housing, secured with hinge and two captive screws. Optional flat glass lens available up to 750 watt on OR2 housing only
- Specular, anodized aluminum, segmented reflectors for vertical lamp, provide Type III, IV, V square, or V rectangular light patterns. IESNA Full cutoff lighting classification achieved with flat lens. V3 and V4 reflectors are field rotable

- Extruded aluminum arm required for pole mount. Spider mount has four twin-tube arms attaching housing to pole top fitter. Yoke mount has two square arms securing housing to pole top fitter
- Mogul porcelain socket, pulse rated, with spring-loaded, nickel-plated center contact and reinforced lamp grip screw shell
- CWA type ballast, HPF, starting rated at -20°F (-40°F for HPS)
- Durable Lektrocote® TGIC thermoset polyester powder coat paint finish assures long life and maintenance-free service

LISTINGS/CERTIFICATIONS

- Listed to UL1598 for use in wet locations
- IDA fixture seal of approval.



	A	B	C	D	E	EPA (arm)	Weight (arm)
OD1	18.0"	19.25"	38"	30"	2.25"	1.3 ft. ²	62 lbs
CONVEX	457 mm	489 mm	965 mm	762 mm	57 mm	0.1 m ²	28.1 kg
OD2	23.75"	25"	48.75"	38.75"	-	1.3 ft. ²	81 lbs
FLAT	603 mm	635 mm	1238 mm	984 mm	-	0.2 m ²	36.7 kg
OD2	23.75"	25"	48.75"	38.75"	4"	1.8 ft. ²	83 lbs
CONVEX	603 mm	635 mm	1238 mm	984 mm	102 mm	0.2 m ²	37.6 kg

NOTE: EPA and weight values do not include mounting arm
NOTE: Yoke and Spider mounts add: OD2 - 1.9 ft.² EPA, OD1 - 1.3 ft.² EPA

ORDERING INFORMATION

ORDERING EXAMPLE: OD1-A-P40-V5-C-Q-WH-RDB

[] - [] - [] - [] - [] - [] - [] - []	[] - [] - [] - [] - [] - [] - [] - []	[] - [] - [] - [] - [] - [] - [] - []	[] - [] - [] - [] - [] - [] - [] - []	[] - [] - [] - [] - [] - [] - [] - []	[] - [] - [] - [] - [] - [] - [] - []	[] - [] - [] - [] - [] - [] - [] - []	[] - [] - [] - [] - [] - [] - [] - []
SERIES	LAMP ORIENT./DISTR.	LENS	VOLTAGE	OPTIONS	COLOR	MOUNT	SOURCE/WATTAGE
OD1 Orlando Dome 1 (250-400w) OD2 Orlando Dome 2 (400-1000w)	V3 Vert. III V4 Vert. IV V5¹ Vert. V (square) VT² Vert. V (rectangle) OD2 only	F⁴ Flat OD2 only C Convex	Q³ Quad-Tap® 120/208/240/277V 5 480V T³ Tri-Tap® 120/277/347V (CSA)	F(X) Fusing (replace X with voltage: 1-120, 2-208, 3-240, 4-277, 5-480, 6-347) QZ Quartz restrike with lamp R(XX) Reveal (EB option must be chosen also; replace XX with color) L Lamp	DB Dark Bronze BL Black WH White GR Gray PS Platinum Silver RD Red (premium color) FG Forest Green (premium color) CC Custom Color (consult factory)	A Arm mount (arm not included, order separately) S4R Spider mount - pad (4.5" round pole) OD1 only S5R Spider mount - pad (5" round pole) S6R Spider mount - pad (6" round pole) OD2 only ST Spider mount (2.375" tenon) Y4R Yoke mount - pad (4.5" round pole) OD1 only Y5R Yoke mount - pad (5" round pole) Y6R Yoke mount - pad (6" round pole) YT Yoke mount (2.375" tenon)	METAL HALIDE H1K 1000w (BT-56) OD2 only PULSE START METAL HALIDE P25 250w (ED-28) OD1 only P32 320w (ED-37 with convex lens) OD1 only P32 320w (ED-28 with flat lens) OD1 only P35 350w (ED-37 with convex lens) OD1 only P35 350w (ED-28 with flat lens) OD1 only P40 400w (ED-37 with convex lens) P40¹ 400w (ED-28 with flat lens) P45 450w (ED-37) OD2 only P75 750w (BT-37) OD2 only P1K 1000w (BT-37) OD2 only HIGH PRESSURE SODIUM S25 250w (ED-18) OD1 only S40 400w (ED-18) OD1 only S1K 1000w (E-25) OD2 only

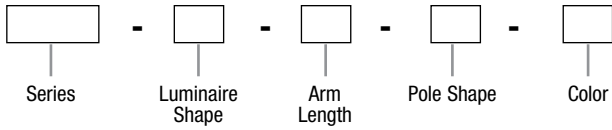
1 ED-37 lamp required with flat lens
2 OD2 with convex lens only
3 Factory wired for highest voltage unless specified
4 OD2 only; 750w max
5 Required for 90° configurations OK1; OD2 requires 12" arm
6 Not for OD2
Note: Reveal will match paint color when none indicated

ARM LOGIC (order separately)

SERIES	ARM Rigid arm
LUMINAIRE SHAPE	R Round
ARM LENGTH	6⁶ 6" arm (EPA = 0.24 ft. ² , 3.5 lbs) (0.02 m ² , 1.5 kg) 10⁵ 10" Arm (EPA = 0.4 ft. ² , 5.0 lbs) (0.03 m ² , 2.2 kg) 12⁵ 12 1/2" Arm (EPA = 0.5ft. ² , 6 lbs) (0.04 m ² , 2.7 kg)
POLE SHAPE	#1 DRILL PATTERN S Square R4 Round straight (4.5") R5 Round straight (5") R6 Round straight (6") #2 DRILL PATTERN T2 Round tapered (2.5") T3 Round tapered (3") T35 Round tapered (3.5") T4 Round tapered & straight (4")
COLOR	DB Dark Bronze BL Black WH White GR Gray PS Platinum Silver RD Red (premium color) FG Forest Green (premium color) CC Custom Color (consult factory)

ORDERING INFORMATION

ORDERING EXAMPLE ARM: AMR-R-6-S-DB



SERIES

ARM Rigid Arm

LUMINAIRE SHAPE

R Round

ARM LENGTH

6 6" Arm¹ (EPA=0.24 ft², 3.5 lbs)
(0.02 m², 1.5 kg)

10 10" Arm² (EPA=0.4 ft², 5.0 lbs)
(0.03 m², 2.2 kg)

12 12.5" Arm² (EPA=0.5 ft², 6.0 lbs)
(0.04 m², 2.7 kg)

POLE SHAPE

#1 DRILL PATTERN FOR POLE

S Square

R4 Round Straight (4.5")

R5 Round Straight (5")

R6 Round Straight (6")

#2 DRILL PATTERN FOR POLE

T2 Round Tapered (2.5")

T3 Round Tapered (3")

T35 Round Tapered (3.5")

T4 Round Tapered & Straight (4")

COLOR

DB Dark Bronze

BL Black

WH White

GR Gray

PS Platinum Silver

RD Red (premium color)

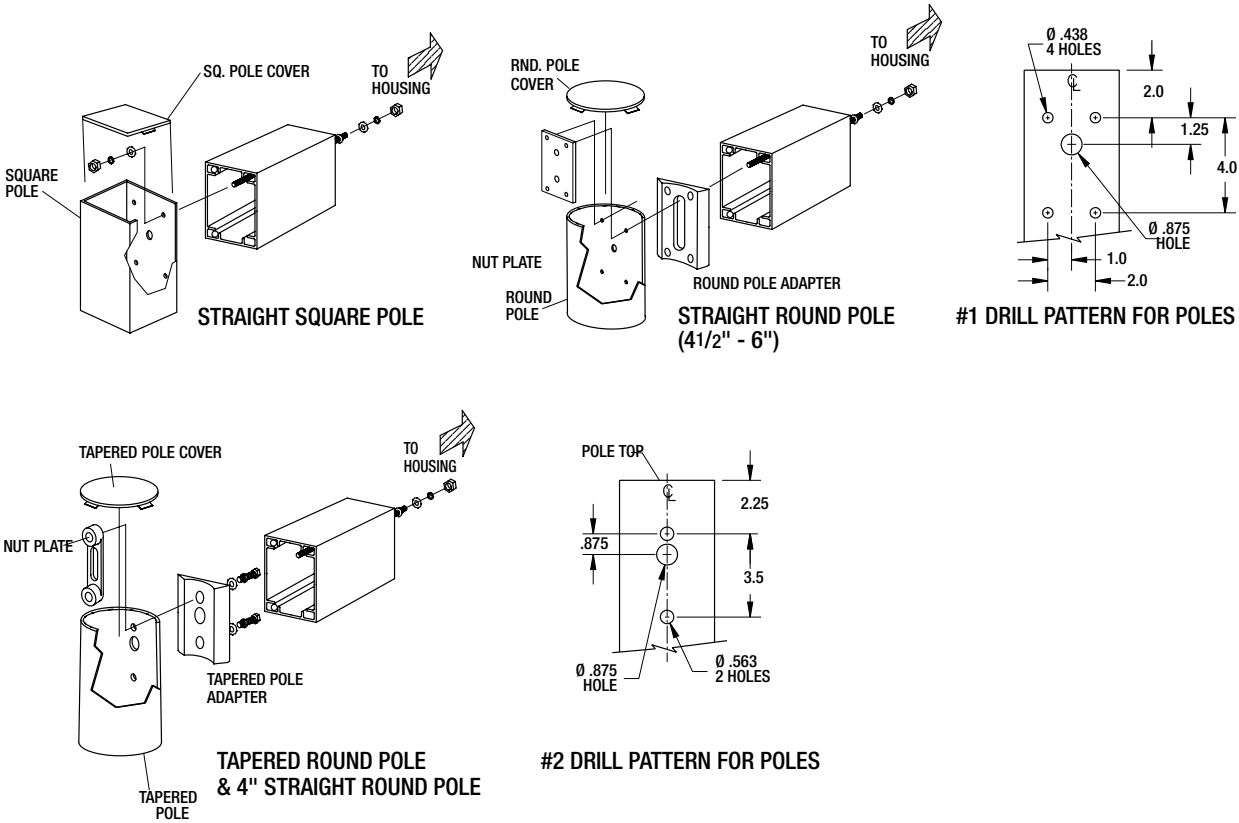
FG Forest Green (premium color)

CC Custom Color (consult factory)

1 Not for OD2
2 Required for 90° configurations.

WALL BRACKET

WB-R-XX Bracket and 6" arm included
Replace **XX** with color designation



Due to our continued efforts to improve our products, product specifications are subject to change without notice.



Spaulding Lighting • 701 Millennium Drive • Greenville, SC 29607 • PHONE: 864-678-1000
For more information visit our web site: www.spauldinglighting.com

ACCESSORIES

POLE ADAPTERS

RPA4-XX	Round pole adapter for (4.5" round straight dia. pole)
RPA5-XX	Round pole adapter for (5 to 6" round straight dia. pole)
RTPA2.5-XX	Round pole adapter for (2-3/8" to 2-5/8" round tapered dia. pole)
RTPA3-XX	Round pole adapter for (2-3/4" to 3-1/8" round tapered dia. pole)
RTPA3.5-XX	Round pole adapter for (3-1/4" to 3-3/4" round tapered dia. pole)
RTPA4-XX	Round pole adapter for (3-7/8" to 4" round tapered dia. pole)
FEA-2-XX	Triangle steel adapt double @ 120 deg.
FEA-3-XX	Triangle steel adapt triple @ 120 deg.
2-SA-SGL-D-XX	Square steel adapt single
2-SA-D90-XX	Square steel adapt-double @ 90 deg.
2-SA-D180-XX	Square steel adapt-double @ 180 deg.
2-SA-TPL-D90-XX	Square steel adapt-triple @ 90 deg.
2-SA-QD-D-XX	Square steel adapt-quad @ 90 deg.
2-RA-SGL-D-XX	Round steel adapt-single
2-RA-D90-XX	Round steel adapt-double @ 90 deg.
2-RA-D180-XX	Round steel adapt-double @ 180 deg.
2-RA-TPL-D90-XX	Round steel adapt-triple @ 90 deg.
2-RA-TPL-D120-XX	Round steel adapt-triple @ 120 deg.
2-RA-QD-D-XX	Round steel adapt-triple @ 90 deg.
CBL-2-XX	Twin parallel luminaire bracket.
PTL-1	(must use PCR (X) option) Photocontrol - Twistlock cell (120V)
PTL-8	(must use PCR (X) option) Photocontrol - Twistlock cell (120, 208, 240, 277V)
PTL-5	(must use PCR (X) option) Photocontrol - Twistlock cell (480V)
PTL-6	(must use PCR (X) option) Photocontrol - Twistlock cell (347V)
PSC	(must use PCR (X) option) Shorting Cap - Twistlock

Due to our continued efforts to improve our products, product specifications are subject to change without notice.



Spaulding Lighting • 701 Millennium Drive • Greenville, SC 29607 • PHONE: 864-678-1000
For more information visit our web site: www.spauldinglighting.com