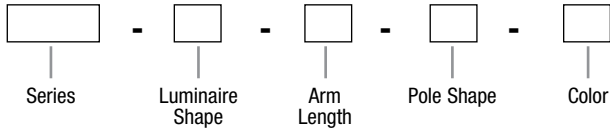


ORDERING INFORMATION

ORDERING EXAMPLE ARM: ARM-R-6-S-DB



SERIES

ARM Rigid Arm

LUMINAIRE SHAPE

R Round

ARM LENGTH

6 6" Arm² (EPA=0.24 ft², 3.5 lbs)
(0.02 m², 1.5 kg)

10 10" Arm² (EPA=0.4 ft², 5.0 lbs)
(0.03 m², 2.2 kg)

12 12.5" Arm² (EPA=0.5 ft², 6.0 lbs)
(0.04 m², 2.7 kg)

POLE SHAPE

#1 DRILL PATTERN FOR POLE

S Square

R4 Round Straight (4.5")

R5 Round Straight (5")

R6 Round Straight (6")

#2 DRILL PATTERN FOR POLE

T2 Round Tapered (2.5")

T3 Round Tapered (3")

T35 Round Tapered (3.5")

T4 Round Tapered & Straight (4")

COLOR

DB Dark Bronze

BL Black

WH White

GR Gray

PS Platinum Silver

RD Red (premium color)

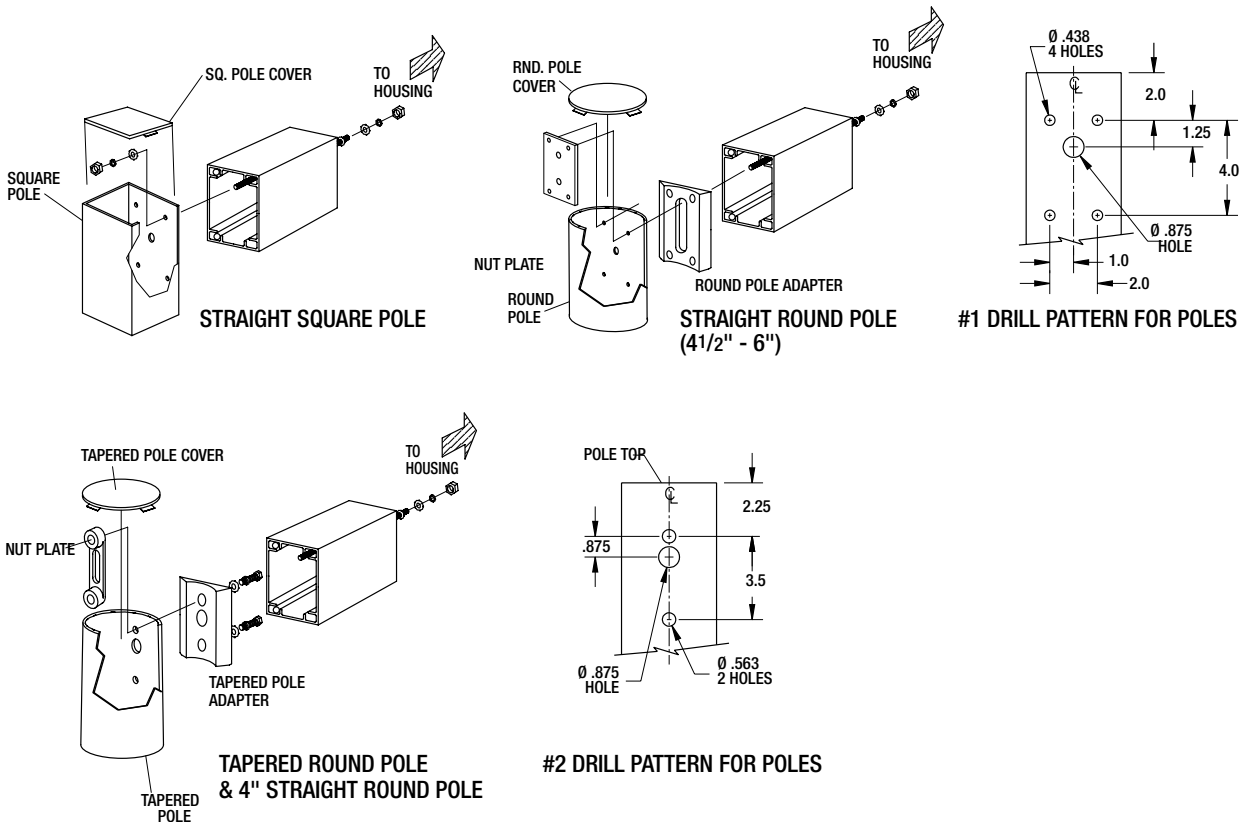
FG Forest Green (premium color)

CC Custom Color (consult factory)

- 1 Not for OR2
- 2 Required for 90° configurations.

WALL BRACKET

WB-R-XX Bracket and 6" arm included
Replace **XX** with color designation



Due to our continued efforts to improve our products, product specifications are subject to change without notice.



Spaulding Lighting • 701 Millennium Drive • Greenville, SC 29607 • PHONE: 864-678-1000
For more information visit our web site: www.spauldinglighting.com

ACCESSORIES

POLE ADAPTERS

RPA4-XX	Round pole adapter for (4.5" round straight dia. pole)
RPA5-XX	Round pole adapter for (5 to 6" round straight dia. pole)
RTPA2.5-XX	Round pole adapter for (2-3/8" to 2-5/8" round tapered dia. pole)
RTPA3-XX	Round pole adapter for (2-3/4" to 3-1/8" round tapered dia. pole)
RTPA3.5-XX	Round pole adapter for (3-1/4" to 3-3/4" round tapered dia. pole)
RTPA4-XX	Round pole adapter for (3-7/8" to 4" round tapered dia. pole)
FEA-2-XX	Triangle steel adapt double @ 120 deg.
FEA-3-XX	Triangle steel adapt triple @ 120 deg.
2-SA-SGL-D-XX	Square steel adapt single
2-SA-D90-XX	Square steel adapt-double @ 90 deg.
2-SA-D180-XX	Square steel adapt-double @ 180 deg.
2-SA-TPL-D90-XX	Square steel adapt-triple @ 90 deg.
2-SA-QD-D-XX	Square steel adapt-quad @ 90 deg.
2-RA-SGL-D-XX	Round steel adapt-single
2-RA-D90-XX	Round steel adapt-double @ 90 deg.
2-RA-D180-XX	Round steel adapt-double @ 180 deg.
2-RA-TPL-D90-XX	Round steel adapt-triple @ 90 deg.
2-RA-TPL-D120-XX	Round steel adapt-triple @ 120 deg.
2-RA-QD-D-XX	Round steel adapt-triple @ 90 deg.
CBL-2-XX	Twin parallel luminaire bracket.
PTL-1	(must use PCR (X) option) Photocontrol - Twistlock cell (120V)
PTL-8	(must use PCR (X) option) Photocontrol - Twistlock cell (120, 208, 240, 277V)
PTL-5	(must use PCR (X) option) Photocontrol - Twistlock cell (480V)
PTL-6	(must use PCR (X) option) Photocontrol - Twistlock cell (347V)
PSC	(must use PCR (X) option) Shorting Cap - Twistlock

Due to our continued efforts to improve our products, product specifications are subject to change without notice.



Spaulding Lighting • 701 Millennium Drive • Greenville, SC 29607 • PHONE: 864-678-1000
For more information visit our web site: www.spauldinglighting.com