

SANTA FE SERIES

Cat. #		Approvals
Job	Type	

SPAULDING LIGHTING

APPLICATIONS

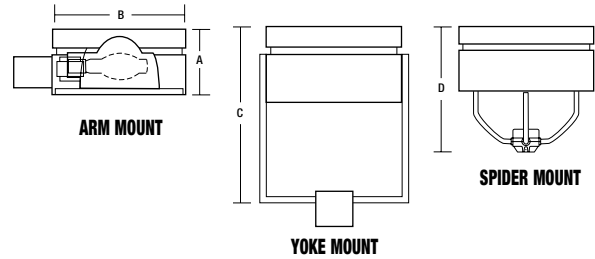
- Ideal for walkways, schools, office parking areas, and auto dealerships

SPECIFICATIONS

- Square, formed, two-piece aluminum housing. Standard reveal accentuated with color vinyl trim stripe
- Extruded aluminum door with clear, flat tempered glass lens, fully gasketed to housing. Tool-free access to lamp provided with four spring-loaded latch/hinges
- Specular, anodized aluminum reflectors for horizontal lamp, provide Type II, III, IV, or V square light patterns. SF1 and SF2, Type II and Type III reflectors feature unique, micro-faceted design. Segmented Type III reflector with Santa Fe large (SF3). Tool-less fasteners allow access to ballast. IESNA full cutoff lighting classification achieved with flat lens
- Extruded aluminum arm required for pole mount. Spider mount has four tubular arms attaching housing to pole top fitter. Yoke mount has two square aluminum arms securing housing to pole top fitter. Cast aluminum wall bracket available
- Mogul porcelain socket, pulse rated, with spring-loaded, nickel-plated center contact and reinforced lamp grip screw shell. Medium base for ED-17 lamp.
- CWA type ballast, HPF, starting rated at -20°F (-40°F for HP5)
- Durable Lektrocote® TGIC thermoset polyester powder coat paint finish assures long life and maintenance-free service

LISTINGS/CERTIFICATIONS

- Listed to UL1598 for use in wet locations
- IDA fixture seal of approval



	A	B	C	D	EPA	Weight
SF1	9.0" 229 mm	17.0" 432 mm	28.3" 719 mm	21.9" 556 mm	1.3 ft. ² 0.1 m ²	23 lbs 10.4 kg
SF2	10.0" 254 mm	21.0" 533 mm	33.75" 857 mm	22.4" 568 mm	1.9 ft. ² 0.2 m ²	40 lbs 18.1 kg
SF3	14.0" 356 mm	24.0" 610 mm	41.3" 1049 mm	27.75" 705 mm	2.9 ft. ² 0.3 m ²	84 lbs 29 kg

NOTE: EPA and weight values do not include mounting arm
 NOTE: Spider mount adds: SF3 - 0.4 ft.² EPA (2 lbs.), SF2 - 0.3 ft.² EPA (3 lbs.), SF1 - 0.1 ft.² EPA (2 lbs.)
 YOKE mount adds: SF3 - 1.9 ft.² EPA (11 lbs.), SF2 - 1.6 ft.² EPA (9 lbs.), SF1 - 1.0 ft.² EPA (6 lbs.)

ORDERING INFORMATION

ORDERING EXAMPLE: SF2-A-P40-H3-F-Q-DB-F4

[] - [] - [] - [] - F - [] - [] - []			
SERIES	LAMP ORIENT./DISTR.	LENS	OPTIONS
SF1 Santa Fe 1 (100-250w) SF2 Santa Fe 2 (200-400w) SF3 Santa Fe 3 (1000w)	H2 Horiz. II SF1, SF2 only H3 Horiz. III H4 Horiz. IV H5 Horiz. V (square)	F Flat VOLTAGE Q¹ Quad-Tap® 120/208/240/277V 5 480V T¹ Tri-Tap® 120/277/347V	F(X) Fusing (replace X with voltage: 1-120, 2-208, 3-240, 4-277, 5-480, 6-347) P(X) Photo button (replace X with voltage: 1-120, 2-208, 3-240, 4-277, 6-347) PR(X) Photo cell receptacle (replace X with voltage: 1-120, 2-208, 3-240, 4-277, 5-480, 6-347) QZ Quartz restrrike with lamp HS Internal house-side Shield VG Polycarbonate vandal guard R(XX)³ Reveal (replace XX with color) L Lamp
MOUNT	SOURCE/WATTAGE	COLOR	
A Arm mount (arm not included, order separately) S5 Spider mount - internal Slipfitter (5" sq. pole) SF3 only S6 Spider mount - internal slipfitter (6" sq. pole) SF3 only ST Spider mount (2.375" tenon) Y5S Yoke mount - pad (5" sq. steel pole) Y5A Yoke mount - pad (5" sq. alum. pole) Y6S Yoke mount - pad (6" sq. steel pole) SF1, SF3 only Y6A Yoke mount - pad (6" sq. alum. pole) SF1, SF3 only YT Yoke mount (2.375" tenon)	METAL HALIDE H1K 1000w (BT-56) SF3 only SUPER METAL HALIDE MS1K 1000w (BT-56) SF3 only PULSE START METAL HALIDE P10 100w (ED-17) SF1 only P12 125w (ED-17) SF1 only P15 150w (ED-28) SF1 only P20 200w (T-15) SF2 only P25 250w (ED-28) SF2 only P32 320w (ED-28) SF2 only P35 350w (ED-28) SF2 only P40 400w (ED-28) SF2 only HIGH PRESSURE SODIUM S15 150w (ED-23.5) SF1 only S25 250w (ED-18) SF2 only S40 400w (ED-18) SF2 only S1K 1000w (E-25) SF3 only	DB Dark Bronze BL Black WH White GR Gray PS Platinum Silver RD Red (premium color) FG Forest Green (premium color) CC Custom Color (consult factory)	

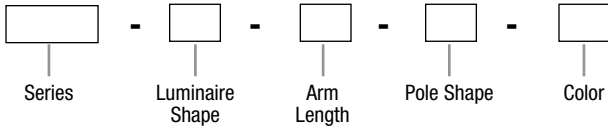
ARM LOGIC (order separately)

SERIES	ARM Rigid arm
LUMINAIRE SHAPE	S Square/ rectangular
ARM LENGTH	6 6" Arm (EPA = 0.24 ft. ² , 3.5 lbs) (0.02 m ² , 1.5 kg) 10² 10" Arm (EPA = 0.4 ft. ² , 5.0 lbs) (0.03 m ² , 2.2 kg)
POLE SHAPE	#1 DRILL PATTERN S Square R4 Round straight (4.5") R5 Round straight (5") R6 Round straight (6") #2 DRILL PATTERN T2 Round tapered (2.5") T3 Round tapered (3") T35 Round tapered (3.5") T4 Round tapered & straight (4")
COLOR	DB Dark Bronze BL Black WH White GR Gray PS Platinum Silver RD Red (premium color) FG Forest Green (premium color) CC Custom Color (consult factory)

1 Factory wired for highest voltage unless specified
 2 Required for 90° configurations
 3 Reveal will match paint color when none indicated

ORDERING INFORMATION

ORDERING EXAMPLE ARM: ARM-S-6-S-DB



SERIES

ARM Rigid Arm

LUMINAIRE SHAPE

S Square/Rectangular

ARM LENGTH

6 6" Arm (EPA=0.24 ft², 3.5 lbs) (0.02 m², 1.5 kg)

10 10" Arm¹ (EPA=0.4 ft², 5.0 lbs) (0.03 m², 2.2 kg)

POLE SHAPE

#1 DRILL PATTERN FOR POLE

S Square

R4 Round Straight (4.5")

R5 Round Straight (5")

R6 Round Straight (6")

#2 DRILL PATTERN FOR POLE

T2 Round Tapered (2.5")

T3 Round Tapered (3")

T35 Round Tapered (3.5")

T4 Round Tapered & Straight (4")

COLOR

DB Dark Bronze

BL Black

WH White

GR Gray

PS Platinum Silver

RD Red (premium color)

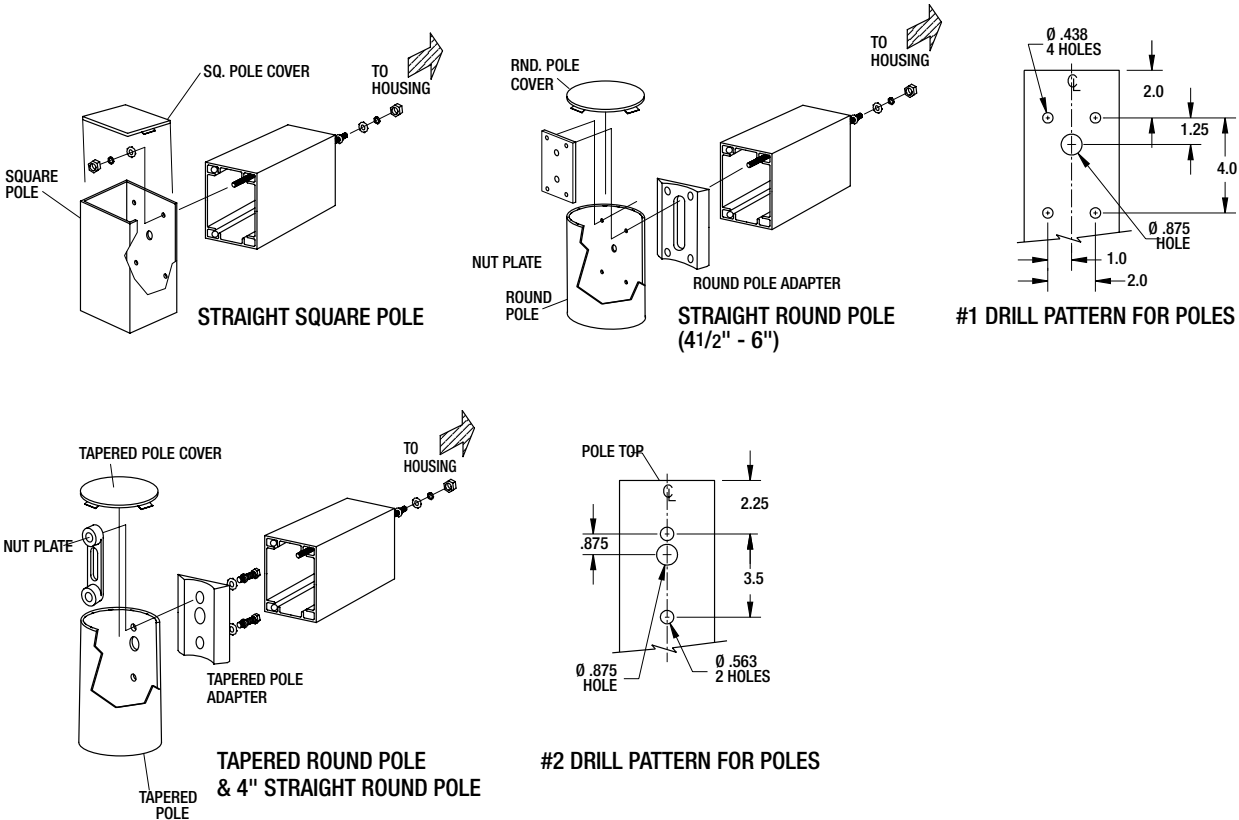
FG Forest Green (premium color)

CC Custom Color (consult factory)

¹ Required for 90° configurations.

WALL BRACKET

WB-S-XX Bracket only, arm not included nor required for fixture mounting
Replace **XX** with color designation



Due to our continued efforts to improve our products, product specifications are subject to change without notice.



Spaulding Lighting • 701 Millennium Drive • Greenville, SC 29607 • PHONE: 864-678-1000
For more information visit our web site: www.spauldinglighting.com

ACCESSORIES

POLE ADAPTERS

RPA4-XX	Round pole adapter for (4.5" round straight dia. pole)
RPA5-XX	Round pole adapter for (5 to 6" round straight dia. pole)
RTPA2.5-XX	Round pole adapter for (2-3/8" to 2-5/8" round tapered dia. pole)
RTPA3-XX	Round pole adapter for (2-3/4" to 3-1/8" round tapered dia. pole)
RTPA3.5-XX	Round pole adapter for (3-1/4" to 3-3/4" round tapered dia. pole)
RTPA4-XX	Round pole adapter for (3-7/8" to 4" round tapered dia. pole)
FEA-2-XX	Triangle steel adapt double @ 120 deg.
FEA-3-XX	Triangle steel adapt triple @ 120 deg.
2-SA-SGL-D-XX	Square steel adapt single
2-SA-D90-XX	Square steel adapt-double @ 90 deg.
2-SA-D180-XX	Square steel adapt-double @ 180 deg.
2-SA-TPL-D90-XX	Square steel adapt-triple @ 90 deg.
2-SA-QD-D-XX	Square steel adapt-quad @ 90 deg.
2-RA-SGL-D-XX	Round steel adapt-single
2-RA-D90-XX	Round steel adapt-double @ 90 deg.
2-RA-D180-XX	Round steel adapt-double @ 180 deg.
2-RA-TPL-D90-XX	Round steel adapt-triple @ 90 deg.
2-RA-TPL-D120-XX	Round steel adapt-triple @ 120 deg.
2-RA-QD-D-XX	Round steel adapt-triple @ 90 deg.
AASF	Tenon Arm (single), adjustable
AADM	Adjustable arm for flat surfaces
WB-R-XX	Wall Bracket.
MAF-XX	Horizontal mast arm fitter for 2-3/8" OD mast arm.
CBL-2-XX	Twin parallel luminaire bracket.
8914515	SF1 Internal house side shield, Type II, III, IV, V
8914516	SF2 Internal house side shield, Type II, III, IV, V
8914517	SF3 Internal house side shield, Type III, IV, V
PTL-1	(must use PCR (X) option) Photocontrol - Twistlock cell (120V)
PTL-8	(must use PCR (X) option) Photocontrol - Twistlock cell (120, 208, 240, 277V)
PTL-5	(must use PCR (X) option) Photocontrol - Twistlock cell (480V)
PTL-6	(must use PCR (X) option) Photocontrol - Twistlock cell (347V)
PSC	(must use PCR (X) option) Shorting Cap - Twistlock

Due to our continued efforts to improve our products, product specifications are subject to change without notice.



Spaulding Lighting • 701 Millennium Drive • Greenville, SC 29607 • PHONE: 864-678-1000
For more information visit our web site: www.spauldinglighting.com