



Cat. #		Approvals
Job	Type	

INTENDED USE:

- Tempe series bollards are designed to illuminate walkways and courtyards

CONSTRUCTION:

- Extruded aluminum square or round housing, with tamper resistant hardware; Single screw access for top relamping Decorative Southwest series cast top with single access screw for maintenance
- Sealed one-piece, clear acrylic lens; Specular, anodized aluminum optical systems; dual reflector, tube optics, or internal louvers (HID or CFL)
- Concealed, galvanized steel anchor base; Four 1/2" x 10" anchor bolts
- Durable Lektrocote® TGIC thermoset polyester powder coat paint finish assures long life and maintenance-free service

ELECTRICAL:

HID

- HPF ballast, starting rated at -20°F (-40°F for HPS); Pulse Start Metal Halide is CWA or Super CWA type HPS is CWA, HR, or Reactor type
- Medium porcelain socket, pulse rated, with spring-loaded, nickel-plated center contact and reinforced lamp grip screw shell

FLUORESCENT

- Programmed Start electronic ballast with end of life protection and universal voltage: 26/32/42w
- One Lamp – CFTR/GX24Q – Triple Tube 4-Pin

LED

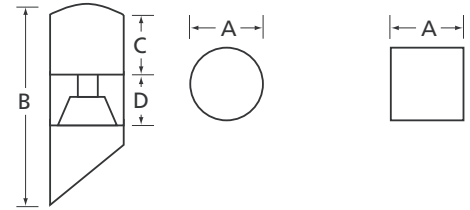
- Universal voltage (120-277V) drivers with +/- 10% tolerance, starting temperature rated at -20°F
- Optional continuous dimming to 10% (0-10V)
- Rotatable LED assembly adjustment for ideal placement and aiming of asymmetric light pattern
- 24 high brightness LEDs at 500 mA deliver symmetric distribution at 62w
- 12 high brightness LEDs at 500 mA deliver asymmetric distribution at 31w
- Available in two color correlated temperatures (3500K and 5100K)
- Long life 50,000 hour L70 rated at 25°C

LISTINGS:

- Listed to UL1598 for use in wet locations

WARRANTY:

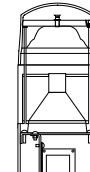
- 5 year limited system warranty



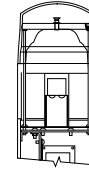
	A	B	C	D	Weight
TMR	7" dia.	41.5"	5.5"	4.0"	41 lbs
	178 mm	1054 mm	140 mm	102 mm	18.6 kg
TMS	6.75" dia.	41.5"	5.5"	4.0"	41 lbs
	171 mm	1054 mm	140 mm	102 mm	18.6 kg



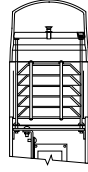
LED - 24LU optics



DO - Dual reflector with cone (standard)



TO - Tube optics



IL - Internal louver

- Features exclusive wiHUBB technology
 - Wireless system for On/Off and 0-10VDC full range dimming control
 - Programmable autonomous operation



ORDERING INFORMATION

ORDERING EXAMPLES: TMR-P50-DO-Q-DB-L, TMS-12LU-5K-U-DB

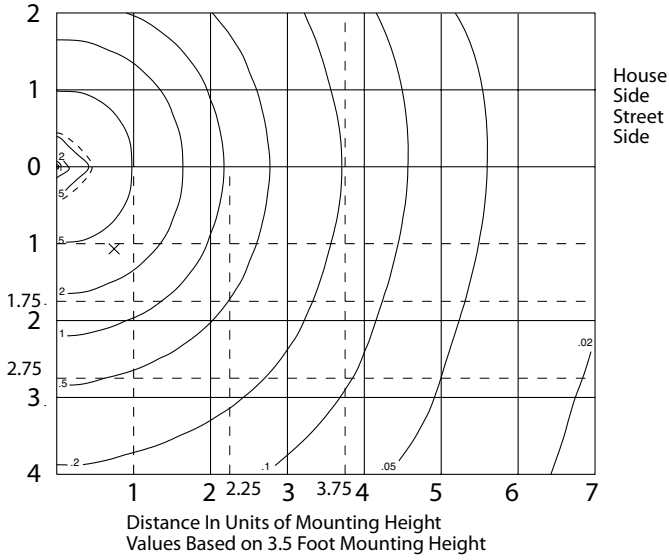
SERIES	SOURCE/WATTAGE/LED	OPTICS ⁷	VOLTAGE	COLOR	OPTIONS
TMR Tempe Round	PULSE START METAL HALIDE	DO Dual reflector with cone (standard)	Q¹ Quad-Tap® 120/208/240/277V	DB Dark Bronze	F(X) Fusing (replace X with voltage: 1-120V, 2-208V, 3-240V, 4-277V
TMS Tempe Square	P50 50w (ED-17)	TO³ Tube optics	T^{1,4} Tri-Tap® 120/277/347V (CSA)	BL Black	F5^{6,8} Fusing 480V
	P70 70w (ED-17)	IL Internal horizontal louvers	U⁵ Universal 120 - 277V, 50/60 Hz	WH White	F6^{6,8} Fusing 347V
	P10 100w (ED-17)		1 120V	GR Gray	P(X) Photo button (replace X with voltage: 1-120V, 2-208V, 3-240V, 4-277V
	HIGH PRESSURE SODIUM		5^{6,8} 480V	PS Platinum Silver	P6^{6,8} Photo button - 347V
	S35² 35w (ED-17)			RD Red (premium color)	DM⁸ Dome top (round only)
	S50 50w (ED-17)			FG Forest Green (premium color)	24 24" luminaire height
	S70 70w (ED-17)			CC Custom Color (consult factory)	30 30" luminaire height
	S10 100w (ED-17)				36 36" luminaire height
	FLUORESCENT				HS90⁸ Internal shield - 90° (FN1 Only)
	F26 26w CFL (G24q Base)				HS160⁸ Internal shield - 160°
	F32 32w CFL (G24q Base)				HS180⁸ Internal shield - 180° (FN2 only)
	F42 42w CFL (G24q Base)				L⁸ Lamp
	LED				CD⁹ Continuous dimming
	12LU-3K 12 LEDs, 31w, asymmetric distribution, 3500K, 120-277V, 50/60 Hz				WIH⁹ In fixture wireless control module, pg. 381
	12LU-5K 12 LEDs, 31w, asymmetric distribution, 5000K, 120-277V, 50/60 Hz				
	24LU-3K 24 LEDs, 62w, symmetric distribution, 3500K, 120-277V, 50/60 Hz				
	24LU-5K 24 LEDs, 62w, symmetric distribution, 5000K, 120-277V, 50/60 Hz				

1 Factory wired for highest voltage unless specified, HID only
 2 120V only
 3 Upper reflector with no lower cone
 4 70 or 100w system only
 5 CFL or LED only
 6 Not available with CFL
 7 Not available with WIH option
 8 Not required with LED units
 9 Dimming function available in LED only

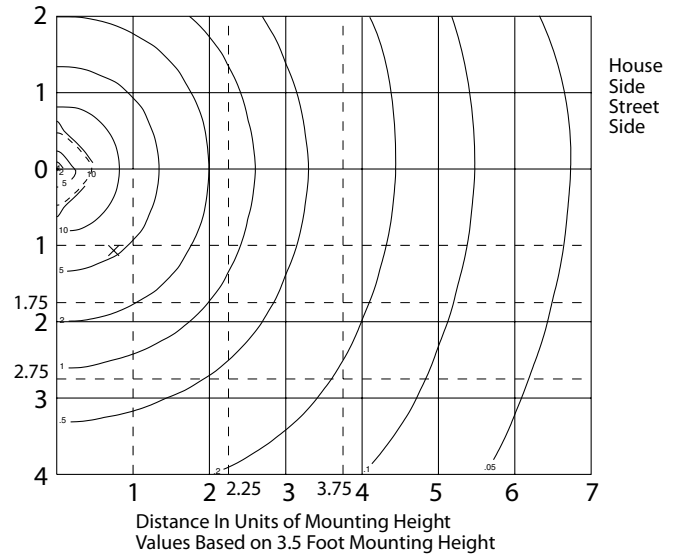
Due to our continued efforts to improve our products, product specifications are subject to change without notice.

PHOTOMETRIC DATA

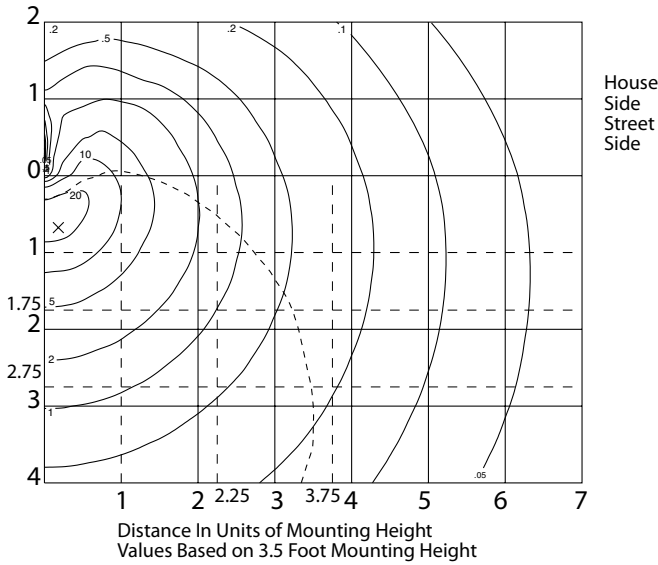
**TMS-12LU-3K: 12LEDS
ASYMMETRIC DISTRIBUTION, 3000K**



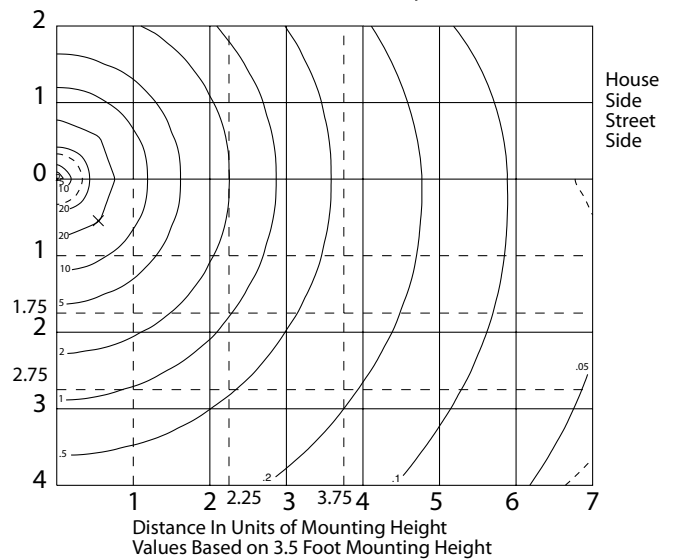
**TMS-24LU-3K: 24LEDS
SYMMETRIC DISTRIBUTION, 3000K**



**TMR-12LU-5K: 12LEDS
ASYMMETRIC DISTRIBUTION, 5000K**



**TMR-24LU-5K: 24LEDS
SYMMETRIC DISTRIBUTION, 5000K**



Due to our continued efforts to improve our products, product specifications are subject to change without notice.



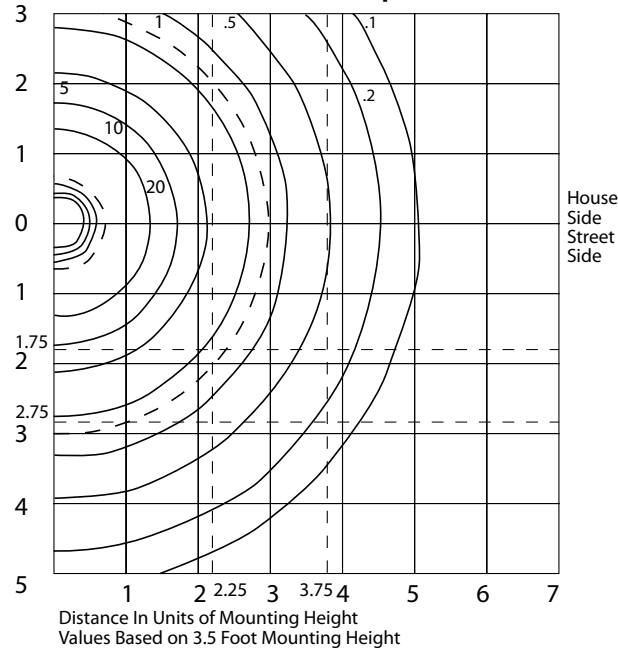
Spaulding Lighting • 701 Millennium Drive • Greenville, SC 29607 • PHONE: 864-678-1000
For more information visit our web site: www.spauldinglighting.com

TECHNICAL DATA

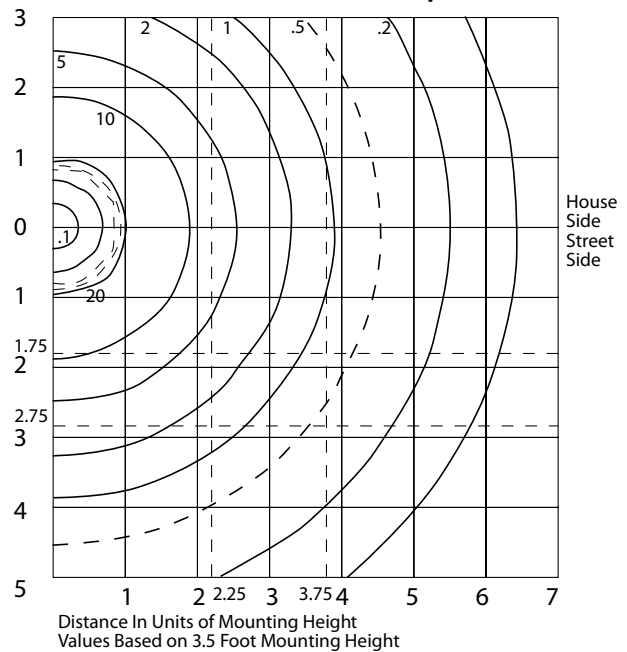
TEMPE BOLLARD ELECTRICAL DATA		Input Current (amps)					
Lamp/Watts	Input Wattage	120V	208V	240V	277V	347V	480V
P50	69	1.20	0.68	0.59	0.51	NA	NA
P70	94	1.90	1.00	0.90	0.80	0.70	NA
P10	129	2.30	1.40	1.20	1.00	1.00	0.60
S35	46	1.40	NA	NA	NA	NA	NA
S50	62	1.00	0.57	0.50	0.45	NA	NA
S70	86	1.40	0.90	0.80	0.70	0.60	NA
S10	115	2.20	1.30	1.10	0.90	0.70	0.60
F42	46	.38	.22	.13	.11	NA	NA

PHOTOMETRIC DATA

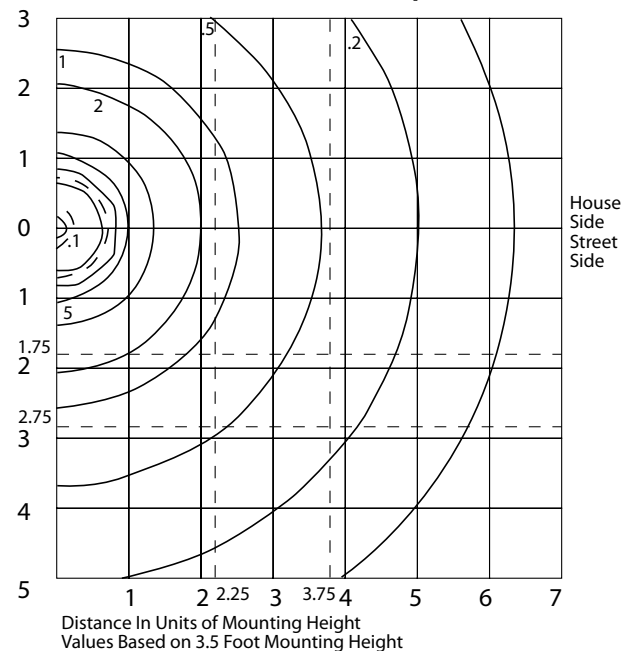
100w PSMH with tube optics



100w PSMH with dual reflector optics



100w PSMH with louvered optics



Due to our continued efforts to improve our products, product specifications are subject to change without notice.



Spaulding Lighting • 701 Millennium Drive • Greenville, SC 29607 • PHONE: 864-678-1000
For more information visit our web site: www.spauldinglighting.com