

WASHINGTON SERIES

Cat. #		Approvals
Job	Type	

SPAULDING LIGHTING

APPLICATIONS

- Ideally suited for parks, walkways, schools, office parking areas, and shopping centers

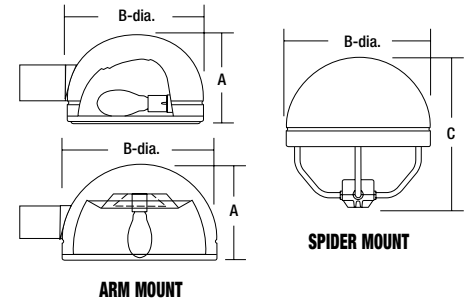
SPECIFICATIONS

- Spun aluminum, round dome-top housing, with narrow decorative reveal. Optional color vinyl trim stripe available
- Cast aluminum door with clear, flat tempered glass lens, fully gasketed to housing. Hinged door secured with captive screws
- Specular, anodized aluminum reflectors for horizontal lamp, provide Type II, III, IV or V square light patterns, and for vertical lamp provide Type III, IV, or V square light patterns. Horizontal Type II and Type III reflectors with WN1 and WN2, and vertical Type V reflector with WN2-VL feature unique, patented micro-faceted designs. Segmented horizontal Type III, vertical Type III and vertical Type V reflectors with WN3. IESNA Full cutoff lighting classification achieved with flat lens

- Extruded aluminum arm required for pole mount. Cast aluminum wall bracket. Pole top luminaire has four aluminum tube arms and cast slipfitter for 2.375" OD tenon
- Mogul porcelain socket, pulse rated, with spring loaded, nickel plated center contact and reinforced lamp grip screw shell. Medium base for ED-17 lamp
- 100-150W LAG type HPF Ballast starting rated at -20°F (-40°F for HPS)
- 175-1000W CWA type HPF Ballast starting rated at -20°F (-40°F for HPS)
- Durable Lektrocote® TGIC thermoset polyester powder coat paint finish assures long life and maintenance-free service

LISTINGS/CERTIFICATIONS

- Listed to UL1598 for use in wet locations
- IDA fixture seal of approval with flat lens



	A	B	C	EPA	Weight
WN1	11.5"	18.0"	23.5"	1.0 ft. ²	40 lbs
	292 mm	457 mm	597 mm	0.1 m ²	18 kg
WN2	14.0"	22.5"	27.25"	1.3 ft. ²	60 lbs
	356 mm	572 mm	692 mm	0.1 m ²	27 kg
WN3	17.5"	26.0"	29.75"	1.8 ft. ²	80 lbs
	445 mm	660 mm	756 mm	0.2 m ²	36 kg

NOTE: EPA and weight values do not include mounting arm
 NOTE: Spider mount adds: WN3 - 0.5 ft.² EPA (5 lbs.), WN2 - 0.3 ft.² EPA (3 lbs.), WN1 - 0.2 ft.² EPA (2 lbs.)

ORDERING INFORMATION

ORDERING EXAMPLE: WN3-A-H1K-H3-F-Q-DB-L

[] - [] - [] - [] - F - [] - []			
SERIES	LAMP ORIENT./DISTR.	LENS	OPTIONS
WN1 Washington 1 (100-175w - H2, H3, H4, H5, V5) WN2 Washington 2 (150-400w - H2, H3, H4, H5) or (150-200w - V4, V5) WN3 Washington 3 (1000w - H3, H4, H5) or (250-400w - V3, V4, V5)	H2 Horiz. II - WN1, WN2 only H3 Horiz. III H4 Horiz. IV H5 Horiz. V (square) V3 Vert. III - WN3 only V4 Vert. IV - WN2, WN3 only V5 Vert. V (square)	F Flat VOLTAGE Q³ Quad-Tap® 120/208/240/277V 5⁵ 480V T³ Tri-Tap® 120/277/347V (CSA)	F(X) Fusing (replace X with voltage: 1-120, 2-208, 3-240, 4-277, 5-480, 6-347) P(X) Photo button (replace X with voltage: 1-120, 2-208, 3-240, 4-277, 6-347) QZ Quartz restrrike with lamp HS Internal house-side shield (flat lens only) VG⁴ Polycarbonate vandal guard RDB Reveal - dark bronze RBL Reveal - black RWH Reveal - white RGR Reveal - gray RPS Reveal - platinum silver RRD Reveal - red RFG Reveal - forest green L Lamp
MOUNT	SOURCE/WATTAGE⁶	COLOR	
A Arm mount (arm not included, order separately) ST⁴ Spider mount (2.375" tenon)	METAL HALIDE H1K 1000w (BT-56) WN3 only SUPER METAL HALIDE MS1K 1000w (BT-56) WN3 only PULSE START METAL HALIDE P10⁵ 100w (ED-17) WN1 only P12 125w (ED-17) WN1 only P15¹ 150w (ED-28) WN1 only P17² 175w (ED-17) WN1, WN2 only P20^{1,2} 200w (ED-17) WN2 only P25 250w (ED-28) WN2 only P32 320w (ED-28) WN2 only P35 350w (ED-28) WN2 only P40 400w (ED-28) WN2/WN3 HIGH PRESSURE SODIUM S10¹ 100w (ED-23.5) WN1 only S15¹ 150w (ED-23.5) WN1, WN2 only S25 250w (ED-18) WN2 only S40 400w (ED-18) WN2 only S1K¹ 1000w (E-25) WN3 only	DB Dark Bronze BL Black WH White GR Gray PS Platinum Silver RD Red (premium color) FG Forest Green (premium color) CC Custom Color (consult factory)	

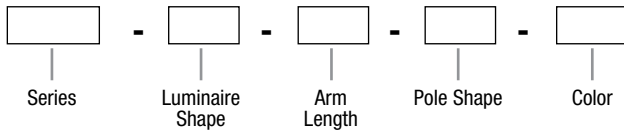
1 Must use medium base ED-17 lamp in vertical units
 2 Vertical lamp only
 3 Factory wired for highest voltage unless specified
 4 Consult factory for VG option with spider mounting
 5 480V not available with 100w PSMH
 6 Ballast assembly ships in separate carton

ARM LOGIC (order separately)

SERIES
ARM Rigid arm
LUMINAIRE SHAPE
W Washington
ARM LENGTH
6 6" Arm (EPA = 0.24 ft. ² , 3.5 lbs) (0.02 m ² , 1.5 kg)
POLE SHAPE
#1 DRILL PATTERN
S Square
R4 Round straight (4.5")
R5 Round straight (5")
R6 Round straight (6")
#2 DRILL PATTERN
T2 Round tapered (2.5")
T3 Round tapered (3")
T35 Round tapered (3.5")
T4 Round tapered & straight (4")
COLOR
DB Dark Bronze
BL Black
WH White
GR Gray
PS Platinum Silver
RD Red (premium color)
FG Forest Green (premium color)
CC Custom Color (consult factory)

ORDERING INFORMATION

ORDERING EXAMPLE ARM: ARM-W-6-S-DB



SERIES

ARM Rigid Arm

LUMINAIRE SHAPE

W Washington

ARM LENGTH

6 6" Arm (EPA=0.24 ft², 3.5 lbs)
(0.02 m², 1.5 kg)

POLE SHAPE

#1 DRILL PATTERN FOR POLE

S Square
R4 Round Straight (4.5")
R5 Round Straight (5")
R6 Round Straight (6")

#2 DRILL PATTERN FOR POLE

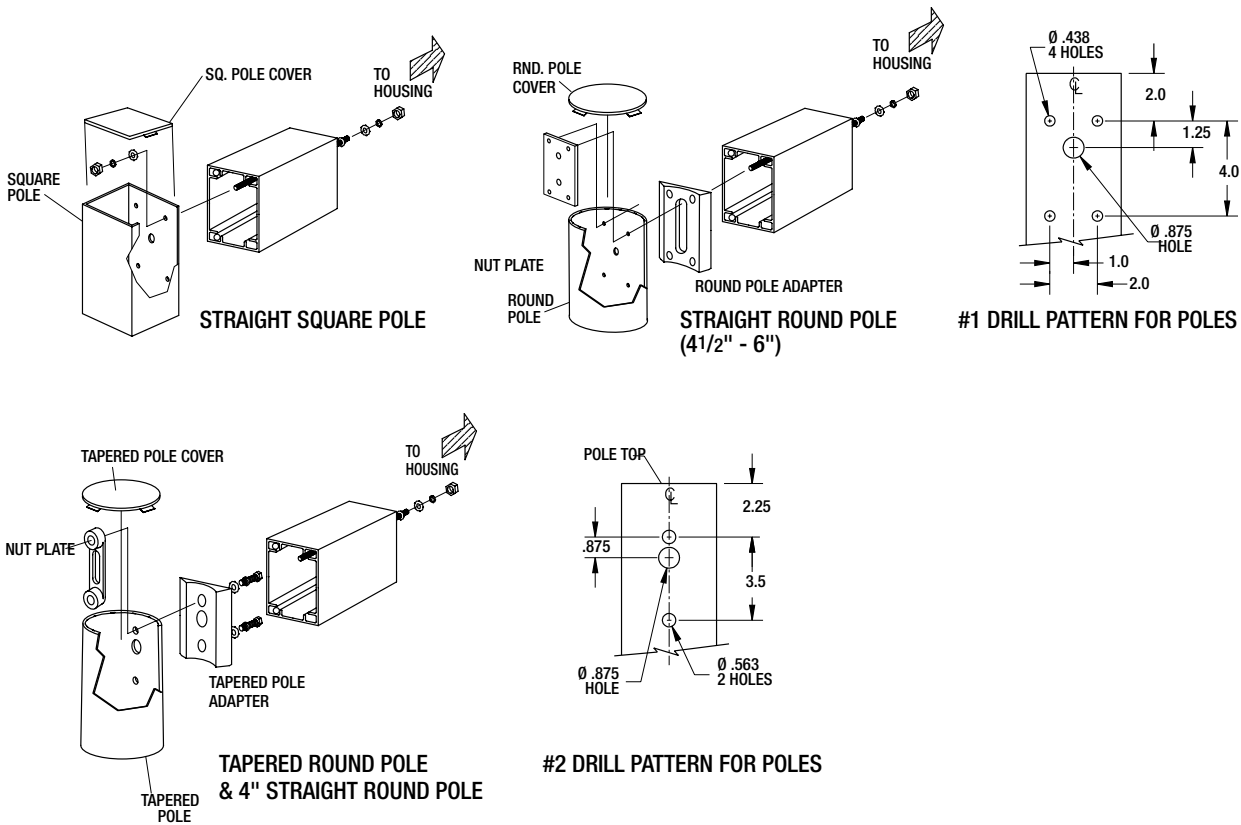
T2 Round Tapered (2.5")
T3 Round Tapered (3")
T35 Round Tapered (3.5")
T4 Round Tapered & Straight (4")

COLOR

DB Dark Bronze
BL Black
WH White
GR Gray
PS Platinum Silver
RD Red (premium color)
FG Forest Green (premium color)
CC Custom Color (consult factory)

WALL BRACKET

WB-R-XX Bracket and 6" arm included
Replace **XX** with color designation



Due to our continued efforts to improve our products, product specifications are subject to change without notice.



Spaulding Lighting • 701 Millennium Drive • Greenville, SC 29607 • PHONE: 864-678-1000
For more information visit our web site: www.spauldinglighting.com

ACCESSORIES

POLE ADAPTERS

RPA4-XX	Round pole adapter for (4.5" round straight dia. pole)
RPA5-XX	Round pole adapter for (5 to 6" round straight dia. pole)
RTPA2.5-XX	Round pole adapter for (2-3/8" to 2-5/8" round tapered dia. pole)
RTPA3-XX	Round pole adapter for (2-3/4" to 3-1/8" round tapered dia. pole)
RTPA3.5-XX	Round pole adapter for (3-1/4" to 3-3/4" round tapered dia. pole)
RTPA4-XX	Round pole adapter for (3-7/8" to 4" round tapered dia. pole)
FEA-2-XX	Triangle steel adapt double @ 120 deg.
FEA-3-XX	Triangle steel adapt triple @ 120 deg.
2-SA-SGL-D-XX	Square steel adapt single
2-SA-D90-XX	Square steel adapt-double @ 90 deg.
2-SA-D180-XX	Square steel adapt-double @ 180 deg.
2-SA-TPL-D90-XX	Square steel adapt-triple @ 90 deg.
2-SA-QD-D-XX	Square steel adapt-quad @ 90 deg.
2-RA-SGL-D-XX	Round steel adapt-single
2-RA-D90-XX	Round steel adapt-double @ 90 deg.
2-RA-D180-XX	Round steel adapt-double @ 180 deg.
2-RA-TPL-D90-XX	Round steel adapt-triple @ 90 deg.
2-RA-TPL-D120-XX	Round steel adapt-triple @ 120 deg.
2-RA-QD-D-XX	Round steel adapt-triple @ 90 deg.
WB-R-XX	Wall Bracket.
CBL-2-XX	Twin parallel luminaire bracket.
8914529	WN1 house side shield.
8914528	DL2 house side shield.
8914548	DL3 house side shield.
PR1	Photo button - 120V
PR2	Photo button - 208V
PR3	Photo button - 240V
PR4	Photo button - 277V
PR6	Photo button - 347V
PBT-1	Photocontrol, button type (120 volt only)
PBT-234	Photocontrol, button type (208-240-277 volts)

Due to our continued efforts to improve our products, product specifications are subject to change without notice.



Spaulding Lighting • 701 Millennium Drive • Greenville, SC 29607 • PHONE: 864-678-1000
For more information visit our web site: www.spauldinglighting.com