

MEDALLION 1 SERIES

Cat. #		Approvals
Job	Type	

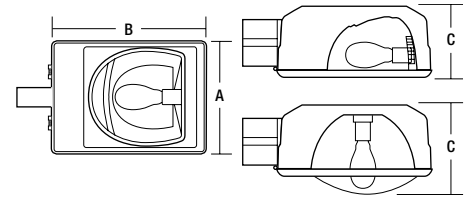
SPAULDING
LIGHTING

APPLICATIONS

- Specification-grade luminaire providing superior uniformity and light control for parking areas, office parks, schools, and walkways.

FEATURES

- Architectural, one-piece die-cast aluminum housing with nominal .125" wall thickness. Contour lines and radius corners complete unique design.
- Die-cast aluminum door hinges to housing and secures with two, captive screws. Clear, flat or convex, tempered glass lens seals to door and housing with one-piece silicone gasketing.
- Specular, anodized aluminum reflectors for horizontal lamp, provide Type II, III, IV, or V square light patterns, and for vertical lamp provide Type IV or V square light patterns. Horizontal Type II, Type III, and vertical Type V reflectors feature unique, micro-faceted designs. IESNA full cutoff lighting classification achieved with flat lens.
- Die-cast aluminum arm for pole mount features access door to facilitate installation. Wall mount available with cast aluminum bracket and arm.
- Mogul porcelain socket, pulse rated, with spring-loaded, nickel-plated center contact and reinforced lamp grip screw shell. Medium base for ED-17 lamp.
- 100-150w lag type, HPF ballast (-20°F (-40°F for HPS).
- 200w-400w CWA type, HPF ballast, starting rated at -20°F (-40°F for HPS).
- Durable Lektrocote® TGIC thermoset polyester powder coat paint finish assures long life and maintenance-free service.



	A	B	C	EPA	Weight
FLAT	16.0"	21.75"	10.0"	1.5 ft. ²	35 lbs
	406 mm	552 mm	254 mm	0.1 m ²	15.9 kg
CONVEX	16.0"	21.75"	13.25"	1.6 ft. ²	37 lbs
	406 mm	552 mm	337 mm	0.2 m ²	16k kg

NOTE: EPA and weight values do not include mounting arm
5" and 6" arms add 0.22 ft.² EPA and 4lbs.
10" arm adds 0.44 ft.² EPA and 5.5lbs.

See back page for shielded values.

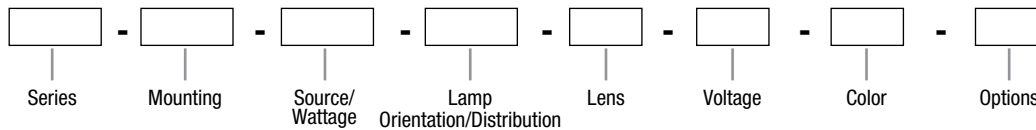
LISTINGS/CERTIFICATIONS

- UL1598 listed for outdoor use in wet locations.
- IDA fixture seal of approval when configured with flat lens.



ORDERING INFORMATION

ORDERING EXAMPLE: CM1-A5-P40-H3-F-Q-DB-L



SERIES

CM1 Medallion 1 Series

MOUNT

- A5** Arm Mount (incl. 5" rigid arm) *not acceptable for 90° configurations*
- A10** Arm Mount (incl. 10" rigid arm)⁷
- AD6** Decorative Arm Mount (includes 6" decorative upswept arm, *not acceptable for 90° configurations*)
- WBA5** Wall Bracket Construction with 5" straight arm
- WBA10** Wall Bracket Construction with 10" straight arm
- WBAD6** Wall Bracket Construction with 6" decorative upswept arm
- MAF** Mast Arm Fitter (for 2 3/8" OD horizontal mast arm)
- 0** No arm or wall bracket (only order w/o arm or wall bracket when mounting component is ordered as an accessory)

WATTAGE/SOURCE

PULSE START METAL HALIDE	
P10	100 watt (ED-17)
P12	125 watt (ED-17)
P15	150 watt (ED-28) ¹
P17	175 watt (ED-28) ^{1,2}
P20	200 watt (T-15) ¹
P25	250 watt (ED-28)
P32	320 watt (ED-28)
P35	350 watt (ED-28)
P40	400 watt (ED-28)
HIGH PRESSURE SODIUM	
S10	100 watt (ED-23.5) ¹
S15	150 watt (ED-23.5) ¹
S25	250 watt (ED-18)
S40	400 watt (ED-18)

LAMP ORIENTATION/DISTRIBUTION

H2	Horizontal II - multi-faceted hydroformed
H3	Horizontal III - multi-faceted hydroformed
H4	Horizontal IV - multi-piece
H5	Horizontal V (square) hydroformed
V4	Vertical IV - multi-piece
V5	Vertical V (square) - multi-faceted hydroformed

LENS

F	Flat ³
C	Convex ²
R	Convex Quick Release ⁶

VOLTAGE

Q	Quad-Tap ⁴ - 120/208/240/277V ⁴
5	480V ⁵
T	Tri-Tap ⁴ - 120/277/347V ⁴ CSA

COLOR

DB	Dark Bronze
BL	Black
WH	White
GR	Gray
PS	Platinum Silver
RD	Red (premium color)
FG	Forest Green (premium color)
CC	Custom Color (consult factory)

OPTIONS

F1	Fusing - 120V
F2	Fusing - 208V
F3	Fusing - 240V
F4	Fusing - 277V
F5	Fusing - 480V
F6	Fusing - 347V
P1	Photo Button - 120V
P2	Photo Button - 208V
P3	Photo Button - 240V
P4	Photo Button - 277V
P6	Photo Button - 347V
PR1	Photo Cell Receptacle - 120V
PR2	Photo Cell Receptacle - 208V
PR3	Photo Cell Receptacle - 240V
PR4	Photo Cell Receptacle - 277V
PR5	Photo Cell Receptacle - 480V
PR6	Photo Cell Receptacle - 347V
RPA2	Round Pole Adapter (2 3/4"-3 1/8")
RPA3	Round Pole Adapter (3 1/4"-3 3/4")
RPA4	Round Pole Adapter (3 7/8"-4 1/2")
RPA5	Round Pole Adapter (5")
RPA6	Round Pole Adapter (6")
QZ	Quartz Restrike with lamp
HS	Internal House Side Shield
RP	Removable Powr-Panl [®]
TL	Touch Latch - tool-free entry (not for ground relamping)
VG	Polycarbonate Vandal Guard
L	Lamp

1 Must use ED-17 lamp for vertical orientation with flat lens.
2 Vertical lamp only.
3 Vertically lamped units available with medium base ED-17 lamps up to 200w PSMH and 150w HPS.
4 Factory wired for highest voltage unless specified.
5 Not available with 100w Pulse Start MH lamp.
6 V4 configurations only for ground relamping. Includes door retention device. We do not offer light changer pole.
7 Required for 90° configurations.

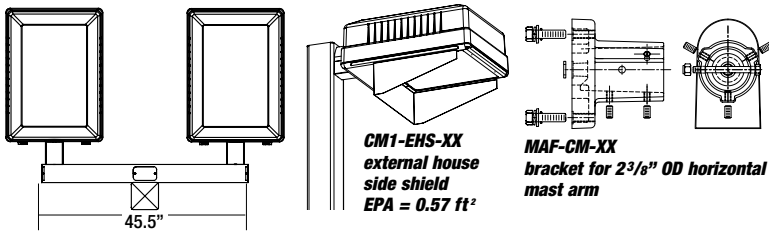
ORDERING INFORMATION

ACCESSORIES (order as separate part #)

Catalog Number	Description
TPLB-XX^{1,2}	Twin Parallel Luminaire Bracket
CM1-EHS-XX²	External House Side Shield
MAF-CM-XX²	Bracket for 2 ³ / ₈ " OD horizontal mast arm
SETA-XX²	Square Pole Tenon Adapter (4 @ 90°) (2 ³ / ₈ "-2 ⁷ / ₈ " OD tenon)
RETA-XX²	Round Pole Tenon Adapter (4 @ 90°) (2 ³ / ₈ "-2 ⁷ / ₈ " OD tenon) (REQUIRES 4" ROUND POLE ADAPTER)
TETA-XX²	Hexagonal Pole Tenon Adapter (3 @ 120°) (2 ³ / ₈ "-2 ⁷ / ₈ " OD tenon)
PTL-1	Photocontrol - Twist-Lock® Cell (120V)
PTL-8	Photocontrol - Twist-Lock® Cell (120-277V)
PTL-5	Photocontrol - Twist-Lock® Cell (480V)
PTL-6	Photocontrol - Twist-Lock® Cell (347V)
PSC	Shorting Cap - Twist-Lock®

¹ Arms, luminaires, and pole not included.

² Replace **XX** with color choice, eg: **DB** for Dark Bronze.



CM1-EHS-XX
external house
side shield
EPA = 0.57 ft²

MAF-CM-XX
bracket for 2³/₈" OD horizontal
mast arm

TPLB-XX
twin parallel luminaire bracket
EPA = 2.3 ft² (4.9 ft² with two CM1
luminaires mounted with 5" arms)

STANDARD ARM DETAIL

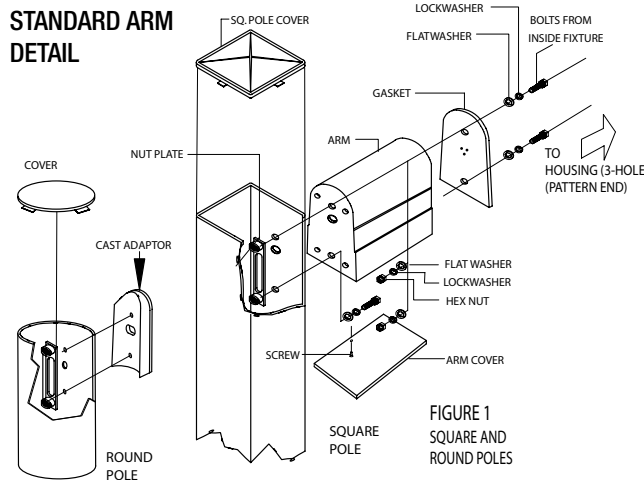
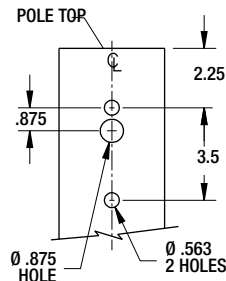


FIGURE 1
SQUARE AND
ROUND POLES

A. ARM MOUNTING INSTALLATION FOR SQUARE AND ROUND POLES



#2 DRILL PATTERN FOR POLES

SHIELDED EPA VALUES

Configuration	Arm Length	
	5"/6"	10"
Single	1.7 ft ²	1.9 ft ²
2 at 90°	N/A	2.8 ft ²
2 at 180°	3.4 ft ²	3.8 ft ²
3 at 90°	N/A	4.5 ft ²
3 at 120°	4.3 ft ²	4.5 ft ²
4 at 90°	N/A	4.5 ft ²

Convex lens adds 0.1ft² EPA for single configurations,
0.2ft² for doubles, 0.3ft² for triples and quads.

SPECIFICATIONS

HOUSING Single-piece die cast aluminum alloy housing having a smooth surface appearance and nominal 0.125" wall thickness for rigid structural support, durability, and heat dissipation of electrical components. Featuring a two-tiered rectilinear housing, arched top, and vertically oriented side ribbing, all corners and edges have a radius corner design. Integral doorframe hinges remain inconspicuous in appearance. Nominal housing dimensions of 16" W x 21.75" L x 10" D (convex lens adds 3.25" depth). Housing to accept optional Twist-Lock® and button-style photocell control equipment. Powder paint finishes standard.

DOOR/LENS Single-piece die cast aluminum alloy doorframe having a smooth surface appearance and nominal 0.125" wall thickness for rigid structural support and durability. Radius doorframe edge smoothly transitions luminaire housing sides to the bottom of the doorframe enclosure. The doorframe assembly remains captive to the housing as it hinges toward the rear of the luminaire when opened for servicing, however can be easily removed. The door assembly when closed fastens to the housing utilizing four points of contact consisting of two corrosion-resistant screws and two inconspicuous integral die cast aluminum hinges. Tool-free touch latch entry available which includes ground re-lamping access on vertically lamped units. Doorframe closure creates positive compression of single-piece silicone gasket. Clear tempered glass enclosure available in both flat and convex designs, which seal to the doorframe with a single-piece silicone gasket. Available doorframe accessories include a three-sided external house side shield (rotatable and painted to match housing color) and clear polycarbonate shielding for glass protection. Powder paint finishes standard.

MOUNTING Single piece die-cast aluminum alloy rigid straight arm having a smooth surface appearance features an arched top and horizontal contour lines to complement the luminaire housing design. Available in both 5" and 10" lengths, all mounting hardware is concealed within the arm assembly and is accessible from an inconspicuous removable door on the lower portion of the casting. The decorative upswept cast aluminum arm features an arched top, 3.25" rise over a 6" length, and removable door on the lower portion of the casting. Luminaire and arm mounting hardware includes 1/2" diameter grade 5 bolts. Multiple cast aluminum adapters are available for round poles ranging from 2³/₄" to 6" in diameter. Wall plate bracket and mast arm fitter for horizontal 2³/₈" OD pipe also available. All mounting components include gasket material to seal between the luminaire housing and mounting accessory. Powder paint finishes standard.

OPTICS Available reflectors include both horizontal and vertically lamped versions. Horizontal configurations include IES type II, III, IV, and V-square distributions and feature a flat lens. Vertical configurations include IES type IV, and V-square distributions and feature a convex lens. IES type V distribution available with flat lens up to 200 watts in select lamp sources (see catalog logic). Flat lens design meets IES Full Cutoff classification standards. Internal and external house side shielding also available.

ELECTRICAL Available HID wattage range of 100 to 400 watts from Metal Halide, Pulse Start Metal Halide, High Output Super Metal Halide, and High Pressure Sodium sources. Optional removable Powr-Parl® to contain quick connects on both ballast and socket leads. Additional options include fusing, photocell cell control, and a quartz restrike lamp.

FINISH TGIC thermoset polyester powder paint finish applied at nominal 2.5-mil thickness. Prior to painting all luminaires and mounting accessories should be thoroughly cleaned with acid and alkaline cleaners followed by the application of a chromate conversion coating.

LISTING/CERTIFICATION UL1598 approved for outdoor use in wet locations.

Due to our continued efforts to improve our products, product specifications are subject to change without notice.

SPAULDING
LIGHTING

Spaulding Lighting • 701 Millennium Drive • Greenville, SC 29607 • PHONE: 864-678-1000

For more information visit our web site: www.spauldinglighting.com

ACCESSORIES

POLE ADAPTERS

ARM-C-5-S-XX	5" rigid straight arm
ARM-C-10-S-XX	10" rigid straight arm
ARM-CRD-6-S-XX	6" rigid upswept arm
CRD-RPA2-XX	Round pole adapter for straight and upswept arm (2-3/4" to 3-1/8" dia. pole)
CRD-RPA3-XX	Round pole adapter for straight and upswept arm (3-1/4" to 3-3/4" dia. pole)
CRD-RPA4-XX	Round pole adapter for straight and upswept arm (3-7/8" to 4-1/2" dia. pole)
CRD-RPA5-XX	Round pole adapter for straight and upswept arm (5" dia. pole)
CRD-RPA6-XX	Round pole adapter for straight and upswept arm (6" dia. pole)
SSS-490-XX²	Square Pole Tenon Adapter (4 @ 90°) (2 ³ / ₈ "-2 ⁷ / ₈ " OD tenon)
RSS-490-XX²	Round Pole Tenon Adapter (4 @ 90°) (2 ³ / ₈ "-2 ⁷ / ₈ " OD tenon) (requires 4" round pole adapter)
RSS-3120-XX²	Round Pole Tenon Adapter (3 @ 120°) (2 ³ / ₈ "-2 ⁷ / ₈ " OD tenon) (requires 4" round pole adapter)
WB-CR-XX	Wall bracket
MAF-CM-XX	Horizontal mast arm fitter for 2-3/8" OD mast arm
TPLB-XX	Twin parallel luminaire bracket
8914527	CM1 internal house side shield
CR1-PVG	Polycarbonate vandal shield
CM1-EHS-XX	External house side (EPA = .57)
PTL-1	(Must use PCR (X) option) Photocontrol - Twistlock cell (120V)
PTL-8	(Must use PCR (X) option) Photocontrol - Twistlock cell (120, 208, 240, 277V)
PTL-5	(Must use PCR (X) option) Photocontrol - Twistlock cell (480V)
PTL-6	(Must use PCR (X) option) Photocontrol - Twistlock cell (347V)
PSC	(Must use PCR (X) option) Shorting Cap - Twistlock
AADM-XX	Adjustable arm, direct mount

Due to our continued efforts to improve our products, product specifications are subject to change without notice.



Spaulding Lighting • 701 Millennium Drive • Greenville, SC 29607 • PHONE: 864-678-1000

For more information visit our web site: www.spauldinglighting.com