

MEDALLION 2 SERIES

Cat. #		Approvals
Job	Type	

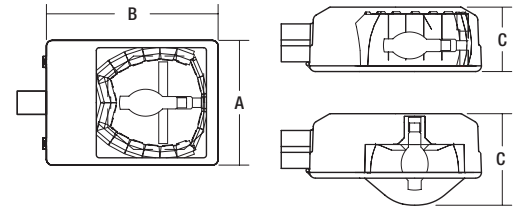
SPAULDING
LIGHTING

APPLICATIONS

- Specification-grade luminaire providing superior uniformity and light control for parking areas, office parks, schools, walkways, and automobile dealerships.

FEATURES

- Architectural, one-piece die-cast aluminum housing with nominal .125" wall thickness. Contour lines and radius corners complete "Southwest Series" look.
- Die-cast aluminum door hinges to housing and secures with two, captive screws. Clear, flat or convex, tempered glass lens seals to door and housing with one-piece silicone gasketing.
- Rotatable, specular, anodized aluminum reflectors for horizontal lamp, provide Type II, III, IV, or V square light patterns, and for vertical lamp provide Type I, III, IV or V square light patterns. IESNA full cutoff lighting classification achieved with flat lens.
- Die-cast aluminum arm for pole mount features access door to facilitate installation. Wall mount available with cast aluminum bracket and arm. Mast arm fitter for 2³/₈" OD horizontal arm available.
- Mogul porcelain socket, pulse rated, with spring-loaded, nickel-plated center contact and reinforced lamp grip screw shell.
- CWA type, HPF ballast, starting rated at -20°F (-40°F for HPS).
- Durable Lektrocote® TGIC thermoset polyester powder coat paint finish assures long life and maintenance-free service.



	A	B	C	EPA	Weight
FLAT	21.38"	29.44"	11.16"	2.6 ft. ²	77 lbs
	543 mm	747 mm	280 mm	0.24 m ²	34.9 kg
CONVEX	21.38"	29.44"	15.75"	2.8 ft. ²	80 lbs
	543 mm	747 mm	400 mm	0.2 m ²	36.3 kg

NOTE: EPA and weight values do not include mounting arm
5" and 6" arms add 0.22 ft.² EPA and 4lbs.
10" arm adds 0.44 ft.² EPA and 5.5lbs.

See back page for shielded values.

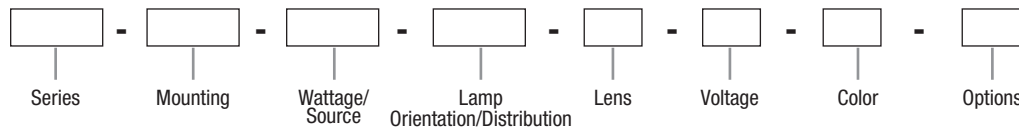
LISTINGS/CERTIFICATIONS

- CSA certified for outdoor use in wet locations.
- IDA fixture seal of approval (flat lens only).



ORDERING INFORMATION

ORDERING EXAMPLE: CM2-A5-H1K-H3P-F-Q-DB-F4



SERIES

CM2 Medallion 2 Series

MOUNTING

A5	Arm Mount (incl. 5" rigid arm, not acceptable for 90° configurations)
A10	Arm Mount (incl. 10" rigid arm) (req'd for 90° configurations)
AD6	Decorative Arm Mount (includes 6" decorative upswept arm, not acceptable for 90° configurations)
WBA5	Wall Bracket Construction with 5" straight arm
WBA10	Wall Bracket Construction with 10" straight arm
WBAD6	Wall Bracket Construction with 6" decorative upswept arm
0	No arm or wall bracket (only order w/o arm or wall bracket when mounting component is ordered as an accessory)

WATTAGE/SOURCE

METAL HALIDE	
H1K	1000 watt (BT-37)
SUPER METAL HALIDE	
MS1K	1000 watt (BT-37)

WATTAGE/SOURCE (con't)

PULSE START METAL HALIDE

P40	400 watt (BT-37)
P45	450 watt (BT-37)
P75	750 watt (BT-37)
P1K	1000 watt (BT-37)

HIGH PRESSURE SODIUM

S40	400 watt (ED-18)
S60	600 watt (T-14) ¹
S75	750 watt (BT-37) ¹
S1K	1000 watt (ED-37)

LAMP ORIENTATION/DISTRIBUTION

H2P	Horizontal II (segmented) ²
H3P	Horizontal III (segmented) ²
H4	Horizontal IV (multi-piece) ²
H4P	Horizontal IV (multi-piece) ²
H5	Horizontal V (square)(hydroformed) ²
H5P	Horizontal V (square)(segmented) ²
V1P	Vertical I (segmented) ³
V3P	Vertical III (segmented) ³
V4	Vertical IV (multi-piece) ^{3,4}
V5P	Vertical V (square)(segmented) ³

LENS

F	Flat
C	Convex

Must specify wiring prep within options.

- 1 Factory wired for highest voltage unless specified.
- 2 Flat lens configurations only.
- 3 Convex lens configurations only.
- 4 V4 optics include HS shield standard.

VOLTAGE

Q	Quad-Tap® - 120/208/240/277V ¹
V	Five-Tap - 120/208/240/277/480V ¹
5	480V
T	Tri-Tap® - 120/277/347V ¹
E	50 Hz - 220/240V (250 & 400W PSMH & HPS only)
0	No Ballast

COLOR

DB	Dark Bronze
BL	Black
WH	White
GR	Gray
PS	Platinum Silver
RD	Red (premium color)
FG	Forest Green (premium color)
CC	Custom Color (consult factory)

OPTIONS

W1	120V Wiring Prep
W2	208V Wiring Prep
W3	240V Wiring Prep
W4	277V Wiring Prep
W5	480V Wiring Prep
W6	347V Wiring Prep
RPA2	Round Pole Adapter (2 ³ / ₄ -3 ¹ / ₈ " ³)
RPA3	Round Pole Adapter (3 ¹ / ₄ -3 ³ / ₄ " ³)
RPA4	Round Pole Adapter (3 ⁷ / ₈ -4 ¹ / ₂ " ³)
RPA5	Round Pole Adapter (5")
RPA6	Round Pole Adapter (6")

OPTIONS (con't)

F1	Fusing - 120V
F2	Fusing - 208V
F3	Fusing - 240V
F4	Fusing - 277V
F5	Fusing - 480V
F6	Fusing - 347V
P1	Photo Button - 120V
P2	Photo Button - 208V
P3	Photo Button - 240V
P4	Photo Button - 277V
P6	Photo Button - 347V
PR1	Photo Cell Receptacle - 120V
PR2	Photo Cell Receptacle - 208V
PR3	Photo Cell Receptacle - 240V
PR4	Photo Cell Receptacle - 277V
PR5	Photo Cell Receptacle - 480V
PR6	Photo Cell Receptacle - 347V
QZ	Quartz Restrike with lamp 150W DC bayonet lamp (not available w/50 hz ballast, 600W HPS or 750W HPS systems)
HS	Internal House Side Shield ^{6,7} (H2P, H3P, H4, H4P distrib.)
RP	Removable Powr-Panl [®]
TL	Touch Latch - tool-free entry (not for ground relamping)
VG	Polycarbonate Vandal Guard
L	Lamp

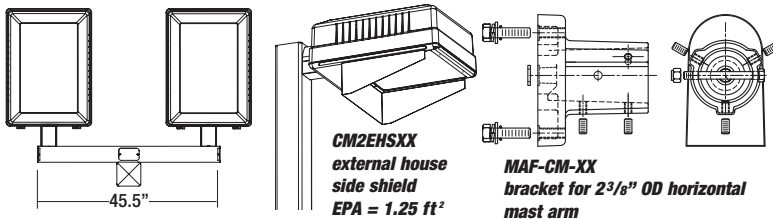
ORDERING INFORMATION

ACCESSORIES (order as separate part #)

Catalog Number	Description
TPLB-XX^{1,2}	Twin Parallel Luminaire Bracket
CM2-EHS-XX²	External House Side Shield
CM2-IHS-HL	Internal House Side Shield (horizontal lamp units)
MAF-CM-XX²	Bracket for 2 ³ / ₈ " OD horizontal mast arm
SETA-XX²	Square Pole Tenon Adapter (4 @ 90°) (2 ³ / ₈ "-2 ⁷ / ₈ " OD tenon)
RETA-XX²	Round Pole Tenon Adapter (4 @ 90°) (2 ³ / ₈ "-2 ⁷ / ₈ " OD tenon) (requires 4" round pole adapter)
TETA-XX²	Hexagonal Pole Tenon Adapter (3 @ 120°) (2 ³ / ₈ "-2 ⁷ / ₈ " OD tenon)
PLT-1	Photocontrol - Twist-Lock® Cell (120V)
PLT-8	Photocontrol - Twist-Lock® Cell (120-277V)
PLT-5	Photocontrol - Twist-Lock® Cell (480V)
PLT-6	Photocontrol - Twist-Lock® Cell (347V)
PSC	Shorting Cap - Twist-Lock®

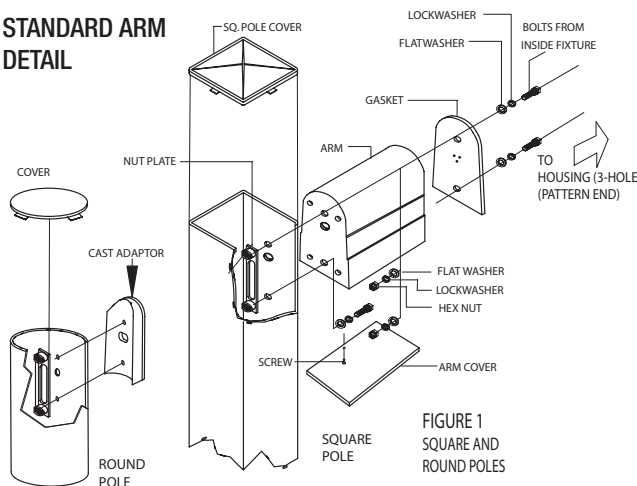
¹ Arms, luminaires, and pole not included.

² Replace **XX** with color choice, eg: **DB** for Dark Bronze.

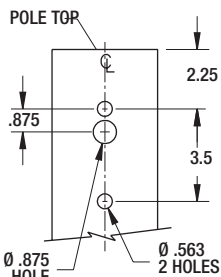


TPLB-XX
twin parallel luminaire bracket
EPA = 2.3 ft² (6.3 ft² with two CM2 luminaires mounted with 5" arms)

STANDARD ARM DETAIL



A. ARM MOUNTING INSTALLATION FOR SQUARE AND ROUND POLES



#2 DRILL PATTERN FOR POLES

SHIELDED EPA VALUES

Configuration	Arm Length	
	5" / 6"	10"
Single	2.8 ft ²	3.0 ft ²
2 at 90°	N/A	4.8 ft ²
2 at 180°	5.6 ft ²	6.1 ft ²
3 at 90°	N/A	7.9 ft ²
3 at 120°	7.4 ft ²	7.9 ft ²
4 at 90°	N/A	7.9 ft ²

Convex lens adds 0.2ft² EPA for single configurations,

SPECIFICATIONS

HOUSING Single-piece die cast aluminum alloy housing having a smooth surface appearance and nominal 0.125" wall thickness for rigid structural support, durability, and heat dissipation of electrical components. Featuring a two-tiered rectilinear housing, chamfered top, and vertically-oriented side ribbing, all corners and edges have a radius corner design. Integral doorframe hinges remain inconspicuous in appearance. Nominal housing dimensions of 21.38" W x 29.44" L x 11.06" D (convex lens adds 4.69" depth). Housing to accept optional Twist-Lock® and button style photocell control equipment. Powder paint finishes standard.

DOOR/LENS Single-piece die cast aluminum alloy doorframe having a smooth surface appearance and nominal 0.125" wall thickness for rigid structural support and durability. Radius doorframe edge smoothly transitions luminaire housing sides to the bottom of the doorframe enclosure. The doorframe assembly remains captive to the housing as it hinges toward the rear of the luminaire when opened for servicing, however can be easily removed. The door assembly when closed fastens to the housing, utilizing four points of contact consisting of two corrosion-resistant screws and two inconspicuous integral die cast aluminum hinges. Tool-free touch latch entry available. Doorframe closure creates positive compression of single-piece silicone gasket. Clear tempered glass enclosure available in both flat and convex designs, which seal to the doorframe with a single-piece silicone gasket. Available doorframe accessories include a three-sided external house side shield (painted to match housing color) and clear polycarbonate shielding for glass protection. Powder paint finishes standard.

MOUNTING Single-piece die cast aluminum alloy rigid straight arm having a smooth surface appearance features an arched top and horizontal contour lines to complement the luminaire housing design. Available in both 5" and 10" lengths, all mounting hardware is concealed within the arm assembly and is accessible from an inconspicuous removable door on the lower portion of the casting. The decorative upswept cast aluminum arm features an arched top, 3.25" rise over a 6" length, and removable door on the lower portion of the casting. Luminaire and arm mounting hardware includes 1/2" diameter grade 5 bolts. Multiple cast aluminum adapters are available for round poles ranging from 2 3/4" to 6" in diameter. Wall plate bracket and mast arm fitter for horizontal 2 3/8" OD pipe also available. All mounting components include gasket material to seal between the luminaire housing and mounting accessory. Powder paint finishes standard.

OPTICS Available reflectors include both horizontal and vertically lamped versions. Horizontal configurations include IES type II, III, IV, and V-square distributions and feature a flat lens design. Vertical configurations include IES type I, III, IV, and V-square distributions and feature a convex lens. All reflectors field rotate in 90° increments. Flat lens design meets IES Full Cutoff classification standards. Internal and external house side shielding available.

ELECTRICAL Available HID wattage range of 400 to 1000 watts from Metal Halide, Pulse Start Metal Halide, High Output Super Metal Halide, and High Pressure Sodium sources. Additional options include fusing, photocell cell control, and a quartz restrike lamp.

FINISH TGIC thermoset polyester powder paint finish applied at nominal 2.5-mil thickness. Prior to painting all luminaires and mounting accessories should be thoroughly cleaned with acid and alkaline cleaners followed by the application of a chromate conversion coating.

LISTING/CERTIFICATION CSA certified for outdoor use in wet locations.

Due to our continued efforts to improve our products, product specifications are subject to change without notice.

SPAULDING
LIGHTING

Spaulding Lighting • 701 Millennium Drive • Greenville, SC 29607 • PHONE: 864-678-1000

For more information visit our web site: www.spauldinglighting.com